

Excellent Integrated System Limited

Stocking Distributor

Click to view price, real time Inventory, Delivery & Lifecycle Information:

[Bel Fuse Inc.](#)
[08B0-1X4T-06-F](#)

For any questions, you can email us directly:
sales@integrated-circuit.com



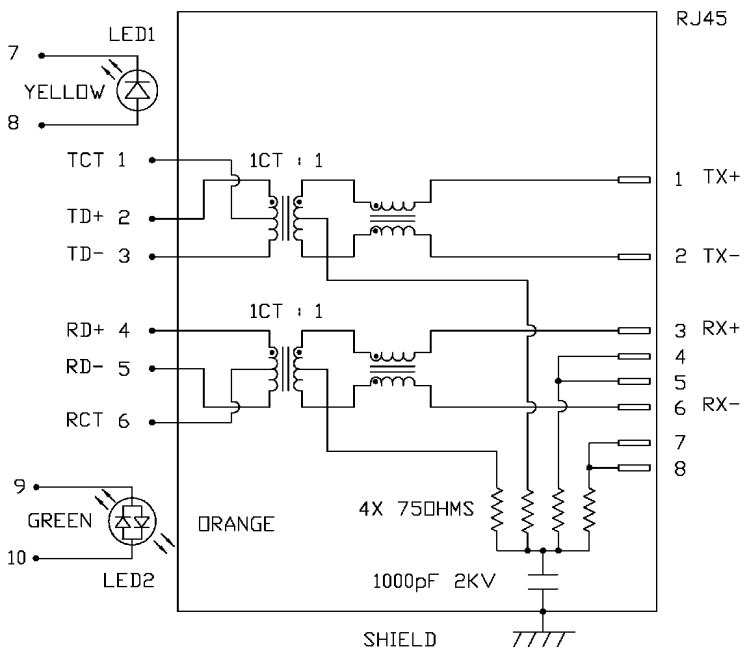
THE INFORMATION CONTAINED HEREIN IS CONSIDERED "PROPRIETARY" TO BEL FUSE INC. AND SHALL NOT BE COPIED, REPRODUCED OR DISCLOSED WITHOUT THE WRITTEN APPROVAL OF BEL FUSE INC.

LED1 POLARITY			LED2 POLARITY		
PIN 7	PIN 8	COLOR	PIN 9	PIN 10	COLOR
-	+	YELLOW	-	+	GREEN
			+	-	ORANGE

ELECTRICAL CHARACTERISTICS @ 25°C

<p>URNS RATIO TX RX OCL @ 100kHz/100mVRMS 8mA DC BIAS INS. LOSS 1MHz TO 100MHz RET. LOSS (MIN) 1MHz-30MHz 30MHz-60MHz 60MHz-80MHz CROSS TALK (TX - RX) 500kHz-1MHz 10 MHz 30 MHz 50 MHz 100 MHz CM TO CM REJ 100kHz-1MHz 10 MHz 30 MHz 60 MHz 100 MHz CM TO DM REJ 100kHz-1MHz 10 MHz 30 MHz 60 MHz 100 MHz HIPOT (Isolation Voltage) LED 1 VF (FORWARD VOLTAGE) λD (DOMINANT WAVELENGTH) LED 2 VF (FORWARD VOLTAGE) λD (DOMINANT WAVELENGTH)</p>	<p>1CT : 1 1CT : 1 350μH MIN. -1.0 dB MAX -18 dB -18+20LOG(F/30MHz) dB -12 dB -70 dB MIN -50 dB MIN -45 dB MIN -40 dB MIN -35 dB MIN -70 dB MIN -47 dB MIN -42 dB MIN -37 dB MIN -30 dB MIN -70 dB MIN -60 dB MIN -50 dB MIN -45 dB MIN -40 dB MIN 1500 Vrms or 2250VDC IF=20mA YELLOW 2.1V TYP. IF=20mA YELLOW 590nm TYP. IF=20mA ORANGE 2.0V TYP. GREEN 2.2V TYP. ORANGE 610nm TYP. GREEN 565nm TYP.</p>
--	--

SCHEMATIC

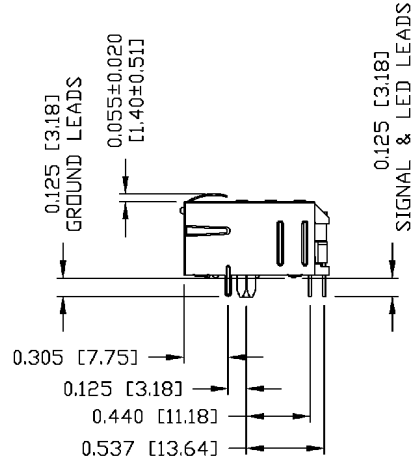
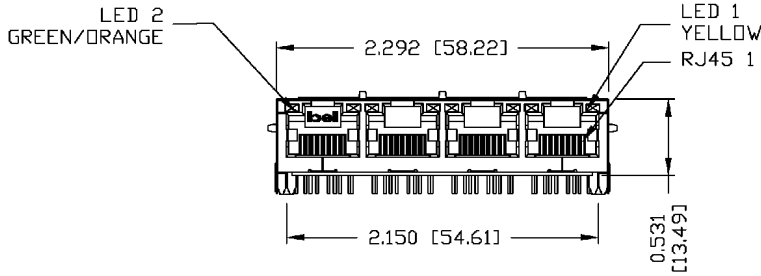
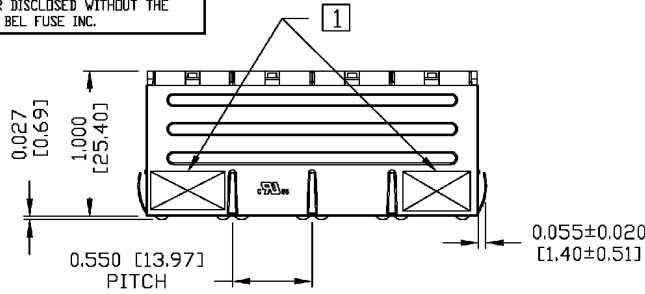


ORIGINATED BY	DATE	TITLE	PART NO. / DRAWING NO.	STANDARD DIM.	[] METRIC DIM. AS REFERENCE
CHUNG	09-09-06	1X4 MagJack®	08B01X4T06-F	TOL. IN INCH	UNIT : INCH [mm] REV. : A
DRAWN BY	DATE	(4 Cores, MDIX, CM Termination)	FILE NAME	.X	SCALE : N/A SIZE : A4
DE	09-09-06	08B0-1X4T-06-F	08B01X4T06-FA.DWG	.XX	⊕ --- PAGE : 2
				.XXX	COMPONENTS ARE A CONNECTED PLANT

DC002(2)032305

This document is electronically generated. This is a controlled copy if used internally

THE INFORMATION CONTAINED HEREIN IS CONSIDERED "PROPRIETARY" TO BEL FUSE INC. AND SHALL NOT BE COPIED, REPRODUCED OR DISCLOSED WITHOUT THE WRITTEN APPROVAL OF BEL FUSE INC.



NOTES:

- PLASTIC HOUSING: THERMOPLASTIC PBT
FLAMMABILITY RATING UL 94V-0
- CONTACTS PLATING: 15 MICRO-INCH HARD GOLD PLATING
- PINS: TIN-COATED COPPER WIRE, DIA 0.018 INCH.
- METAL SHIELD: NICKEL PLATED ON COPPER ALLOY.
(ALL GROUND LEADS ARE SOLDER DIPPED)

- ① MARK PART WITH MFG LOGO, MFG NAME, PART NUMBER, AND DATE CODE.
- UL RECOGNIZED - FILE #E196366 AND E169987.
- RoHS COMPLIANT, PER EU DIRECTIVE 2002/95/EC
- JACK CAVITY CONFORMS TO FCC RULES AND REGULATIONS

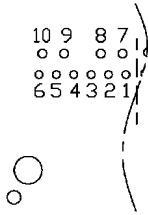
ORIGINATED BY	DATE	TITLE	PART NO. / DRAWING NO.	STANDARD DIM.	[] METRIC DIM. AS REFERENCE	
QIN/BILL	09-09-06	1X4 MagJack®	08B01X4T06-F	TOL. IN INCH	UNIT : INCH [mm]	REV. : A
DRAWN BY	DATE	(4 Cores, MDIX, CM Termination)	FILE NAME	.X	SCALE : N/A	SIZE : A4
TING	09-09-06	08B0-1X4T-06-F	08B01X4T06-FA.DWG	.XX		PAGE : 3
				.XXX		





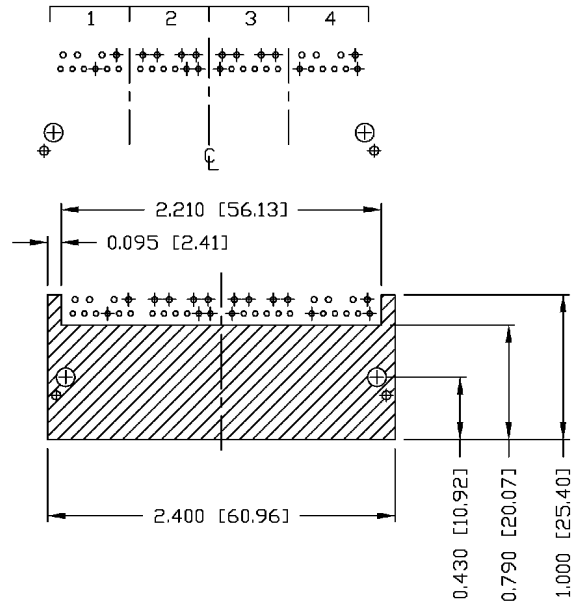
THE INFORMATION CONTAINED HEREIN IS CONSIDERED "PROPRIETARY" TO BEL FUSE INC. AND SHALL NOT BE COPIED, REPRODUCED OR DISCLOSED WITHOUT THE WRITTEN APPROVAL OF BEL FUSE INC.

PIN ASSIGNMENT - EACH PORT
 COMPONENT SIDE VIEW



6	RCT
5	RD -
4	RD +
3	TD -
2	TD +
1	TCT

RECOMMENDED PCB FOOTPRINT
 COMPONENT SIDE VIEW



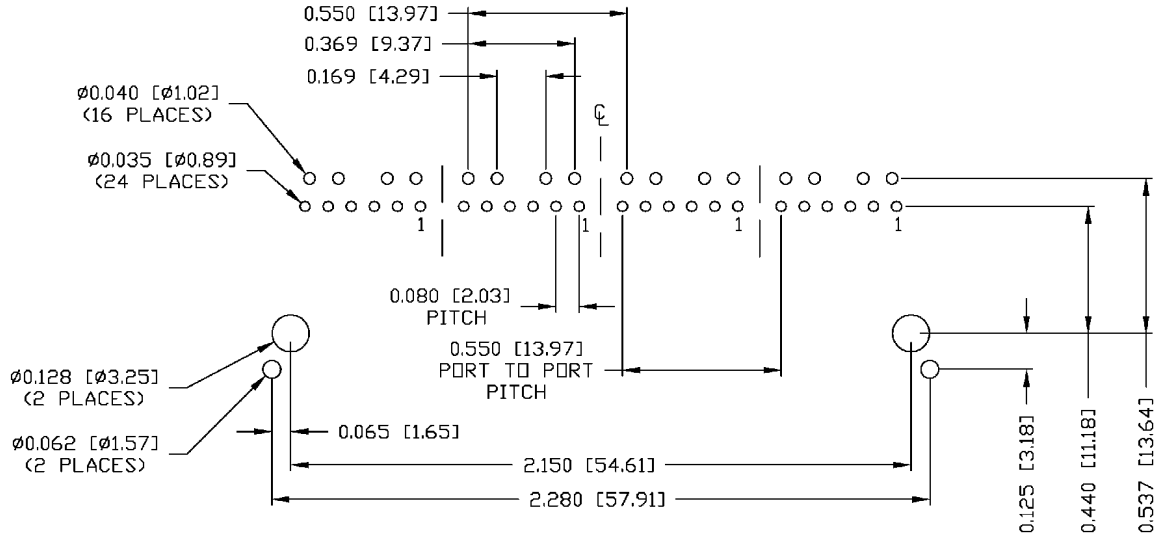
THE SHADED AREA ON THE CUSTOMER BOARD ARE RECOMMENDED TO BE CLEAR OFF ANY VIA HOLE OR COMPONENT PAD.

ORIGINATED BY	DATE	TITLE	PART NO. / DRAWING NO.	STANDARD DIM.	[] METRIC DIM. AS REFERENCE		 COMPONENTS OF A CONNECTED PLANET
QIN/BILL	09-09-06	1X4 MagJack®	08B01X4T06-F	TOL. IN INCH	UNIT : INCH [mm]	REV. : A	
DRAWN BY	DATE	(4 Cores, MDIX, CM Termination)	FILE NAME	.X	SCALE : N/A	SIZE : A4	
TING	09-09-06	08B0-1X4T-06-F	08B01X4T06-FA.DWG	.XX		PAGE : 4	
				.XXX			±0.004



THE INFORMATION CONTAINED HEREIN IS CONSIDERED 'PROPRIETARY' TO BEL FUSE INC. AND SHALL NOT BE COPIED, REPRODUCED OR DISCLOSED WITHOUT THE WRITTEN APPROVAL OF BEL FUSE INC.

RECOMMENDED PCB FOOTPRINT
 COMPONENT SIDE VIEW



ORIGINATED BY QIN/BILL	DATE 09-09-06	TITLE 1X4 MagJack® (4 Cores, MDIX, CM Termination)	PART NO. / DRAWING NO. 08B01X4T06-F	STANDARD DIM. TOL. IN INCH .X .XX .XXX ±0.004	[] METRIC DIM. AS REFERENCE UNIT : INCH [mm] SCALE : N/A	REV. : A SIZE : A4 PAGE : 5	COMPONENTS AS A CONNECTED PLANET
DRAWN BY TING	DATE 09-09-06		FILE NAME 08B01X4T06-FA.DWG				

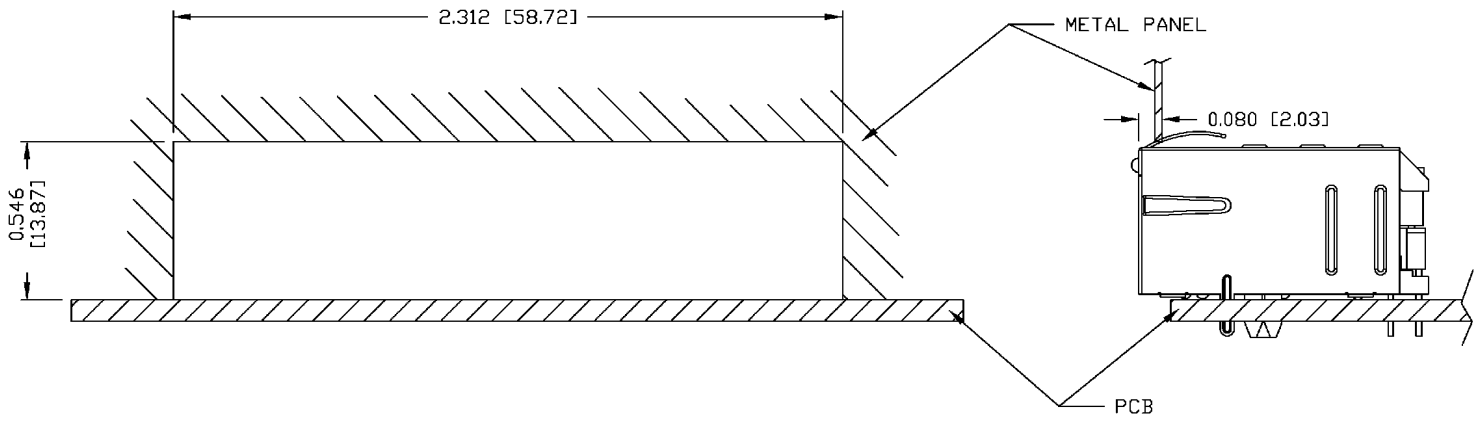
DC002(2)032305

This document is electronically generated. This is a controlled copy if used internally



THE INFORMATION CONTAINED HEREIN IS CONSIDERED "PROPRIETARY" TO BEL FUSE INC. AND SHALL NOT BE COPIED, REPRODUCED OR DISCLOSED WITHOUT THE WRITTEN APPROVAL OF BEL FUSE INC.

SUGGESTED PANEL OPENING



NOTES:

THE DISTANCE OF PANEL INSIDE SURFACE RELATIVE TO FRONT SURFACE OF PART IS ONLY A SUGGESTION. IN CASE THIS DISTANCE IS DIFFERENT, THE REQUIRED PANEL OPENING DIMENSIONS CHANGE ACCORDINGLY.

PACKING INFORMATION

PACKING TRAY : 0200-0148-17
 PACKING QUANTITY : 30 PCS FINISHED GOODS PER TRAY.
 10 TRAYS (300 PCS FINISHED GOODS) PER CARTON BOX.
 NOTE : CARDBOARDS ARE PLACED BETWEEN LAYERS OF PACKING TRAY INSIDE CARTON BOX.
 (INCLUDE THE UPPERMOST AND LOWERMOST TRAY)

ORIGINATED BY	DATE	TITLE	PART NO. / DRAWING NO.	STANDARD DIM.	[] METRIC DIM. AS REFERENCE		 COMPONENTS OF A CONNECTED PLANET
QIN/BILL	09-09-06	1X4 MagJack®	08B01X4T06-F	TOL IN INCH	UNIT : INCH [mm]	REV. : A	
DRAWN BY	DATE	(4 Cores, MDIX, CM Termination)	FILE NAME	.X	SCALE : N/A	SIZE : A4	
TING	09-09-06	08B0-1X4T-06-F	08B01X4T06-FA.DWG	.XX .XXX ±0.004		PAGE : 6	

DC002(2)032305

This document is electronically generated. This is a controlled copy if used internally