

Excellent Integrated System Limited

Stocking Distributor

Click to view price, real time Inventory, Delivery & Lifecycle Information:

[Bel Fuse Inc.](#)
[S558-5999-K6-F](#)

For any questions, you can email us directly:
sales@integrated-circuit.com

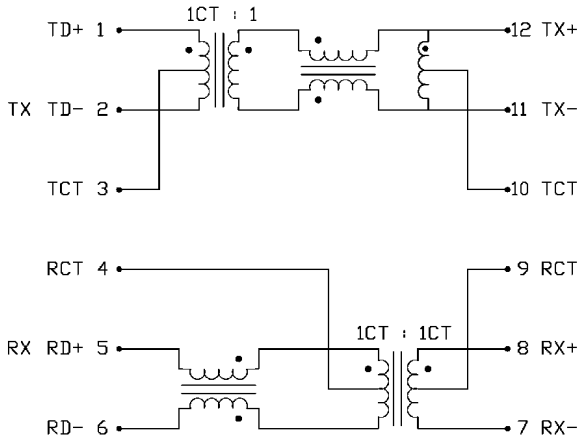
THE INFORMATION CONTAINED HEREIN IS CONSIDERED "PROPRIETARY" TO BEL FUSE INC. AND SHALL NOT BE COPIED, REPRODUCED OR DISCLOSED WITHOUT THE WRITTEN APPROVAL OF BEL FUSE INC.

ELECTRICAL CHARACTERISTICS @ 25°C



TURNS RATIO
 Tx (1-3-2) : (12-11) 1CT : 1
 Rx (5-4-6) : (8-9-7) 1CT : 1CT
 PHASING 1 TO 12 ; 5 TO 8
 OCL
 Tx (12-11) 400uH MIN. @ 100kHz, 100mV
 Rx (8-7) WITH 8mA DC BIAS

SCHEMATIC



INSERTION LOSS
 RECEIVE
 100kHz - 60MHz 0.6dB MAX.
 60MHz - 100MHz 1.0dB MAX.
 100MHz - 140MHz 3.0dB MAX.
 TRANSMIT
 100kHz - 10MHz 0.5dB MAX.
 10MHz - 60MHz 0.6dB MAX.
 60MHz - 100MHz 1.0dB MAX.
 100MHz - 140MHz 3.0dB MAX.
 RETURN LOSS
 UNDER 100 Ohms ±15 ENVIRONMENT
 1MHz - 30MHz 18dB MIN.
 30MHz - 60MHz 16dB MIN.
 60MHz - 80MHz 12dB MIN.
 COMMON TO COMMON MODE REJ
 100kHz - 30MHz 50dB MIN.
 30MHz - 100MHz 30dB MIN.
 CROSSTALK
 100kHz 35dB MIN.
 1MHz 50dB MIN.
 30MHz - 60MHz 40dB MIN.
 100MHz 35dB MIN.
 DIFF TO COM MODE REJ
 30MHz 42dB MIN.
 60MHz 37dB MIN.
 100MHz 33dB MIN.
 200MHz 25dB MIN.

HIPOT PER HAND-WORK-03

ORIGINATED BY	DATE	TITLE	PART NO. / DRAWING NO.	STANDARD DIM.	[] METRIC DIM. AS REFERENCE	 <small>COMPONENTS OF A CONNECTED PLANET</small>	
HO	06-07-05	10/100BT MAGNETICS MODULE	X5585999K6-F	TOL. IN INCH	UNIT : INCH [mm]		REV. : A
DRAWN BY	DATE	S558-5999-K6-F	FILE NAME	.X	SCALE : N/A		SIZE : A4
DQ Chen	06-07-05		X5585999K6FA.DWG	.XX			PAGE : 2

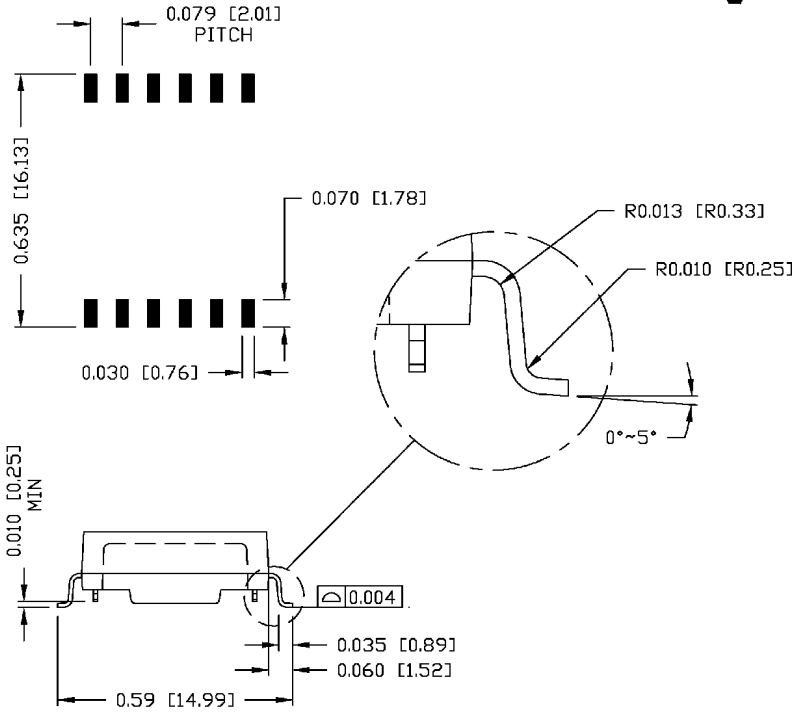
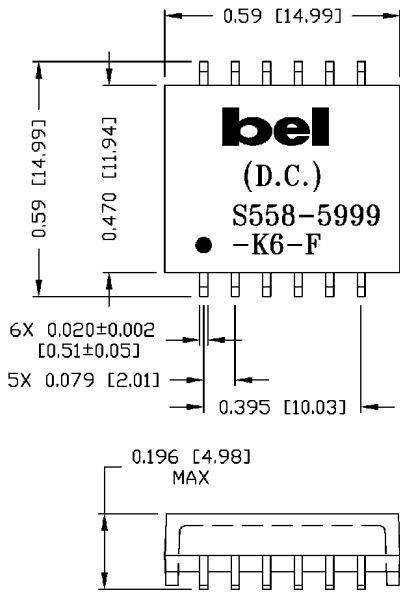
DC002(2)032305

This document is electronically generated. This is a controlled copy if used internally

THE INFORMATION CONTAINED HEREIN IS CONSIDERED 'PROPRIETARY' TO BEL FUSE INC. AND SHALL NOT BE COPIED, REPRODUCED OR DISCLOSED WITHOUT THE WRITTEN APPROVAL OF BEL FUSE INC.



SUGGESTED PCB PAD LAYOUT



NOTES:

- STANDARD MARKING REFER TO DOC. HAND-WORK-04.
- PACKAGE CODE: 'RTS001'.

ORIGINATED BY	DATE	TITLE	PART NO. / DRAWING NO.	STANDARD DIM. TOL. IN INCH	[] METRIC DIM. AS REFERENCE	 COMPONENTS OF A CONNECTED PLANET	
HO	06-07-05	MECHANICAL OUTLINE	X5585999K6-F	X	UNIT : INCH [mm]		REV. : A
DRAWN BY	DATE	S558-5999-K6-F	FILE NAME	.XX ±0.01	SCALE : N/A		SIZE : A4
DQ Chen	06-07-05	X5585999K6FA.DWG		.XXX ±0.005	SCALE : N/A		PAGE : 3

DC002(2)032305

This document is electronically generated. This is a controlled copy if used internally