

Excellent Integrated System Limited

Stocking Distributor

Click to view price, real time Inventory, Delivery & Lifecycle Information:

[Bel Fuse Inc.](#)
[S558-5999-K9-F](#)

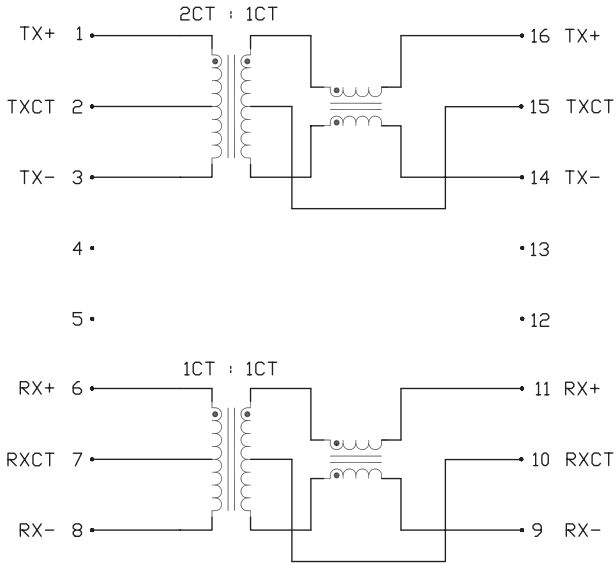
For any questions, you can email us directly:
sales@integrated-circuit.com

THE INFORMATION CONTAINED HEREIN IS CONSIDERED "PROPRIETARY" TO BEL FUSE INC. AND SHALL NOT BE COPIED, REPRODUCED OR DISCLOSED WITHOUT THE WRITTEN APPROVAL OF BEL FUSE INC.



ELECTRICAL SPECIFICATIONS @25°C

SCHEMATIC



URNS RATIO	
Tx 1-2-3 : 16-15-14	2CT : 1CT
Rx 6-7-8 : 11-10-9	1CT : 1CT
POLARITY	PER DOT CONVENTION
QCL	350μH MIN. @100kHz, 100mVrms WITH 8mA DC BIAS
(16-14) : (11-9)	
LEAKAGE INDUCTANCE, Le	300nH MAX.
(16-14) short (1-3)	@1MHz, 20mVrms
(11-9) short (6-8)	
INTERWINDING CAPACITANCE, C_{ww}	25pF MAX.
(1-3) TO (16-14)	@1MHz, 20mVrms
(6-8) TO (11-9)	
INSERTION LOSS	1.2dB MAX
300kHz-100MHz	
RETURN LOSS	16dB MIN
300kHz-30MHz	16-20 LOG(f/30MHz) dB MIN
30MHz-60MHz	10dB MIN
60MHz-80MHz	
CROSSTALK	35dB MIN
300kHz-100MHz	
CM TO CM REJ.	30dB MIN
300kHz-100MHz	
CM TO DM REJ.	40dB MIN
300kHz-100MHz	
HIPDT	PER HAND-WORK-03

ORIGINATED BY	DATE	TITLE	PART NO. / DRAWING NO.	STANDARD DIM.	[] METRIC DIM. AS REFERENCE		 COMPROMISED A CONNECTED PLANET
CHAN CH	08-04-09	ELECTRICAL SPECIFICATION S558-5999-K9-F	X5585999K9-F	TOL. IN INCH	UNIT : INCH [mm]	REV. : B	
DRAWN BY	DATE		FILE NAME	.X	SCALE : N/A	SIZE : A4	
JM CHEN	08-04-09	X5585999K9F.B.DWG	.XX		PAGE : 2		
			.XXX				

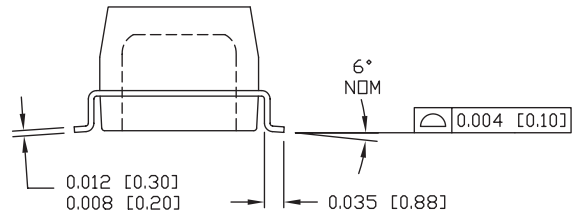
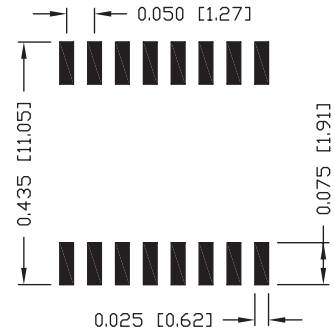
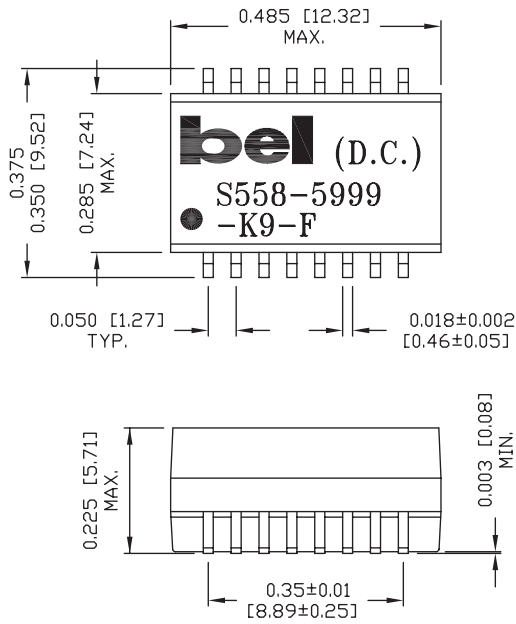
DC002(2)051509

This document is electronically generated. This is a controlled copy if used internally

THE INFORMATION CONTAINED HEREIN IS CONSIDERED "PROPRIETARY" TO BEL FUSE INC. AND SHALL NOT BE COPIED, REPRODUCED OR DISCLOSED WITHOUT THE WRITTEN APPROVAL OF BEL FUSE INC.



SUGGESTED PCB PAD LAYOUT



NOTES:

1. STANDARD MARKING REFER TO DOC. HAND-WORK-04.
2. PACKAGE CODE: "QBS001".

ORIGINATED BY	DATE	TITLE	PART NO. / DRAWING NO.	STANDARD DIM. TOL. IN INCH	[] METRIC DIM. AS REFERENCE	 COMPONENTS ARE CONNECTED PLANET	
CHAN CH	08-04-09	MECHANICAL OUTLINE	X5585999K9-F	.X	UNIT : INCH [mm]		REV. : B
DRAWN BY	DATE	S558-5999-K9-F	FILE NAME	.XX ±0.01 .XXX ±0.005	SCALE : N/A		SIZE : A4
JM CHEN	08-04-09		X5585999K9F.B.DWG			PAGE : 3	

DC002(2)051509

This document is electronically generated. This is a controlled copy if used internally