

Excellent Integrated System Limited

Stocking Distributor

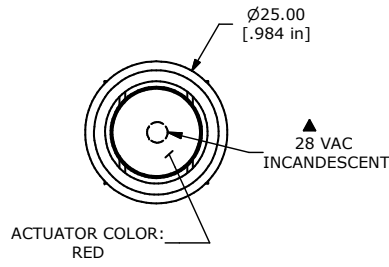
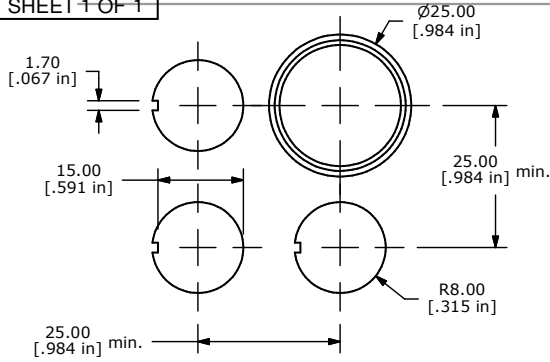
Click to view price, real time Inventory, Delivery & Lifecycle Information:

[E-Switch](#)
[MDP16OAR3103R](#)

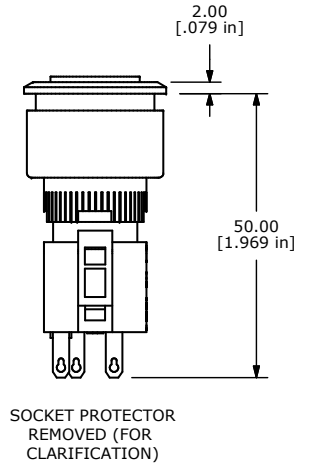
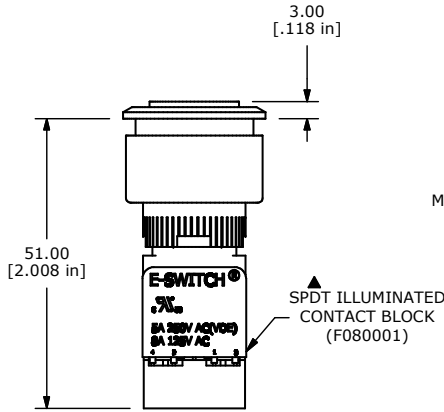
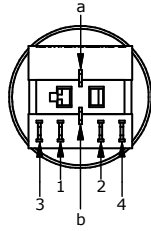
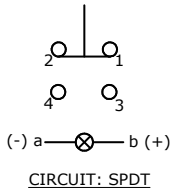
For any questions, you can email us directly:

sales@integrated-circuit.com

SHEET 1 OF 1



ISOMETRIC



- NOTE:
1. ALL DIMENSIONS IN MM [INCH]
 2. GENERAL TOLERANCE: X.X=±0.4 X.XX=±0.25
 3. TERMINAL NUMBERS FOR REF ONLY
 - ▲ 4. RATING: UL: 5A @ 250VAC; 8A @ 125VAC
 5. INSULATION RESISTANCE: 50 MEGA-OHMS (INITIAL)
 - ▲ 6. ELECTRICAL LIFE: 30,000 MAKE-AND-BREAK CYCLES min.
 7. CONTACT MATERIAL: SILVER
 8. PANEL THICKNESS RANGE: 0.50 - 5.00 mm
 9. OPERATING TEMP.: -25°C to 55°C
 10. STORAGE TEMP.: -40°C to 70°C
 11. ▲ DENOTES CRITICAL PARAMETER.
 12. 2002/95/EC (ROHS) COMPLIANT
 13. PACKAGING: SHIPPED SEPARATELY IN BULK
 14. LAMP: 28VAC INCANDESCENT
 15. DEGREE OF PROTECTION: IP65

E-SWITCH [®]			
TITLE MDP16OAR3103R			
SCALE	DATE	DR	DWG
1.25 : 1	2/11/2010	BLR	XF0812P
REV	BY	REV	BY
A	BLR	A	BLR

THE INFORMATION CONTAINED IN THIS DOCUMENT IS PROPRIETARY TO E-SWITCH AND IS NOT TO BE COPIED OR TRANSFERRED