

## Excellent Integrated System Limited

Stocking Distributor

Click to view price, real time Inventory, Delivery & Lifecycle Information:

[Phoenix Contact](#)  
[1762754](#)

For any questions, you can email us directly:

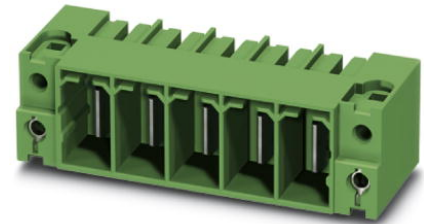
[sales@integrated-circuit.com](mailto:sales@integrated-circuit.com)



Extract from the online catalog

## PC 35 HC/ 3-GF-15,00

Order No.: 1762754



<http://eshop.phoenixcontact.de/phoenix/treeViewClick.do?UID=1762754>

Header, Nominal current: 125 A, Nom. voltage: 1000 V, Pitch: 15 mm,  
 Number of positions: 3, Color: green, Assembly: Soldering

### Commercial data

EAN	4046356441025
Pack	25 pcs.
Customs tariff	85366990
Weight/Piece	0.07152 KG
Catalog page information	Page 442 (CC-2009)

<http://www.download.phoenixcontact.com>  
 Please note that the data given here has been taken from the online catalog. For comprehensive information and data, please refer to the user documentation. The General Terms and Conditions of Use apply to Internet downloads.

### Technical data

#### Dimensions / positions

Pitch	15 mm
Dimension a	30 mm
Number of positions	3

#### Technical data

Insulating material group	IIIa
Rated surge voltage (III/3)	8 kV
Rated surge voltage (III/2)	8 kV
Rated surge voltage (II/2)	8 kV
Rated voltage (III/2)	1000 V

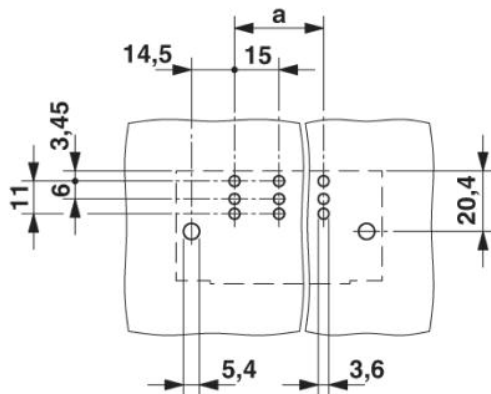
PC 35 HC/ 3-GF-15,00 Order No.: 1762754

<http://eshop.phoenixcontact.de/phoenix/treeViewClick.do?UID=1762754>

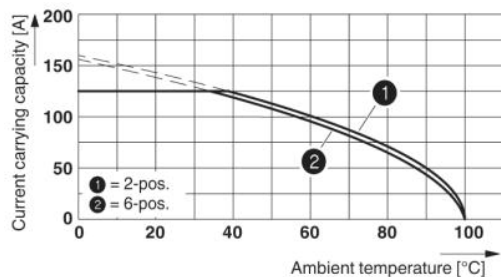
Rated voltage (II/2)	1000 V
Nominal current $I_N$	125 A
Nominal voltage $U_N$	1000 V
Maximum load current	125 A
Insulating material	PBT
Inflammability class acc. to UL 94	V0

### Diagrams/Drawings

Drilling plan/solder pad geometry

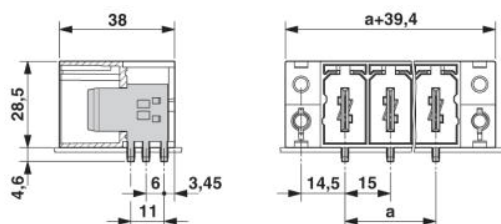


Diagram



Type: PC 35 HC/...-STF-15,00 with PC 35 HC/...-GF-15,00

Dimensioned drawing



PC 35 HC/ 3-GF-15,00 Order No.: 1762754

<http://eshop.phoenixcontact.de/phoenix/treeViewClick.do?UID=1762754>

---

**Address**

PHOENIX CONTACT Inc., USA  
586 Fulling Mill Road  
Middletown, PA 17057, USA  
Phone (800) 888-7388  
Fax (717) 944-1625  
<http://www.phoenixcon.com>



© 2010 Phoenix Contact  
Technical modifications reserved;