

## Excellent Integrated System Limited

Stocking Distributor

Click to view price, real time Inventory, Delivery & Lifecycle Information:

[Comair Rotron](#)  
[19020190A](#)

For any questions, you can email us directly:  
[sales@integrated-circuit.com](mailto:sales@integrated-circuit.com)

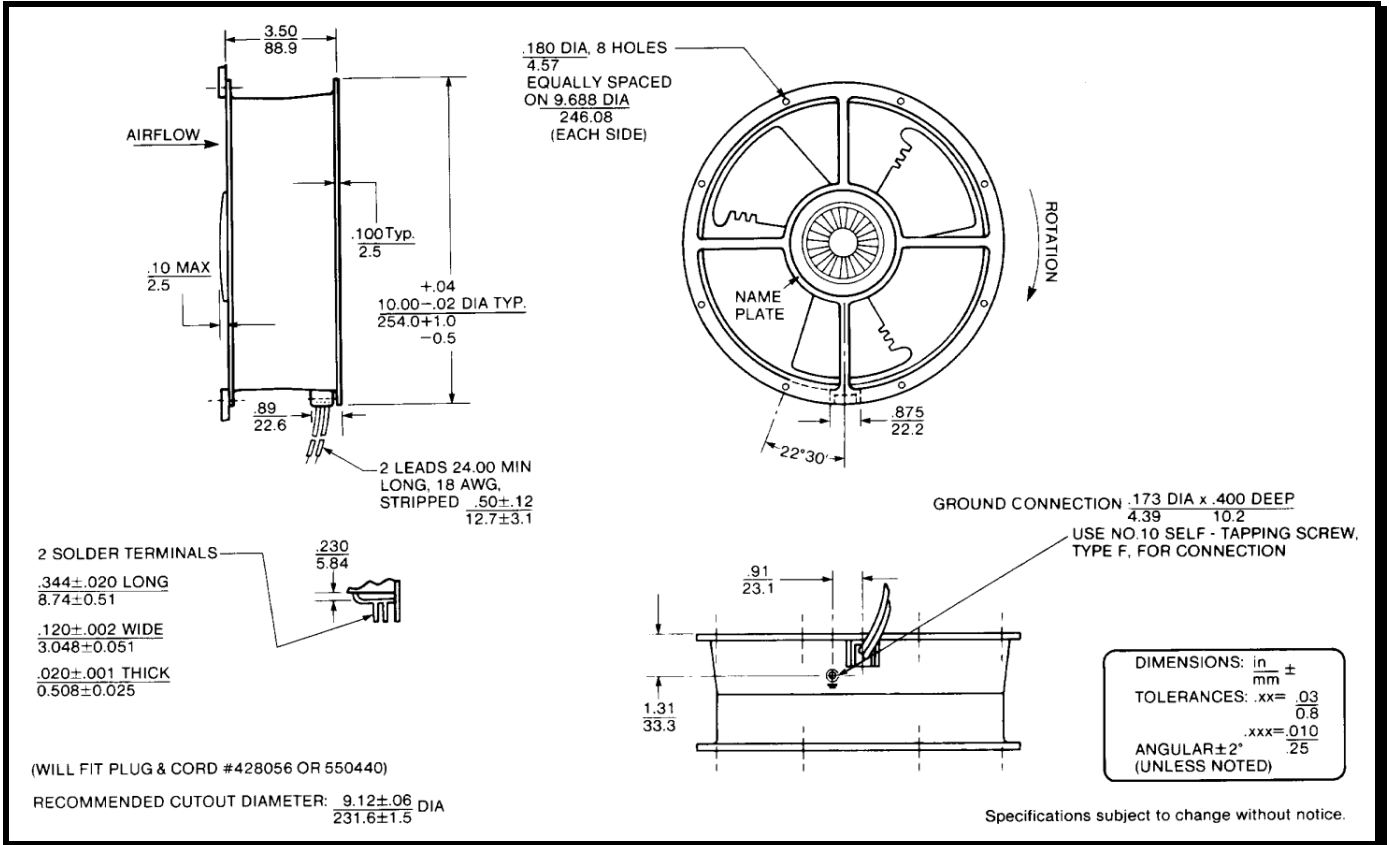
**SPECIFICATIONS**  
(RoHS Compliant)



**Model Number:** CLE3L2  
**Part Number:** 19020190A  
**SPEC Number:** 26013853A02

Jan 24, 2013

**Mechanical Drawing:**



**Motor:**

Frequency = 50/60 Hz  
 Nominal Voltage = 220/230 vac  
 Nominal Running Current = 0.240 / 0.250 amps  
 Max. Locked Rotor Current = 0.355 amps  
 Running Power = 34 watts  
 Average Speed = 1400/1650 RPM  
 Bearings = Ball  
 Air Flow = 455/550 CFM  
 Acoustic: = 45.4/49.2 dBA

**Construction:**

Venturi: Aluminum, Black  
 Propeller: Plastic, Black, UL 94V-0

**Life Expectancy:**

This fan is designed for continuous duty life of 54,000 hours at 40°C.

**Additional Features:**

Permanent Split Capacitor  
 Class B Insulation  
 Operating Temperature: -30°C to 60°C  
 Storage Temperature: -40°C to 85°C  
 Automatic Restart Thermal Protector

**Termination:**

24" Lead wires, 18 AWG

**Agency Approvals:**

UL, CE