

Excellent Integrated System Limited

Stocking Distributor

Click to view price, real time Inventory, Delivery & Lifecycle Information:

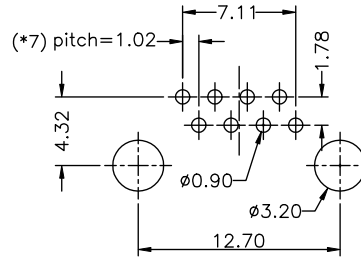
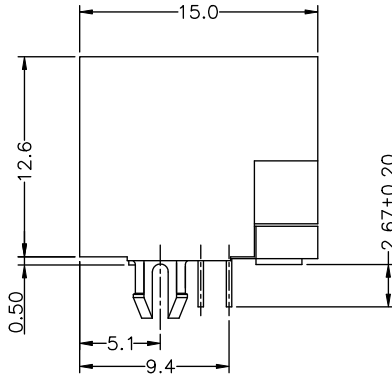
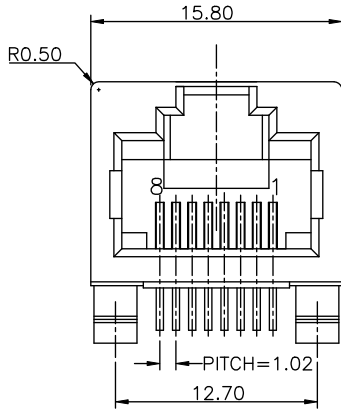
[Pulse Electronics Corporation](#)
[E5J88-00LJG5-L](#)

For any questions, you can email us directly:

sales@integrated-circuit.com

A1RFRD10

REVISION RECORD				
REV	ECO	DESCRIPTION	DRFT	CHKD



PC Board Thickness=1.60mm
PC Board Layout Component Side Shown

NOTES:

ELECTRICAL:

- VOLTAGE RATING : 125 VAC RMS.
- CURRENT RATING : 1.5 AMP.
- CONTACT RESISTANCE : 30 MILLIOHMS MAX.
- INSULATION RESISTANCE: 1000 MEGOHMS MIN @ 500 VDC.
- DIELECTRIC STRENGTH : 1000 VAC RMS 60Hz, 1MIN.
- OPERATING: 750 CYCLES MIN.

MECHANICAL:

- HOUSING MATERIAL : FR52 UL94V-0. COLOR-BLACK.
- INSERT MATERIAL : FR52 UL94V-0. COLOR-BLACK.
- CONTACT MATERIAL : PHOSPHOR BRONZE 0.35mm THICKNESS.
- PLATING : GOLD PLATING OVER NICKEL.
- PCB RETENTION PRE-SOLDER : 1 LB MIN.
- PCB RETENTION POST-SOLDER: 10 LBS MIN.

ENVIRONMENTAL:

- STORAGE : -40°C TO +85°C.
- OPERATION: 0°C TO 70°C.
- WAVE SOLDERING TEMPERATURE: 255~265°(5~10 SECONDS)
MATES WITH MODULAR PLUG CONFORMING TO
FCC PART 68, SUBPART F.

PART NUMBER: E 5J 8 8 - 0 0 L J G X-L

00-W/O SHIELD&LED
JG-W/O LOGO FR52 STAMPED PIN

PLATING: 1-3u" 4-30u"
2-6u" 5-50u"
3-15u"

TOLERANCES EXCEPT AS NOTED .0 ± 0.20 .00 ± 0.15 .000 ± 0.075	MM	±	
	MM	±	
	MM	±	
	MM	±	
ANGLES ±			
THIRD ANGLE PROJECTION			
DFTO PETERS	DATE 03/30/05	FULL RISE ELECTRONIC CO., LTD	
CHKD JAW	DATE 2005/3/31	TITLE	
MFO	DATE	LED JACK UTP W/O LED	
APPLUSHENG	DATE 2005/3/31	DRAWING NO. GE5J3A16-LA	
MATERIAL :		/PART NO. SEE NOTE	
QTY :		DO NOT SCALE DRAWING	
FINISH :		SHEET 1 OF 1	
SCALE : 4:1		SIZE A3 REV 0	

8 | 7 | 6 | 5 | 4 | 3 | 2 | 1