

Excellent Integrated System Limited

Stocking Distributor

Click to view price, real time Inventory, Delivery & Lifecycle Information:

[Pulse Electronics Corporation](#)

[PE-68283NLT](#)

For any questions, you can email us directly:

sales@integrated-circuit.com

DC/DC CONVERTER TRANSFORMER

Small Footprint, Low Profile, SMT Package



- Key to cost effective alternative for Modular DC/DC Converters
- Design flexibility: positive, negative, or \pm supplies possible with a single transformer design
- Auto-placeable
- Can be used regulated or unregulated

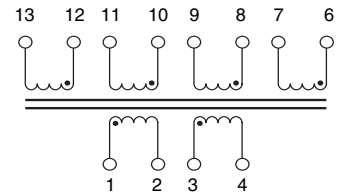
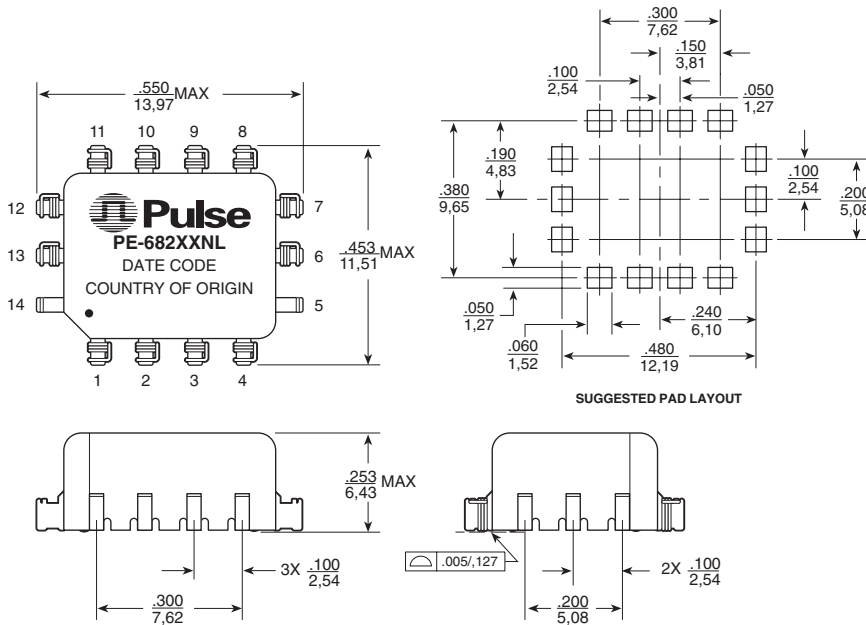
Electrical Specifications @ 25°C — Operating Temperature -40°C to 130°C

Part Number	Input Voltage (Vin)	Output Voltage (Vo)	Efficiency (NOM)	Output (I/O MIN)	Output Load (I/O MAX)	Hi-Pot Regulation
PE-68279NL	11.5 to 12.5	9V nom	75%	80 mA /200 mA	$\pm 5\%$	1500 Vrms
PE-68283NL	4.75 to 5.25	9V nom	72%	80 mA /200 mA	$\pm 5\%$	1500 Vrms

NOTE: Add suffix "T" to part number for Tape & Reel package (i.e. PE-68279T).

Mechanical

Schematic



Weight 1.0 grams
 Tape & Reel500/reel
 Tube40/tube

Dimensions: $\frac{\text{Inches}}{\text{mm}}$
 Unless otherwise specified, all tolerances are $\pm \frac{.005}{0,13}$

For More Information:

<p>Pulse Worldwide Headquarters 12220 World Trade Dr. San Diego, CA 92128 U.S.A. www.pulseeng.com</p>	<p>Pulse Europe Einsteinstrasse 1 D-71083 Herrenberg Germany</p>	<p>Pulse China Headquarters B402, Shenzhen Tech-Innovation International Tenth Kejinan Rd. High-Tech Industrial Park Nanshan District, Shenzhen China</p>	<p>Pulse North China Room 1503 XinYin Building No. 888 YiShan Rd. Shanghai 200233 China</p>	<p>Pulse South Asia 150 Kampong Ampat #07-01/02 KA Centre Singapore 368324</p>	<p>Pulse North Asia No. 26 Kao Ching Rd. Yang Mei Chen Tao Yuan Hsien Taiwan, R. O. C.</p>
<p>Tel: 858 674 8100 Fax: 858 674 8262</p>	<p>Tel: 49 7032 7806 0 Fax: 49 7032 7806 12</p>	<p>Tel: 86 755 33966678 Fax: 86 755 33966700</p>	<p>Tel: 86 21 54643211/2 Fax: 86 21 54643210</p>	<p>Tel: 65 6287 8998 Fax: 65 6280 0080</p>	<p>Tel: 886 3 4641811 Fax: 886 3 4641911</p>

Performance warranty of products offered on this data sheet is limited to the parameters specified. Data is subject to change without notice. Other brand and product names mentioned herein may be trademarks or registered trademarks of their respective owners. © Copyright, 2007. Pulse Engineering, Inc. All rights reserved.