

## Excellent Integrated System Limited

Stocking Distributor

Click to view price, real time Inventory, Delivery & Lifecycle Information:

[Pulse Electronics Corporation](#)  
[B8845NL](#)

For any questions, you can email us directly:

[sales@integrated-circuit.com](mailto:sales@integrated-circuit.com)

# XDSL SPLITTER FILTER MODULE

## B8845NL

SmartER Series



# Pulse

A TECHNITROL COMPANY



- ⊕ POTS and ISDN CO splitter for standard ADSL / VDSL2 applications
- ⊕ LPF compliant with ETSI specification TS 101-952-1-4, v1.1.1 matched to DT Complex Impedance ( $Z_R = 220 \Omega + 820 \Omega / 115 \text{ nF}$ ) and ISDN 4B3T
- ⊕ Part of a standard series with footprint compatibility
- ⊕ For ADSL, ADSL2+, VDSL, and VDSL2 applications
- ⊕ Compliant with Broadband Forum TR-127 standard for VDSL2 applications
- ⊕ Patented technology US7598837, US7598839, CN1667763, EP1644943, TWI316724, CA2531599

### Electrical Specifications @ 25°C

PARAMETER	FREQUENCY	
ISDN Impedance	1 kHz to 80 kHz	150 $\Omega$
ISDN Insertion Loss	1 kHz to 60 kHz	1.2 dB MAX
	60 kHz to 80 kHz	2.0 dB MAX
ISDN Return Loss	1 kHz to 60 kHz	16 dB MIN
	60 kHz to 80 kHz	14 dB MIN
POTS Impedance	200 Hz to 4 kHz	( $Z_R = 220 \Omega + 820 \Omega / 115 \text{ nF}$ )
POTS Insertion Loss	@ 1 kHz	1.0 dB MAX
POTS Insertion Loss Distortion	200 Hz to 4 kHz	1.0 dB MAX
POTS Return Loss	300 Hz to 1.6 kHz	15 dB MIN
	1.6 kHz to 3.4 kHz	12 dB MIN
POTS Group Delay Distortion	200 Hz to 4 kHz	<200 $\mu\text{S}$
Longitudinal Balance	50 Hz to 30 kHz	40 dB MIN
	30 kHz to 1104 kHz	50 dB MIN
	1104 kHz to 30 MHz	30 dB MIN
xDSL Insertion Loss	138 kHz to 150 kHz	55 dB MIN
	150 kHz to 1.1 MHz	65 dB MIN
	1.1 MHz to 30 MHz	55 dB MIN
ISDN Group Delay Distortion	1 kHz to 80 kHz	<20 $\mu\text{S}$
Metering Pulses	12 kHz and 16 kHz	3 dB MAX
DC Current		80 mA MAX
Total DC Resistance		5.8 $\Omega$ MAX

Mechanical and schematic on following page . . .

# XDSL SPLITTER FILTER MODULE

## B8845NL

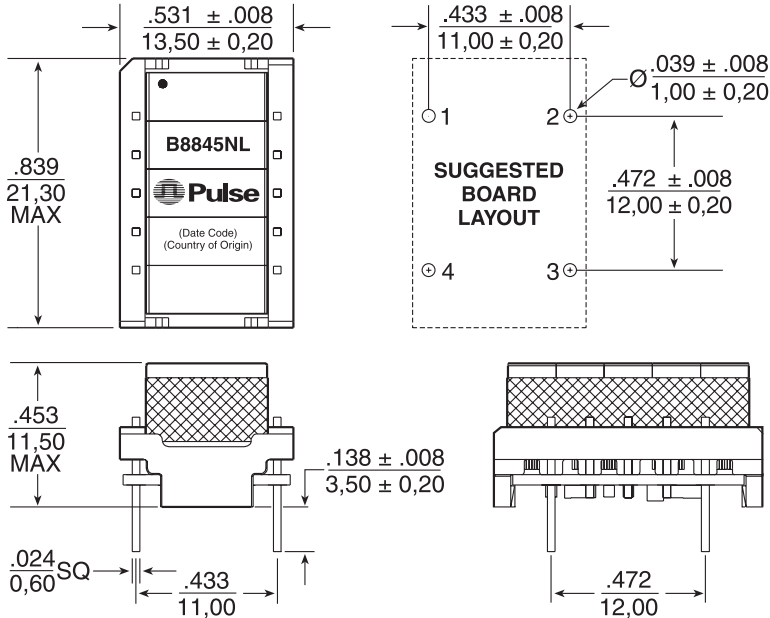
SmartER Series



**Pulse**  
 A TECHNITROL COMPANY

### Mechanical

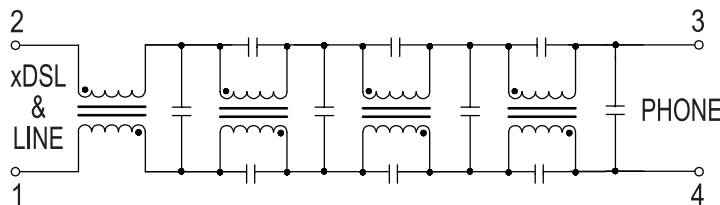
#### B8845NL



Weight ..... 8.0 grams  
 Tray ..... 80/tray  
 Dimensions:  $\frac{\text{Inches}}{\text{mm}}$   
 Unless otherwise specified,  
 all tolerances are  $\pm \frac{.010}{0,25}$

### Schematic

#### B8845NL



### For More Information:

**Pulse Worldwide Headquarters**  
 12220 World Trade Dr.  
 San Diego, CA 92128  
 U.S.A.

**Pulse Europe**  
 Zeppelinstrasse 15  
 D-71083 Herrenberg  
 Germany

**Pulse China Headquarters**  
 B402, Shenzhen Academy of  
 Aerospace Technology Bldg.  
 10th Kejian Rd.  
 High-Tech Zone  
 Nanshan District  
 Shenzhen, PR China 518057

**Pulse North China**  
 Room 2704/2705  
 Super Ocean Finance Ctr.  
 2067 Yan An Rd. West  
 Shanghai 200336  
 China

**Pulse South Asia**  
 135 Joo Seng Rd.  
 #03-02  
 PM Industrial Bldg.  
 Singapore 368363

**Pulse North Asia**  
 3F, No. 198  
 Zhongyuan Rd.  
 Zhongli City  
 Taoyuan County 320  
 Taiwan R. O. C.

**www.pulseeng.com**  
 Tel: 858 674 8100  
 Fax: 858 674 8262

Tel: 49 7032 7806 0  
 Fax: 49 7032 7806 135

Tel: 86 755 33966678  
 Fax: 86 755 33966700

Tel: 86 21 62787060  
 Fax: 86 2162786973

Tel: 65 6287 8998  
 Fax: 65 6287 8998

Tel: 886 3 4356768  
 Fax: 886 3 4356823 (Pulse)  
 Fax: 886 3 4356820 (FRE)

Performance warranty of products offered on this data sheet is limited to the parameters specified. Data is subject to change without notice. Other brand and product names mentioned herein may be trademarks or registered trademarks of their respective owners.

© Copyright, 2010. Pulse Engineering, Inc. All rights reserved.