

Excellent Integrated System Limited

Stocking Distributor

Click to view price, real time Inventory, Delivery & Lifecycle Information:

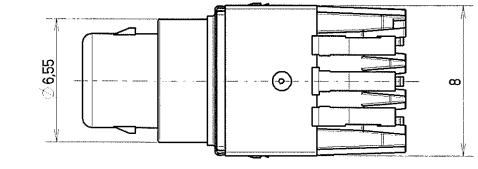
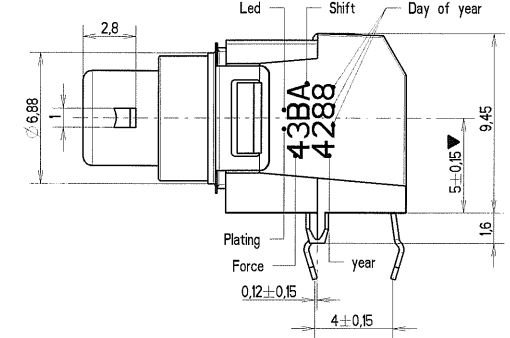
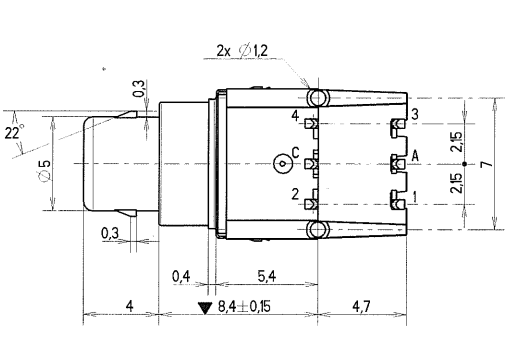
[C&K Components](#)

[K5V2WX43T](#)

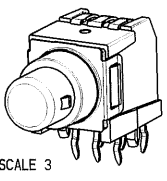
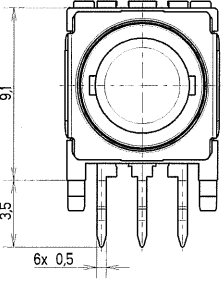
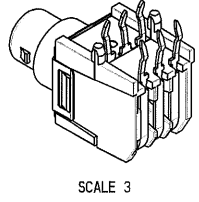
For any questions, you can email us directly:

sales@integrated-circuit.com

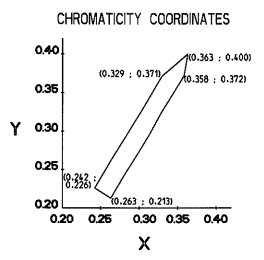
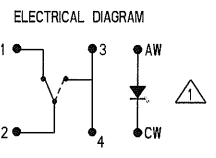
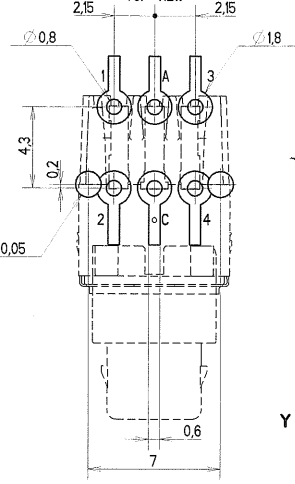
1
2
3



NOTE : Be careful for this version ; static electricity can damage the LED.
- 2 - For product characteristics , see product specification P5-K5V-033.



RECOMMENDED PCB LAYOUT (WITH HOLES)



PART NUMBER	DESIGNATION	CODE	LED COLOR	TEST CONDITIONS (mA)	LUMINOUS INTENSITY (mcd) Min / Typ / Max. If : 20 mA	MAX VOLTAGE (V)	MAX CURRENT (mA)	INTERNAL CONTACTS PLATING	SMT TERMINAL PLATING
71 343 2B1 FP	K5V2WX43T	43B	WHITE	20	480 / 990 / 1500	4	30	Au	Au

MATIERE	TRAITEMENT	PROTECTION
SANS INDIQUE : COTES DONNEES AVANT PROTECTION SAUVURES ET ARETES VIVES SUPPRIMEES	TOL LINEAIRE ± 0.1 TOL ANGULAIRE ± 1 ETAT DE SURFACE Ra	DIMENSIONS CRITIQUES 2 DIMENSIONS SPC 0
DESSINE JUPILE P DATE 24/09/2009	ANALYSE N TAB. FAM. N PROVE O	LANGAGE E
VERIFE DATE		
APPROUVE KUBAT L. DATE 26/03/2003	REMPLECE	
G&K C&K Components	PROJECTION 1ER DEDRE ECHELLE 5,000	DESIGNATION K5V 2WX43 T
SYSTEM CONFIDENTIAL	TAILLE A3 PEUILLE 1 / 1	NUMERO CU 71 343 2B1 FP

CE PLAN ET LES REPRESENTATIONS DES ETATS PEUVENT ETRE REPRODUITS OU COMMUNIQUE SANS SON AUTORISATION