

Excellent Integrated System Limited

Stocking Distributor

Click to view price, real time Inventory, Delivery & Lifecycle Information:

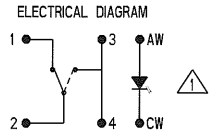
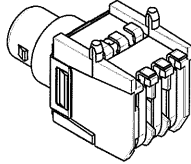
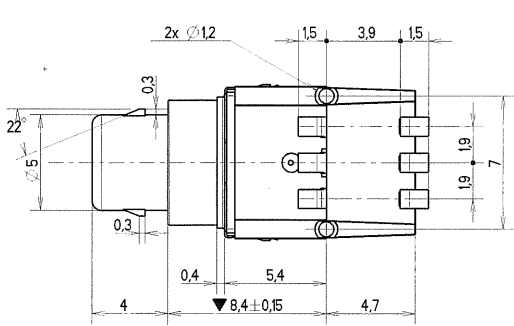
[C&K Components](#)

[K5V2WX43G](#)

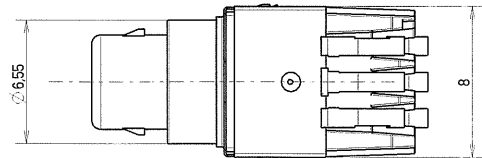
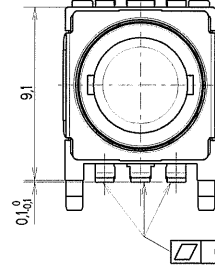
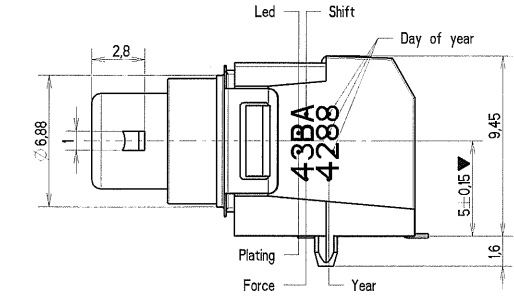
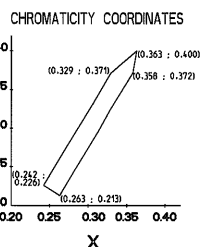
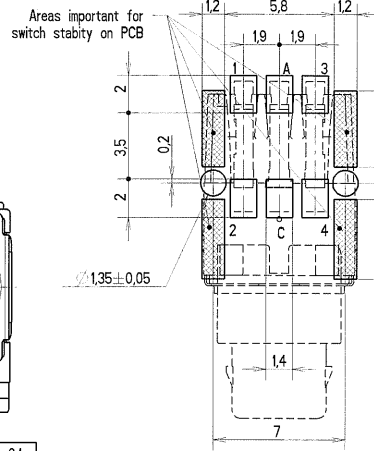
For any questions, you can email us directly:

sales@integrated-circuit.com

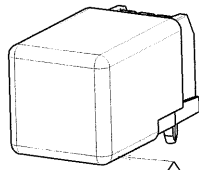
REV.	N° DCR	NATURE DE LA MODIFICATION	DATE	VISA
------	--------	---------------------------	------	------



RECOMMENDED PCB LAYOUT (WITH HOLES)
TOP VIEW



PART NUMBER	DESIGNATION	CODE	LED COLOR	TEST CONDITIONS (mA)	LUMINOUS INTENSITY (mcd) Min. / Typ. / Max. If 20 mA	MAX VOLTAGE (V)	MAX CURRENT (mA)	INTERNAL CONTACTS PLATING	SMT TERMINAL PLATING
71 343 1B1 FP	K5V2WX43G	43B	WHITE	20	480 / 990 / 1500	4	30	Au	Au



SCALE 3

NOTE :
1. Be careful for this version : static electricity can damage the LED.
2. For product characteristics , see product specification PS-K5V-033.
3. Delivered with a protector for Lead Free reflow sheet processes.

MATERIE		TRAITEMENT		PROTECTION	
SAUF INDIQUE : COTES DONNEES AVANT PROTECTION SAUVRES ET ARETES VIVES SUPPRIMEES		TOL LINEAIRE ± 0.1	TOL ANGULAIRE ± 1	DIMENSIONS CRITIQUES 2	
DESSINE	DATE	ANALYSE	ETAT DE SURFACE	DIMENSIONS SPC 0	
JUPILE P	24/09/2009	N	Ra	LANGUE E	
VERIFE	DATE	PROJECTION 1ER DEDRE	REPLACE		
APPROUVE	DATE	ECHELLE	DESIGNATION		
KUBAT L	24/05/2003	5,000	K5V 2WX43 G		
SYSTEM CONFIDENTIAL		TAILLE	FEUILLE	NUMERO	REV
BP 359 - 39105 Dole - FRANCE -		A3	1 / 1	CU	71 343 1B1 FP

CE PLAN EST LA PROPRIETE DE C&K COMPONENTS SAS ET NE PEUT ETRE REPRODUIT OU COMMUNIQUE SANS SON AUTORISATION