

Excellent Integrated System Limited

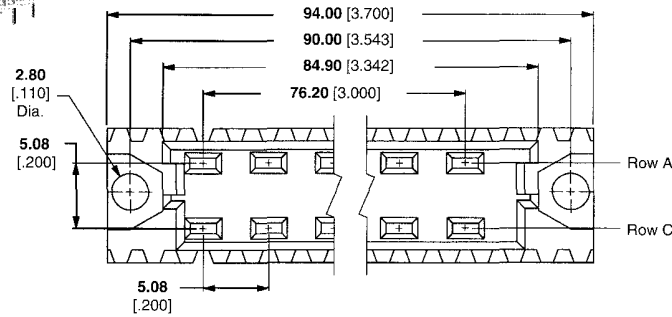
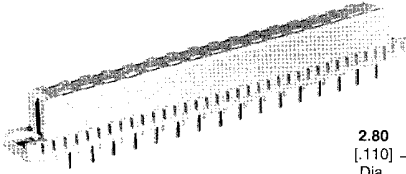
Stocking Distributor

Click to view price, real time Inventory, Delivery & Lifecycle Information:

[TE Connectivity AMP Connectors](#)
[106779-4](#)

For any questions, you can email us directly:
sales@integrated-circuit.com

Type D Vertical Receptacle Assemblies with Solder Posts for PC Board Mount

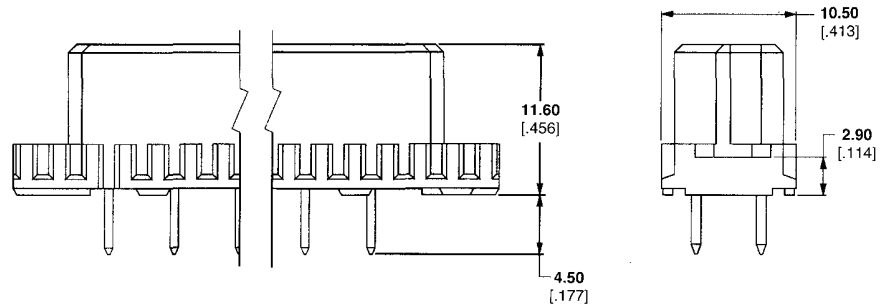


Material

Housing — Glass filled polymer
Contacts — Copper alloy

Related Product Data

- DIN Performance Levels** — Page 6
- Performance Specifications** — Page 7
- Mateable Connectors** — Page 34
- PC Board Hole Layout** — Page 61
- Accessories** — Pages 67-69
- Technical Documents** — Page 74:
 DIN Specification 41612
 IEC Specification 60603-2



Type D Assemblies

Standard Size

Number of Positions	Rows Loaded	DIN Level	Part Number
32	A,C	II	106779-4