

## Excellent Integrated System Limited

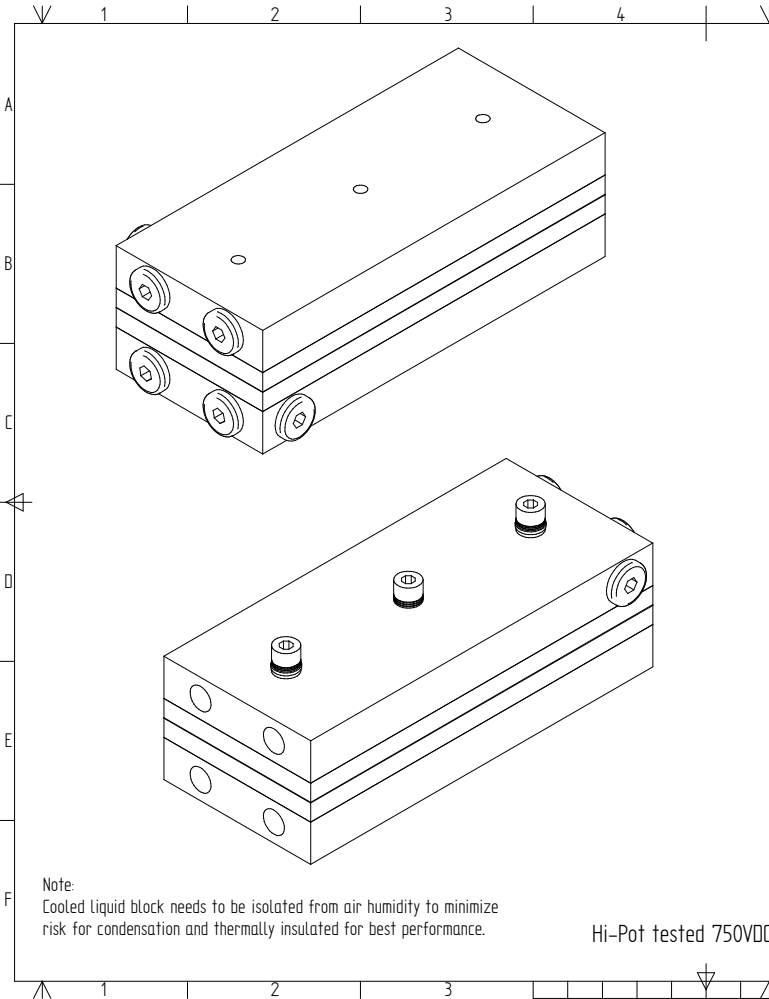
Stocking Distributor

Click to view price, real time Inventory, Delivery & Lifecycle Information:

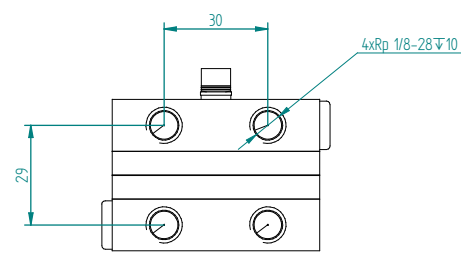
[Laird Technologies - Engineered Thermal Solutions](#)  
[LL-120-24-00-00-00](#)

For any questions, you can email us directly:

[sales@integrated-circuit.com](mailto:sales@integrated-circuit.com)



Specification (Ta=32°C)	Code	Description
Heat transfer, cold side	L	Liquid
Heat transfer, warm side	L	Liquid
Cascode	-	-
Cooling power (W)	120	Calculated 196 W at dT=50°C. Tolerance: +10%.
Voltage, nominal (VDC)	24	24 VDC
TEM Voltage (VDC)		Nominal: 24 VDC, Max: 30 VDC
TEM Current (A)		Nominal: 4.8 A, Initial: 5.2 A, All at dT=50°C. Tolerance: +10%.
Fan(s), cold side	0	None.
Fan(s), warm side	0	None.
Temperature controller, sensor	0	None.
Temperature control setting, trim options	0	-
Additional controller information		
Temperature control position	0	-
Options	0	-
Overheating thermostat:		75°C ±5°C on hot side heat sink surface. Not wired in series with TEMs. Use it to control a relay.
Operating temperature:		Max. 62°C at nominal voltage.
TE-Module(s) temperature specification:		Max. surface temperature 80°C.
Enclosed		Turbulators fitted in liquid channels, 4 x L-PNPP-6-18



For overheating protection the cooler is equipped with a bimetal thermostat. The maximum rating for the thermostat is 8 A DC. For systems with 8 A or less the thermostat can be connected directly in series with the ThermoElectric Modules (TEMs). Otherwise connect the TEMs to the power source through a relay of suitable rating which state is controlled with the bimetal thermostat.

General tolerances:	SS-ISO 2768-1 v	First angle projection:		Dimension units:	Metric (mm)
---------------------	-----------------	-------------------------	--	------------------	-------------

Comment / Deviations					
Heat sinks and, if applicable, D-plates and shrouds in anodised aluminium. RoHS-compliant.					
Designed by:	Checked by:	Approved by:	Release date:	Project:	Customer:
MNyman	E. Johansson	E. Johansson	2011-10-20	Standard	Laird Technologies
Laird Technologies S-4353 Molndal, Sweden tfn: +46 31 420530, fax: +46 31 247909 e-mail: info@lairdtech.com web: www.lairdtech.com			Title:		
Laird Technologies			TE ASSEMBLY LIQUID - LIQUID 120,24VDC		
Part no:			Rev:	Version:	Scale:
LL-120-24-00-00-00			05	-	1:1
			Size, sheet:	A3, 1/41	

Note:  
Cooled liquid block needs to be isolated from air humidity to minimize risk for condensation and thermally insulated for best performance.

Hi-Pot tested 750VDC

