

Excellent Integrated System Limited

Stocking Distributor

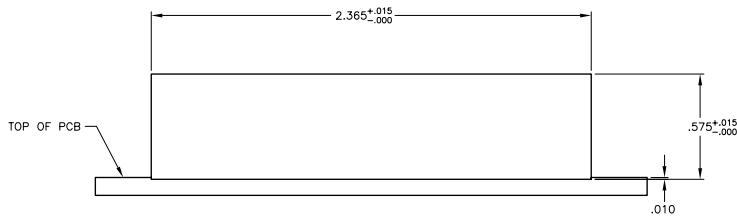
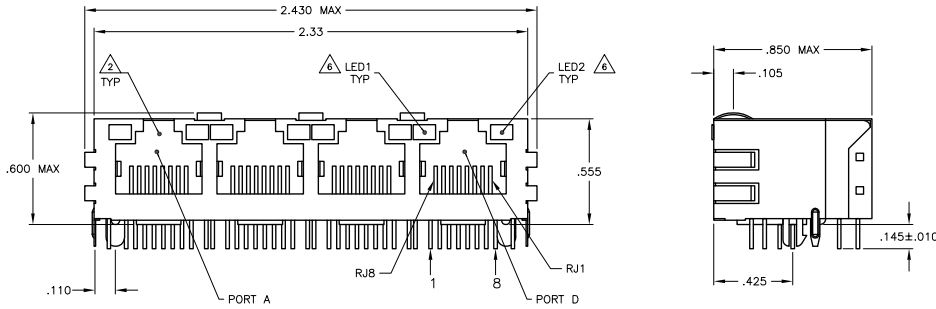
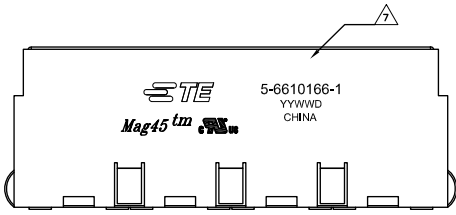
Click to view price, real time Inventory, Delivery & Lifecycle Information:

[TE Connectivity AMP Connectors](#)
[5-6610166-1](#)

For any questions, you can email us directly:
sales@integrated-circuit.com

REV	DATE	BY	CHK	APP
AA	22			
REVISIONS				
REV	DATE	BY	CHK	APP
C	ECO-11-02/078			

MECHANICAL:



1X4 SUGGESTED PANEL CUTOUT

- △ MATERIALS:
 - HOUSING - THERMOPLASTIC PET POLYESTER FLAMMABILITY RATING UL 94V-0
 - SHIELD - .017" THICK, C2800 BRASS PREPLATED WITH 30-INCH MIN SEMI-BRIGHT NICKEL, SOLDER TABS POST DIPPED WITH 100-INCH MIN SAC SOLDER
 - MOD JACK CONTACTS - 0.0151 X 0.018" PHOSPHOR BRONZE, 50-INCH MIN OVERALL NICKEL UNDERPLATE WITH SELECT 50-INCH MIN HARD GOLD FINISH PLATE
 - SOLDER TABS WITH 100-INCH MIN MATTE TIN AND/OR SAC SOLDER DIP
 - LIGHT EMITTING DIODE(LED) - DIFFUSED EPOXY LENS, .020" X .020" CARBON STEEL WIREFRAME LEADS PRE-PLATED WITH 80-INCH SILVER OVER 40-INCH NICKEL UNDERPLATE OVER 40-INCH COPPER UNDERPLATE. POST-PLATED WITH 100-INCH MIN MATTE TIN AND/OR SAC SOLDER DIP OR PURE TIN SOLDER DIP

- △ RJ45 JACK CAVITY CONFORMS TO FCC RULES AND REGULATIONS PART 68, SUB PART F.
- △ MAGNETICS
 - IMPEDANCE: 100 OHMS
 - TURNS RATIO (HP-CABLE): TX = 11, RX = 8:1
 - OPEN CIRCUIT INDUCTANCE (OCL): 350 nH MIN @100MHz, 0.1Vrms, 8mA DC BIAS FROM 0°C TO 70°C, TX AND RX
 - PERFORMANCE @ 25°C
 - INSERTION LOSS (IL): 1.8dB MAX FROM 0.5MHz TO 100MHz
 - RETURN LOSS (RL): 18dB MIN FROM 0.5MHz TO 30MHz
 - 18-20LOG(f/50)dB MIN FROM 30 MHz TO 60MHz
 - 12dB MIN FROM 60 MHz TO 30MHz
 - CROSSTALK ATTENUATION: 35dB MIN FROM 0.5MHz TO 40MHz
 - 33-20*LOG(f/50)dB MIN FROM 4.0 MHz TO 100MHz
 - COMMON MODE REJECTION RATIO (CMRR): 30dB MIN FROM 0.5MHz TO 100MHz
 - ISOLATION VOLTAGE: COMPLES WITH IEEE802.3 2002, PARA 23.5.1.1 ITEM B.

- 4. OPERATING TEMPERATURE: FROM 0°C TO +70°C
- △ INDICATED CONNECTIONS ARE FOR HUB CONFIGURATION. THE MAGNETICS ARE SYMMETRICAL AND SUPPORT AUTO-MDM/DMX.
- △ LEDS WITH BUILT-IN RESISTOR
LEDS ARE DRIVEN WITH 5V VOLTAGE AND THE MAX OPERATING CURRENT IS 20mA.
LED COLOR/DOMINANT WAVELENGTH (D): GREEN 568 nm TYP @ VF=5V
FORWARD CURRENT (IF): GREEN 12mA TYP @ VF=5V
DOMINANT WAVELENGTH (D): YELLOW 588 nm TYP @ VF=5V
FORWARD CURRENT (IF): YELLOW 13mA TYP @ VF=5V
- △ TE CONNECTIVITY LOGO, PART NUMBER, DATE CODE, COUNTRY OF ORIGIN AND AGENCY APPROVAL MARKING IN APPROXIMATE LOCATION SHOWN.

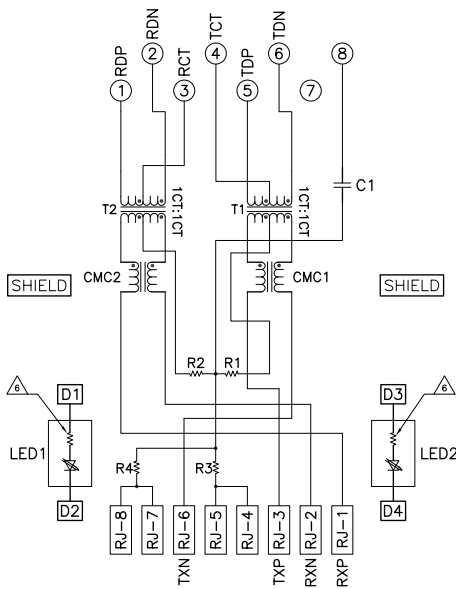
- 8. THE PART IS RECOMMENDED FOR WAVE SOLDERING PROCESS. PREHEAT TEMPERATURE IS 120°C TO 160°C, 120 SECONDS TO 180 SECONDS, PEAK WAVE SOLDERING TEMPERATURE IS 260°C MAX, 10 SECONDS MAX.

GREEN	YELLOW	5-6610166-1
LED1	LED2	PART NUMBER

THIS DRAWING IS A CONTROLLED DOCUMENT		ATTACH - CONTROL		TE Connectivity	
REV	DATE	BY	CHK	APP	
AA	22				
DESCRIPTION		PART NUMBER		REV	
1X4 MAG45(TM) MODULAR JACK		7MS SCHEMATIC, 7869P MAGNETIC CIRCUIT, SHIELDED, DECOUPLING CAPACITOR, WITH RESISTOR LEADS		REV	
108-2100		A 00779		C-6610166	
CUSTOMER DRAWING		REV		REV	
		4-1		1 2	

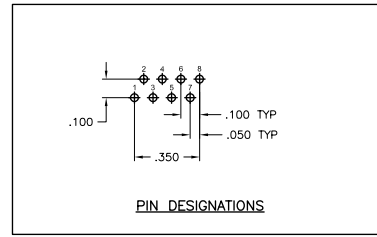
REV	DATE	DESCRIPTION	BY	CHK	APP
AA	22	REVISED			
		SEE SHEET 1			

766P9 MAGNETIC CIRCUIT

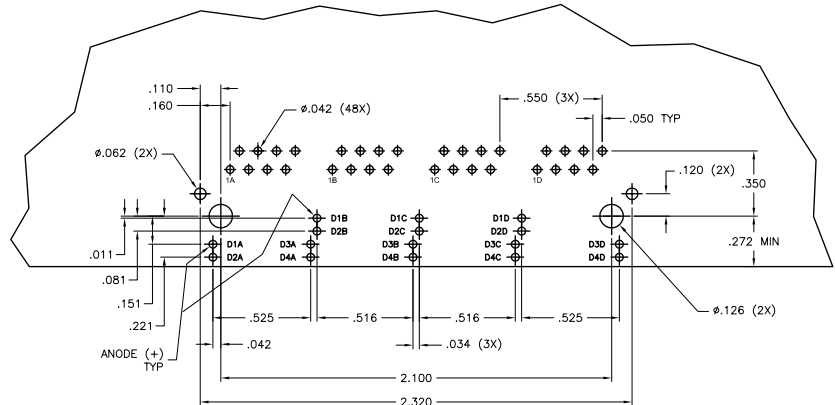


C1=1000pF, 2kV CAPACITOR

R1-R4 = 75 OHMS, 1/16W RESISTORS



PIN DESIGNATIONS



SUGGESTED PCB LAYOUT
(Component Side)

THIS DRAWING IS A CONTROLLED DOCUMENT		ATTACHMENT - 000001	TE Connectivity
REVISIONS	DATE	DESCRIPTION	BY
1	108-2100	766P9 MAGNETIC CIRCUIT, SHIELDED, DECOUPLING CAPACITOR, WITH RESISTOR LEADS	
2			
3			
4			
5			
6			
7			
8			
CUSTOMER DRAWING		100779	5-6610166