

Excellent Integrated System Limited

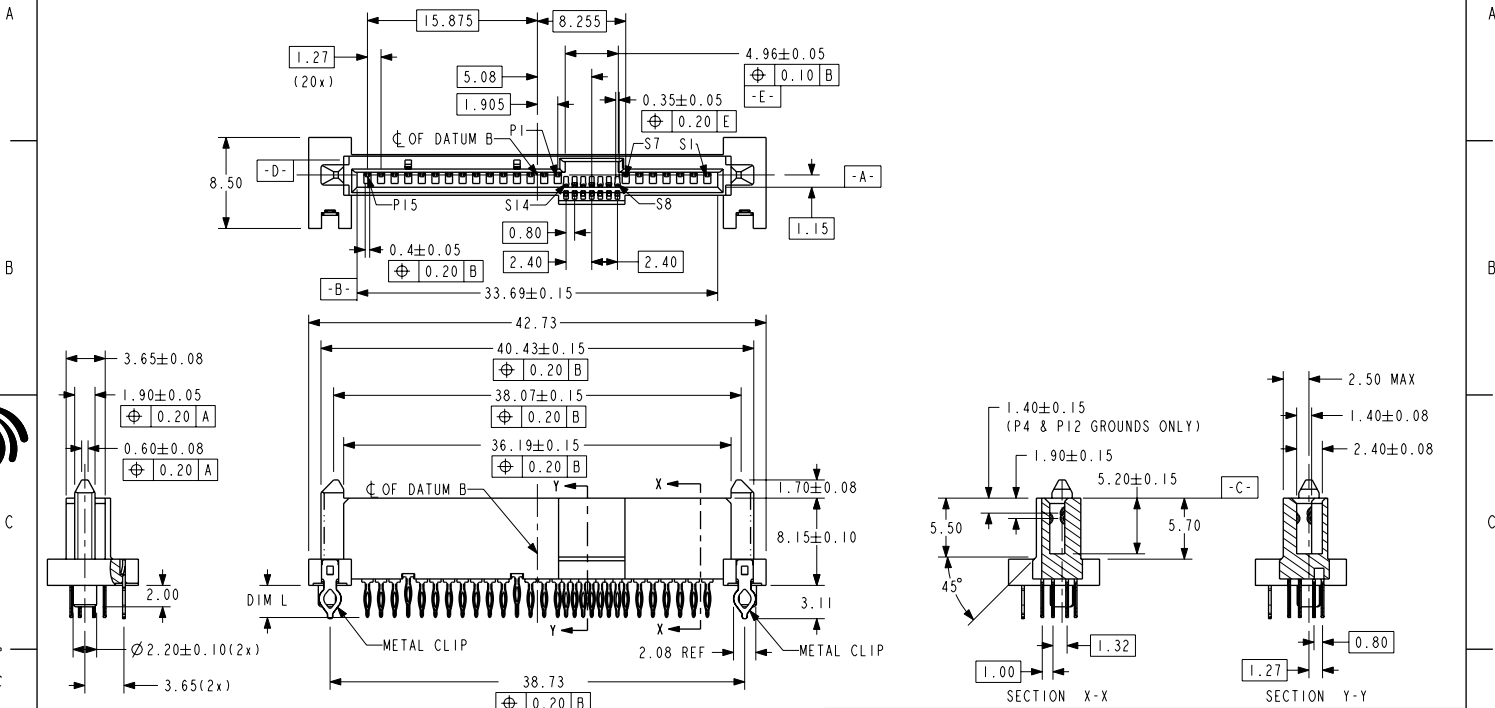
Stocking Distributor

Click to view price, real time Inventory, Delivery & Lifecycle Information:

[FCI](#)
[10038064-001LF](#)

For any questions, you can email us directly:
sales@integrated-circuit.com

PRODUCT NO	DIM L	RECOMMENDED P.C. BOARD THICKNESS	METAL CLIP
10038064-001LF	2.70	1.40mm (0.055")/2.36mm (0.093")	YES
10038064-002LF	3.60	2.36mm (0.093")	
10038064-003LF	2.70	1.40mm (0.055")/2.36mm (0.093")	NO
10038064-004LF	3.60	2.36mm (0.093")	



Copyright FCI.

rev	ech no	dr	date	Dr	Eng	Chr	Appr	surface	tolerance	std	projection	MM
A	S05-0043	SS/TEO	2005-07-26	YEO SS	KP TAY	KP TAY	JOEY NG	www.fciconnect.com	ANGULAR	0.X	±0.2	A4
B	S05-0296	SS/TEO	2005-10-19	KP TAY	KP TAY	KP TAY	JOEY NG	TOLERANCES UNLESS OTHERWISE SPECIFIED	LINEAR	0.XX	±0.2	Scale 2:1
C	S07-0256	WLC	2007-07-26	KP TAY	KP TAY	KP TAY	JOEY NG	0° ±2°	0.XXX	±0.2	ECN	S10-0127
D	S10-0127	MPTAY	2010-06-15	KP TAY	KP TAY	KP TAY	JOEY NG	Product family	SAS	Spec ref		



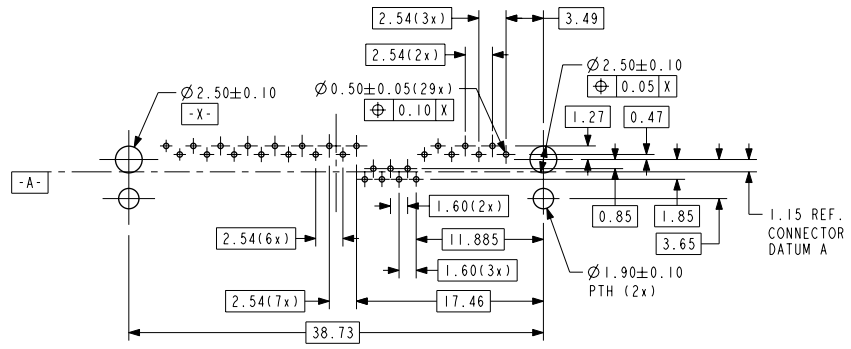
FCI	SAS RECEPTACLE PRESS FIT (WIDE BASE)	dag no	10038064	Rev.	D
catalog no		CUSTOMER		sheet 1 of 2	

REV E - 2004-03-26

1

2

HOLE	A
HOLE DIAMETER AFTER PLATING	0.45-0.55 mm
DRILLED HOLE	0.58-0.62 mm
COPPER PLATING	25-50 μ m
Sn PLATING	5-15 μ m



RECOMMENDED PCB LAYOUT

NOTE:

1. MATERIAL:
 - A) HOUSING: HIGH TEMPERATURE THERMOPLASTIC, UL 94V-0
COLOUR: BLACK
 - B) TERMINAL: COPPER ALLOY
 - C) HOLD DOWN: COPPER ALLOY
- 2 FINISH (LEAD-FREE):
 - A) TERMINAL: 30 μ Au PLATING (CONTACT POINT) OVER 50 μ NICKEL
 - B) PRESSFIT TAIL: 20 μ MIN - 60 μ MAX Sn OVER 50 μ NICKEL
 - C) HOLD DOWN: 50 μ min Sn OVER 50 μ NICKEL
- 3 PER SFF REV 1.4 EXCEPT 0.8mm PITCH BUMP AREA.
- 4 THE HOUSING WILL WITHSTAND EXPOSURE TO 260°C PEAK TEMPERATURE FOR 10 SECONDS IN A CONVECTION, INFRA-RED OR VAPOR PHASE REFLOW OVEN.
- 5 THIS PRODUCT MEETS EUROPE UNION DIRECTIVES AND OTHER COUNTRY REGULATIONS AS DESCRIBED IN GS-22-008.
- 6 PART NUMBERS ENDING IN "LF" MEANS FOR NOTE 5 LEAD FREE IDENTIFICATION. P/N XXXXXXXX-XXXLF IS EQUIVALENT TO PREVIOUS P/N XXXXXXXX-XXX.

	100	SAS RECEPTACLE PRESS FIT	10038064	Rev. D
	111	(WIDE BASE)		
	catalog no		CUSTOMER	sheet 2 of 2

REV E - 2004-03-26

Copyright FCI.