

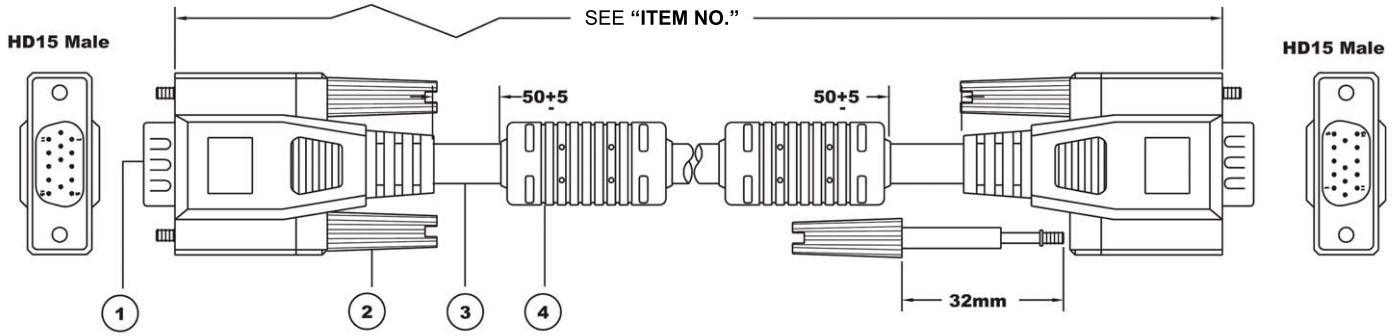
Excellent Integrated System Limited

Stocking Distributor

Click to view price, real time Inventory, Delivery & Lifecycle Information:

[ASSMANN WSW Components](#)
[AK3760XF-R](#)

For any questions, you can email us directly:
sales@integrated-circuit.com



Material:

- 1.Cable: #28,UL2919, 3COAXIAL+7C+1+AL/MY+Braid,
(Beige PVC Jacket) O.D:8.5
- 2.Connector: HD15M, 9th Empty, Black
- 3.Thumbscrew:#4-40UNC, E32
- 4.Ferrite Core Size:RH 16*28*9
- 5.Black Heat Shrink:∅1.5x15:6PCS ∅3x8:6PCS
- 6.Copper Size:30X50

Note:

- 1.Total Length: SEE "ITEM NO."
- 2.Color: Beige
- 3.Molded Type

Configuration:

HD15M		HD15M
1	Red(Coax)	1
6	Red(Ground)	6
2	Green(Coax)	2
7	Green(Ground)	7
3	Blue(Coax)	3
8	Blue(Ground)	8
4	Brown	4
5	Black	5
13	Green	13
14	Red	14
10	Orange	10
11	White	11
12	Yellow	12
Shield	(Braid)	Shield



<i>ITEM NO</i>	AK5320XF-R (1.8 M)	AK3770XF-R (5.0 M)
	AK3760XF-R (3.0 M)	AK3780XF-R (10.0 M)
<i>TITLE</i>	PREMIUM XGA Monitor Connection Cable w/Ferrite Core, HD DSUB 15-Pin Male to HD DSUB 15-Pin Male	

ASSMANN
Electronics, Inc.

1840 W. Drake Drive, Suite 101 - Tempe, AZ 85283
Toll Free: 1-877-277-6266 Email: info@usa-assmann.com

THIS DRAWING IS UNPUBLISHED
©Copyright 2008 by Assmann Electronic Components
All International Rights Reserved