

Excellent Integrated System Limited

Stocking Distributor

Click to view price, real time Inventory, Delivery & Lifecycle Information:

[Molex Connector Corporation](#)
[0346910161](#)

For any questions, you can email us directly:

sales@integrated-circuit.com

				MATERIAL NUMBER			CKT SIZE	DESCRIPTION	POL	COLOR
TRAY PACKAGING	TUBE PACKAGING	ALT TRAY PACK								
PK-31300-892	PK-31301-063	PK-31300-894	34691-0200	34691-9200	34691-9204	20	STAC64 RIGHT ANGLE HEADER ASSEMBLY	A	BLACK	
			34691-0201	34691-9201	TBD	20	STAC64 RIGHT ANGLE HEADER ASSEMBLY	B	GREY	
			34691-0202	34691-9202	TBD	20	STAC64 RIGHT ANGLE HEADER ASSEMBLY	C	BROWN	
			34691-0203	34691-9203	TBD	20	STAC64 RIGHT ANGLE HEADER ASSEMBLY	D	GREEN	
			34691-0160	34691-9160	TBD	16	STAC64 RIGHT ANGLE HEADER ASSEMBLY	A	BLACK	
			34691-0161	34691-9161	TBD	16	STAC64 RIGHT ANGLE HEADER ASSEMBLY	B	GREY	
			34691-0162	34691-9162	TBD	16	STAC64 RIGHT ANGLE HEADER ASSEMBLY	C	BROWN	
			34691-0120	34691-9120	TBD	12	STAC64 RIGHT ANGLE HEADER ASSEMBLY	A	BLACK	
			34691-0121	34691-9121	TBD	12	STAC64 RIGHT ANGLE HEADER ASSEMBLY	B	GREY	
			34691-0122	34691-9122	TBD	12	STAC64 RIGHT ANGLE HEADER ASSEMBLY	C	BROWN	
			34691-0080	34691-9080	TBD	8	STAC64 RIGHT ANGLE HEADER ASSEMBLY	A	BLACK	
			34691-0081	34691-9081	TBD	8	STAC64 RIGHT ANGLE HEADER ASSEMBLY	B	GREY	
			34691-0082	34691-9082	TBD	8	STAC64 RIGHT ANGLE HEADER ASSEMBLY	C	BROWN	

NOTES: VALID UNLESS OTHERWISE SPECIFIED

1. GENERAL:

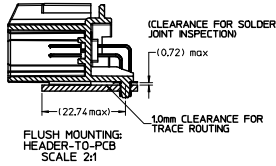
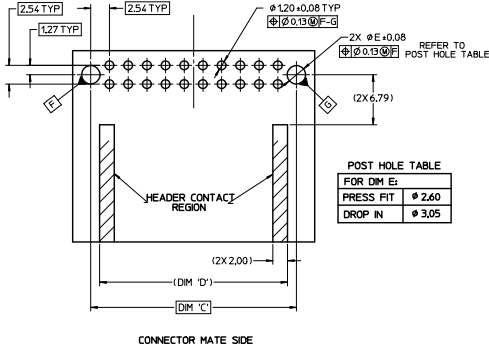
- CONNECTOR HEADER MUST BE VALIDATED TO THE FOLLOWING FUNCTIONAL REQUIREMENTS:
 - POLARIZATION FEATURE EFFECTIVENESS - SEE PRODUCT SPECIFICATION
 - PIN RETENTION - USCAR-2 REV 4
 - SOLDERABILITY - SMES-152
- APPLICATION REQUIREMENTS (REFERENCE ONLY) FOR:
 - SEE APPLICATION SPECIFICATION - AS-34729-020/AS-31408-100
 - SEE PRODUCT SPECIFICATION - PS-34729-020/PS-31408-100
- PACKAGING SPECIFICATION: SEE CHART
- DESIGN MATERIALS:
 - SHROUD (PLASTIC HOUSING): RESIN - SPS 30%GF - 20% REGRIND MAX. BY WEIGHT
 - BASE MATERIAL: C26000 PLATING TYPE: AS NOTED
 - PIN ALIGNMENT PLATE: MYLAR
- PLATING REQUIREMENTS:
 - UNDERPLATING - OVERALL NICKEL
 - OVERPLATING - OVERALL TIN
- INTERFACE: USCAR
 - 067-U-008-2-201
 - 064-U-012-2-102
 - 064-U-016-2-102
 - 064-U-020-2-102

SOME CHANGES HAVE BEEN MODIFIED TO IMPROVE POLARIZATION EFFECTIVENESS. SEE AS-34729-002/AS-31408-100.

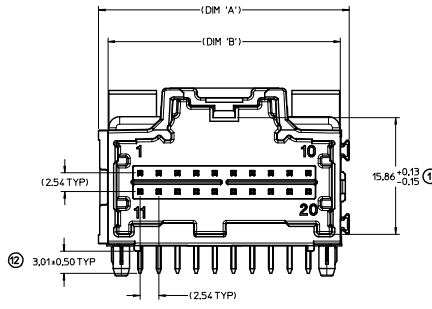
QUALITY SYMBOLS ▽=0 ▽=0	GENERAL TOLERANCES (UNLESS SPECIFIED) mm INCH 4 PLACES ± --- ± --- 3 PLACES ± --- ± --- 2 PLACES ± 0.13 ± --- 1 PLACE ± 0.25 ± --- ANGULAR ± 3 °	DIMENSION STYLE MM ONLY	SCALE 2:1	DESIGN UNITS METRIC	THIRD ANGLE PROJECTION	
	DRAWN BY MBALLEY DATE 10/02/06	CHECKED BY CDILLON DATE 04/18/07	APPROVED BY SMARLEAU DATE 2010/11/04	TITLE STAC64 SINGLE BAY RIGHT ANGLE ASSEMBLY SALES DRAWING		
	DRAFT WHERE APPLICABLE MUST REMAIN WITHIN DIMENSIONS		SEE CHART	MOLEX INCORPORATED	DOCUMENT NO. SD-34691-100	SHEET NO. 1 OF 2
	THIS DRAWING CONTAINS INFORMATION THAT IS PROPRIETARY TO MOLEX INCORPORATED AND SHOULD NOT BE USED WITHOUT WRITTEN PERMISSION					

CKT SIZE	DIM 'A'	DIM 'B'	DIM 'C'	DIM 'D'
20	34.04	31.57	27.94	25.54
16	28.96	26.49	22.86	20.46
12	23.88	21.41	17.78	15.38
8	18.80	16.53	12.70	10.30

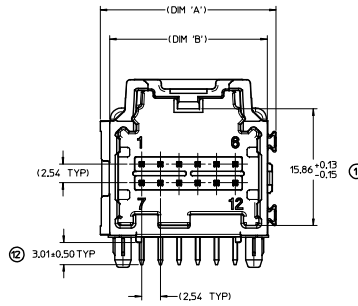
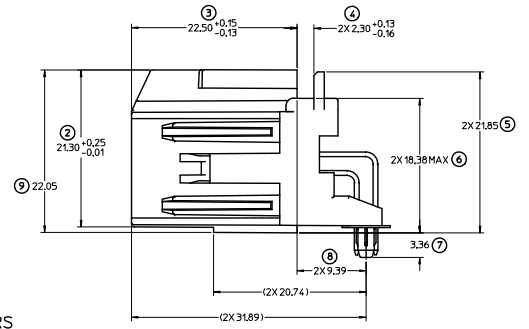
RECOMMENDED PCB LAYOUT



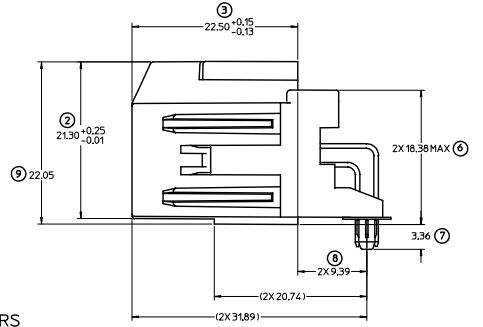
RECOMMENDED FOR WAVE SOLDER
FOR REFLOW CAPABLE PLASTIC PAPER SEE:
SD-34691-600



LAYOUT FOR 16 & 20 CKT. HEADERS
(20 CKT. OPTION 'A' SHOWN)



LAYOUT FOR 8 & 12 CKT. HEADERS
(12 CKT. OPTION 'A' SHOWN)



QUALITY SYMBOLS	GENERAL TOLERANCES (UNLESS SPECIFIED)		DIMENSION STYLE		SCALE	DESIGN UNITS	THIRD ANGLE PROJECTION
	mm	INCH	MM ONLY	DATE			
4 PLACES	± 0.15	± 0.006	DRAWN BY	10/02/06	4:1	METRIC	STAC64 SINGLE BAY RIGHT ANGLE ASSEMBLY SALES DRAWING
3 PLACES	± 0.13	± 0.005	CHECKED BY	DATE			
2 PLACES	± 0.13	± 0.005	DILLON	04/18/07	MOLEX	MOLEX INCORPORATED	SD-34691-100
1 PLACE	± 0.25	± 0.010	APPROVED BY	DATE			
	ANGULAR ± 3°		SMARCEAU	2010/11/04			2 OF 2
DRAFT WHERE APPLICABLE MUST REMAIN WITHIN DIMENSIONS			SEE CHART		DOCUMENT NO.		
THIS DRAWING CONTAINS INFORMATION THAT IS PROPRIETARY TO MOLEX INCORPORATED AND SHOULD NOT BE USED WITHOUT WRITTEN PERMISSION							