

Excellent Integrated System Limited

Stocking Distributor

Click to view price, real time Inventory, Delivery & Lifecycle Information:

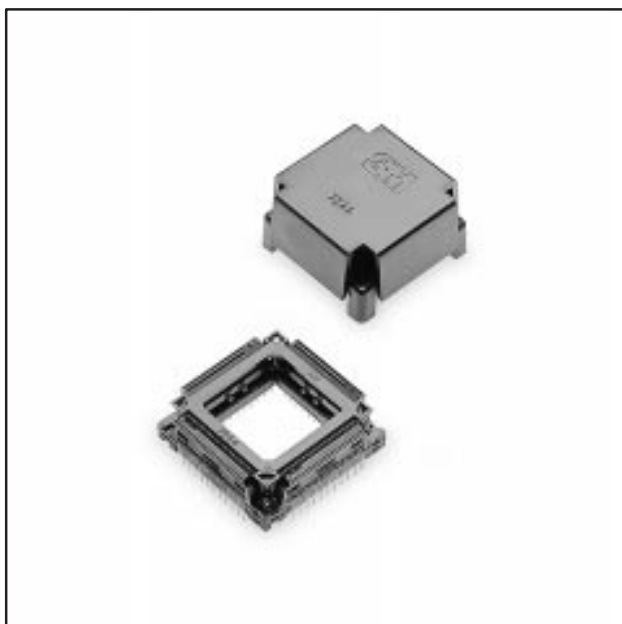
[3M](#)

[2100-7243-00-1807](tel:2100-7243-00-1807)

For any questions, you can email us directly:

sales@integrated-circuit.com

OEM PQFP Sockets



- Accepts JEDEC MO-069 packages, lead counts 84, 100 and 132
- .025"(0.64mm) center line contacts for high-density packaging
- Lid design separates, maintains IC lead spacing
- Lid acts as package carrier and transport protector
- Lid is compatible with conventional package shipping tubes and trays
- Slotted, "open" socket walls and corners permit airflow around captured package (aids in package heat dissipation)
- Latches secure lid/package assembly to base
- Mirror image contact pin-out available on most lead counts
- Required tooling available in two styles

Date Issued: October 29, 2001

TS-0361-13
 Sheet 1 of 3

Physical

Insulation

Material: Glass Filled Polyethersulfone (PES)
 Flammability: UL 94V-0
 Color: Black

Contact

Material: Beryllium Copper
 Plating
 Underplate: 50 μ" [1.27 μm] Nickel
 Wiping Area & Solder Tails: 200 μ" [5.08 μm] 60/40 Tin Lead

Latching Aid

Material: Polycarbonate (PC)
 Color: Black

Marking: Raised Letters: 3M Logo & Part Identification

Electrical

Current Rating: 1 A
Insulation Resistance: > 1 × 10¹² Ω at 500 Vdc
Withstanding Voltage: 1000 Vrms at Sea Level

Mechanical

Durability: 25 actuations
Normal Force: 150 grams average per contact

Environmental

Temperature Rating Operating: 0°C to +105°C

UL File No.: E68080

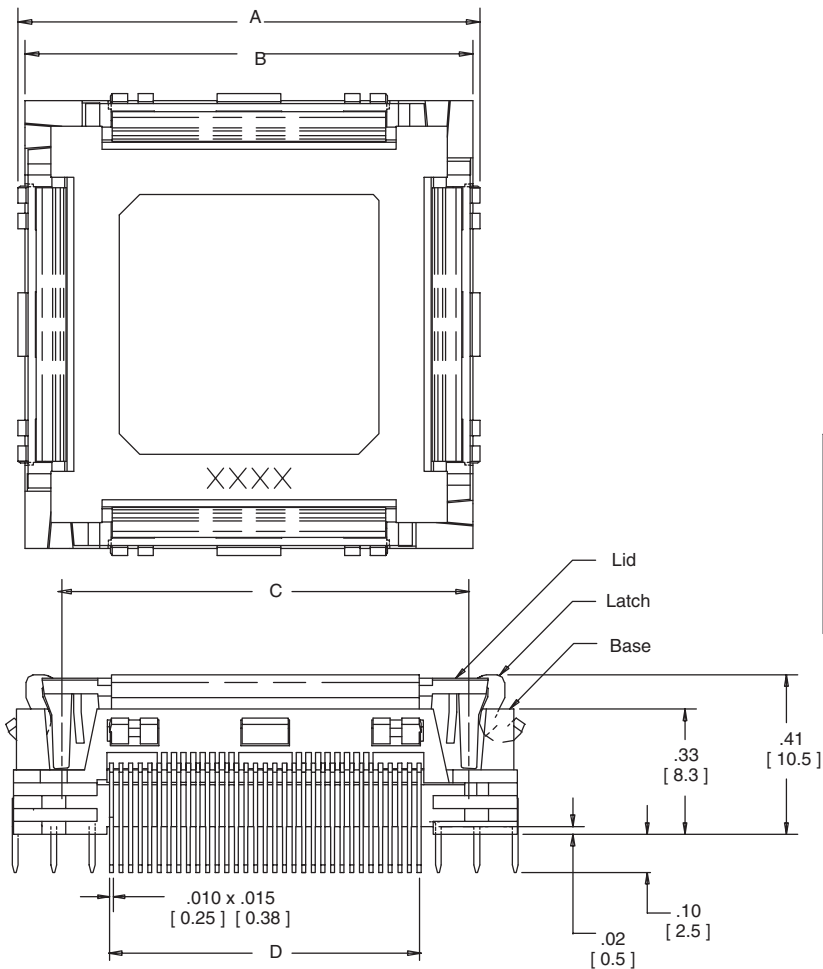
3M Electronic Handling and Protection Division

6801 River Place Blvd.
 Austin, TX 78726-9000

For technical, sales or ordering information call **800-328-0411**
 or visit our website: <http://www.3M.com/ehpd>

OEM PQFP Sockets

Lead Count	Dimensions			
	A Sq.	B Sq.	C $\pm .004$ -.006	D $\pm .002$ [0.05]
100	1.15 [29.2]	1.11 [28.2]	.860 [21.84]	24 Eq. Spaces @ .025 [0.64] = .600 [15.24]
132	1.35 [34.3]	1.31 [33.3]	1.060 [26.92]	32 Eq. Spaces @ .025 [0.64] = .800 [20.32]



Dimension	Tolerance	
	inch (.)	mm (.)
Tolerance	$\pm .010$ ($\pm .25$)	$\pm .005$ ($\pm .13$)

Ordering Information

Lead Count	Part Number	Latching Aid Part Number
100	2100-7243-XX-1807	400-7243-00-9900
132	2132-7244-YY-1807	400-7244-00-9900

XX = 00 Standard 3M PC Pattern
 50 Alternate PC Pattern

YY = 70 Standard 3M PC Pattern
 75 Alternate PC Pattern

TS-0361-13
 Sheet 2 of 3

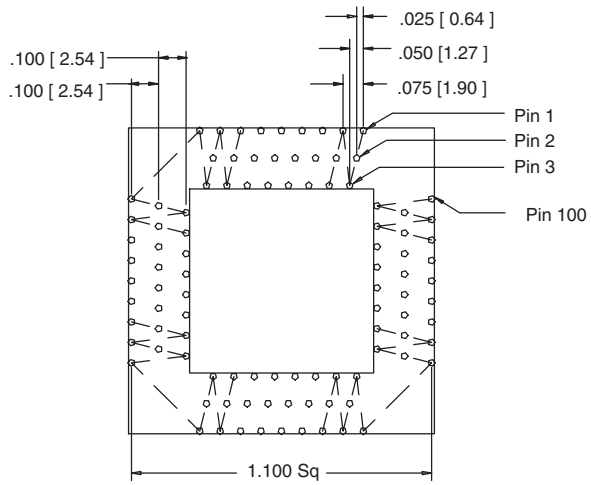
3M Electronic Handling and Protection Division

6801 River Place Blvd.
 Austin, TX 78726-9000

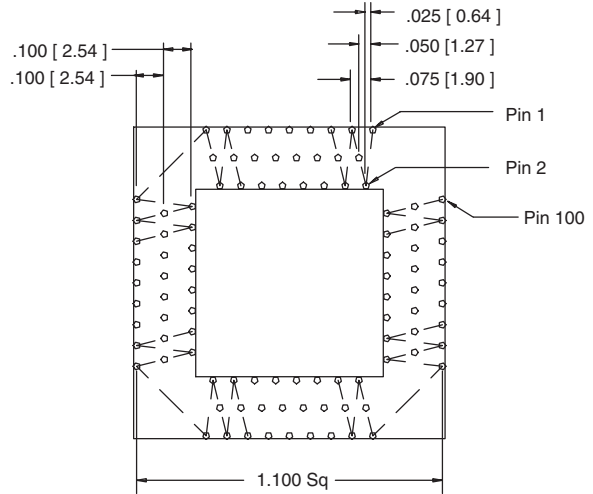
For technical, sales or ordering information call 800-328-0411
 or visit our website: <http://www.3M.com/ehpd>

OEM PQFP Sockets

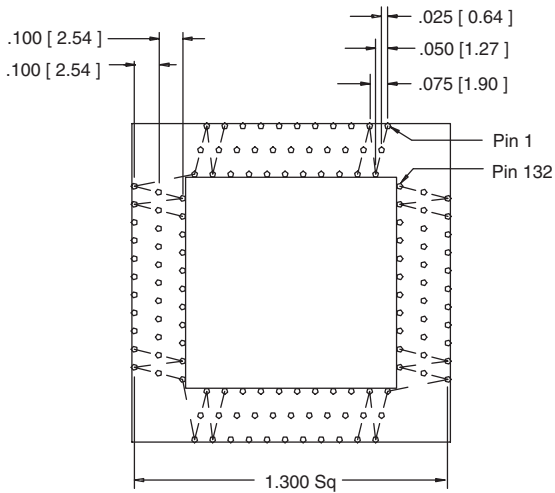
PCB Patterns Component Side



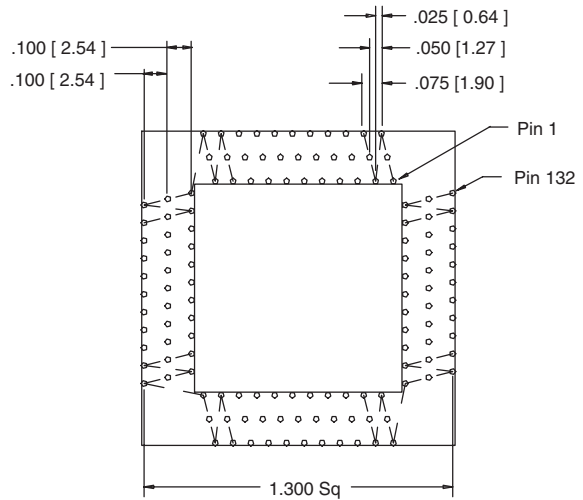
2100-7243-00-1807



2100-7243-50-1807



2132-7244-70-1807



2132-7244-75-1807

Dimension	Tolerance $\frac{\text{inch}}{\text{(mm)}}$	
	$\frac{.00}{(.0)}$	$\frac{.000}{(.00)}$
Tolerance	$\pm .010$ ($\pm .25$)	$\pm .005$ ($\pm .13$)