

Excellent Integrated System Limited

Stocking Distributor

Click to view price, real time Inventory, Delivery & Lifecycle Information:

[ON Semiconductor](#)
[ASM3P2274AF-06OR](#)

For any questions, you can email us directly:

sales@integrated-circuit.com

ASM3P2274A

4x Multiplier EMI Reduction IC

Product Description

The ASM3P2274 is a versatile Spread Spectrum Frequency Modulator designed specifically for a wide range of clock frequencies. It provides a 4x Spread Spectrum Modulated output from an input clock source.

The ASM3P2274A reduces electromagnetic interference (EMI) at the clock source, allowing system wide reduction of EMI of all clock dependent signals. The ASM3P2274A allows significant system cost savings by reducing the number of circuit board layers, ferrite beads and shielding that are traditionally required to pass EMI regulations.

The ASM3P2274A uses the most efficient and optimized modulation profile approved by the FCC and is implemented by using a proprietary all digital method.

The ASM3P2274A modulates the output of a single PLL in order to “spread” the bandwidth of a synthesized clock, and more importantly, decreases the peak amplitudes of its harmonics. This results in significantly lower system EMI compared to the typical narrow band signal produced by oscillators and most frequency generators. Lowering EMI by increasing a signal’s bandwidth is called ‘spread spectrum clock generation.’

Features

- Generates a 4x EMI Optimized Clock Signal at the Output
- Integrated Loop Filter Components
- Operates with a 2.5/3.3 V Supply
- CMOS Design
- Input Frequency Range:
 - ◆ 12 MHz to 30 MHz for 2.5 V
 - ◆ 12 MHz to 30 MHz for 3.3 V
- Frequency Deviation: -1.5% (Typ) @ 66 MHz Output Frequency
- Available in TSOP-6 Package
- This Device is Pb-Free and is RoHS Compliant

Applications

The ASM3P2274A is targeted towards all portable devices like MP3 players, MFP, LCD Panel Module and digital still cameras.

Table 1. KEY SPECIFICATIONS

Description	Specification
Supply Voltages	$V_{DD} = 2.5/3.3 \text{ V}$
Cycle-to-Cycle Jitter	$\pm 360 \text{ ps (Typ)}$
Output Duty Cycle	45/55%
Modulation Rate Equation	$F_{IN}/640$
Frequency Deviation	-1.5% (Typ) @ 66 MHz Output



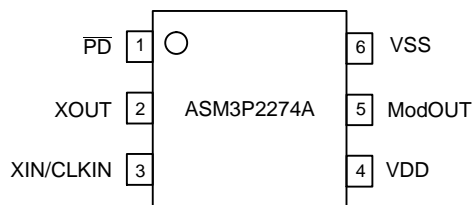
ON Semiconductor®

www.onsemi.com

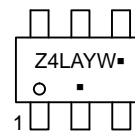


1
 TSOP-6
 CASE 318G

PIN CONNECTION



MARKING DIAGRAM



Z4L = Specific Device Code
 A = Assembly Location
 Y = Year
 W = Work Week
 ■ = Pb-Free Package

(Note: Microdot may be in either location)

ORDERING INFORMATION

See detailed ordering and shipping information on page 6 of this data sheet.

ASM3P2274A

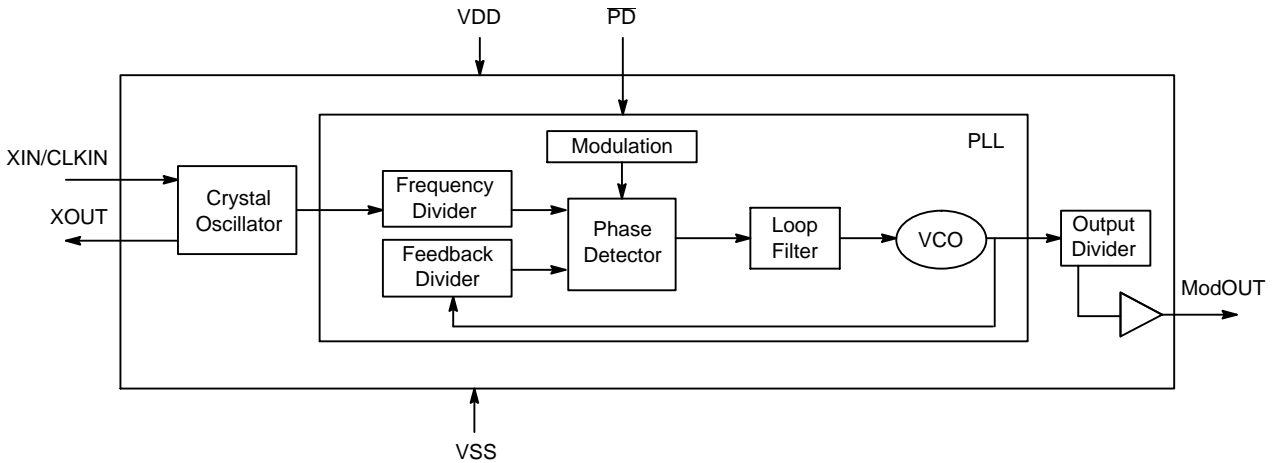


Figure 1. Block Diagram

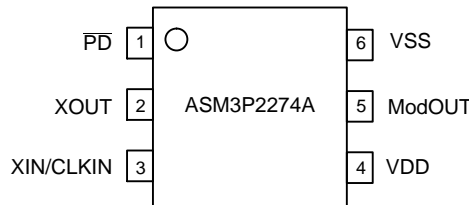


Figure 2. Pin Configuration

Table 2. PIN DESCRIPTION

Pin#	Pin Name	Type	Description
1	PD	I	Power-Down Control Pin. Pull Low to Enable Power-Down Mode. Connect to VDD if Not Used
2	XOUT	O	Crystal Connection. If Using an External Reference, this Pin Must be Left Unconnected
3	XIN/CLKIN	I	Crystal Connection or External Reference Frequency Input. This Pin has Dual Functions. It can be Connected either to an External Crystal or an External Reference Clock
4	VDD	P	Power Supply for the Entire Chip
5	ModOUT	O	Spread Spectrum Clock Output (4x Output)
6	VSS	P	Ground Connection

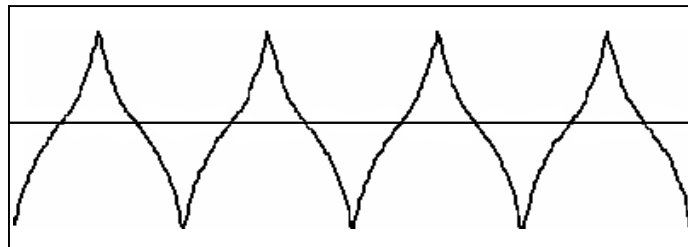


Figure 3. Modulation Profile

ASM3P2274A

Table 3. SPECIFICATIONS

Description	Specification
Input Frequency Range for 2.5 V Supply for 3.3 V Supply	12 MHz < CLKIN < 30 MHz 12 MHz < CLKIN < 30 MHz
Modulation Equation	$F_{IN}/640$
Frequency Deviation	-1.5% (Typ) @ 66 MHz Output

Table 4. ABSOLUTE MAXIMUM RATINGS

Symbol	Parameter	Rating	Unit
VDD, VIN	Voltage on any Pin with Respect to Ground	-0.5 to +4.6	V
T _{STG}	Storage Temperature	-65 to +125	°C
T _S	Maximum Soldering Temperature (10 s)	260	°C
T _J	Junction Temperature	150	°C
T _{DV}	Static Discharge Voltage (as per JEDEC STD22-A114-B)	2	kV

Stresses exceeding those listed in the Maximum Ratings table may damage the device. If any of these limits are exceeded, device functionality should not be assumed, damage may occur and reliability may be affected.

Table 5. RECOMMENDED OPERATING CONDITIONS

Parameter	Description	Min	Max	Unit
VDD	Supply Voltage	2.375	3.6	V
T _A	Operating Temperature (Ambient Temperature)	0	70	°C
C _L	Load Capacitance	-	15	pF
C _{IN}	Input Capacitance	-	7	pF

Functional operation above the stresses listed in the Recommended Operating Ranges is not implied. Extended exposure to stresses beyond the Recommended Operating Ranges limits may affect device reliability.

Table 6. DC ELECTRICAL CHARACTERISTICS FOR 2.5 V SUPPLY

Symbol	Parameter	Min	Typ	Max	Unit
V _{IL}	Input Low Voltage	V _{SS} - 0.3	-	0.8	V
V _{IH}	Input High Voltage	2.0	-	V _{DD} + 0.3	V
I _{IL}	Input Low Current	-	-	-35	μA
I _{IH}	Input High Current	-	-	35	μA
I _{XOL}	X _{OUT} Output Low Current (@ 0.5 V, V _{DD} = 2.5 V)	-	3	-	mA
I _{XOH}	X _{OUT} Output High Current (@ 1.8 V, V _{DD} = 2.5 V)	-	3	-	mA
V _{OL}	Output Low Voltage (V _{DD} = 2.5 V, I _{OL} = 8 mA)	-	-	0.6	V
V _{OH}	Output High Voltage (V _{DD} = 2.5 V, I _{OH} = 8 mA)	1.8	-	-	V
I _{DD}	Static Supply Current (Note 1)	-	-	2	μA
I _{CC}	Dynamic Supply Current (2.5 V, 66 MHz and No Load)	-	3.0	-	mA
V _{DD}	Operating Voltage	2.375	2.5	2.625	V
t _{ON}	Power-Up Time (First Locked Cycle after Power-Up) (Note 2)	-	-	5	ms
Z _{OUT}	Output Impedance	-	50	-	Ω

1. XIN/CLKIN pin and PD pin are pulled low.
2. VDD and XIN/CLKIN input are stable, PD pin is made high from low.

ASM3P2274A

Table 7. AC ELECTRICAL CHARACTERISTICS FOR 2.5 V SUPPLY

Symbol	Parameter	Min	Typ	Max	Unit
CLKIN	Input Frequency	12	–	30	MHz
ModOUT	Output Frequency	48	–	120	MHz
f_D	Frequency Deviation Output Frequency = 48 MHz Output Frequency = 120 MHz	– –	–1.6 –1.4	– –	%
t_{LH}^*	Output Rise Time (Measured at 0.7 V to 1.7 V)	0.5	2.0	2.3	ns
t_{HL}^*	Output Fall Time (Measured at 1.7 V to 0.7 V)	0.4	1.0	1.2	ns
t_{JC}	Jitter (Cycle-to-Cycle)	–	±360	–	ps
t_D	Output Duty Cycle	40	50	60	%

* t_{LH} and t_{HL} are measured into a capacitive load of 15 pF.

Table 8. DC ELECTRICAL CHARACTERISTICS FOR 3.3 V SUPPLY

Symbol	Parameter	Min	Typ	Max	Unit
V_{IL}	Input Low Voltage	$V_{SS} - 0.3$	–	0.8	V
V_{IH}	Input High Voltage	2.0	–	$V_{DD} + 0.3$	V
I_{IL}	Input Low Current	–	–	–35	μA
I_{IH}	Input High Current	–	–	35	μA
I_{XOL}	X_{OUT} Output Low Current (@ 0.4 V, $V_{DD} = 3.3$ V)	–	3	–	mA
I_{XOH}	X_{OUT} Output High Current (@ 2.5 V, $V_{DD} = 3.3$ V)	–	3	–	mA
V_{OL}	Output Low Voltage ($V_{DD} = 3.3$ V, $I_{OL} = 8$ mA)	–	–	0.4	V
V_{OH}	Output High Voltage ($V_{DD} = 3.3$ V, $I_{OH} = 8$ mA)	2.5	–	–	V
I_{DD}	Static Supply Current (Note 1)	–	–	2	μA
I_{CC}	Dynamic Supply Current (3.3 V, 66 MHz and No Load)	–	4.0	–	mA
V_{DD}	Operating Voltage	3.0	3.3	3.6	V
t_{ON}	Power-Up Time (First Locked Cycle after Power-Up) (Note 2)	–	–	5	ms
Z_{OUT}	Output Impedance	–	45	–	Ω

1. XIN/CLKIN pin and PD pin are pulled low.
2. VDD and XIN/CLKIN input are stable, PD pin is made high from low.

Table 9. AC ELECTRICAL CHARACTERISTICS FOR 3.3 V SUPPLY

Symbol	Parameter	Min	Typ	Max	Unit
CLKIN	Input Frequency	12	–	30	MHz
ModOUT	Output Frequency	48	–	120	MHz
f_D	Frequency Deviation Output Frequency = 48 MHz Output Frequency = 120 MHz	– –	–1.6 –1.4	– –	%
t_{LH}^*	Output Rise Time (Measured at 0.8 V to 2.0 V)	0.4	1.3	1.6	ns
t_{HL}^*	Output Fall Time (Measured at 2.0 V to 0.8 V)	0.4	0.8	1.1	ns
t_{JC}	Jitter (Cycle-to-Cycle)	–	±360	–	ps
t_D	Output Duty Cycle	40	50	60	%

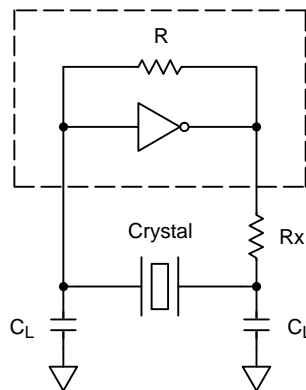
* t_{LH} and t_{HL} are measured into a capacitive load of 15 pF.

ASM3P2274A

Table 10. TYPICAL CRYSTAL SPECIFICATIONS

Fundamental AT Cut Parallel Resonant Crystal	Rating
Nominal Frequency	14.31818 MHz
Frequency Tolerance	±50 ppm or Better at 25°C
Operating Temperature Range	-25 to +85°C
Storage Temperature	-40 to +85°C
Load Capacitance (C _P)	18 pF
Shunt Capacitance	7 pF Maximum
ESR	25 Ω

NOTE: C_L is Load Capacitance and R_x is used to prevent oscillations at overtone frequency of the Fundamental frequency.



$$C_L = 2 \cdot (C_P - C_S)$$

Where: C_L = Load Capacitance of Crystal
 C_S = Stray Capacitance due to C_{IN}, PCB, Trace, etc.

Figure 4. Typical Crystal Interface Circuit

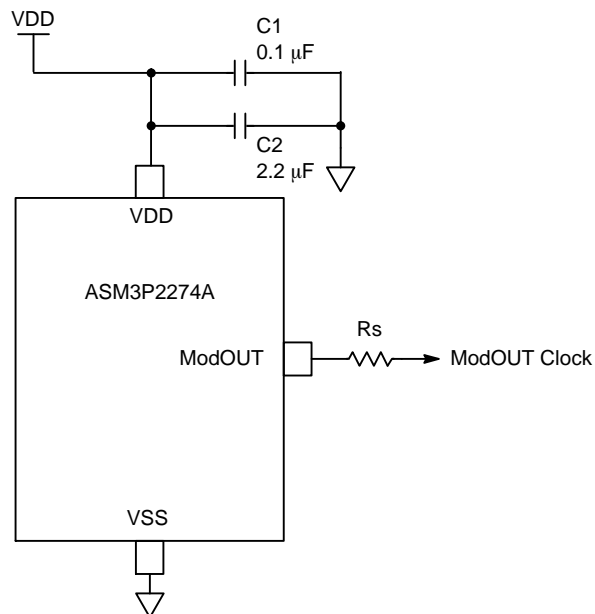


Figure 5. Typical Application Schematic

ASM3P2274A

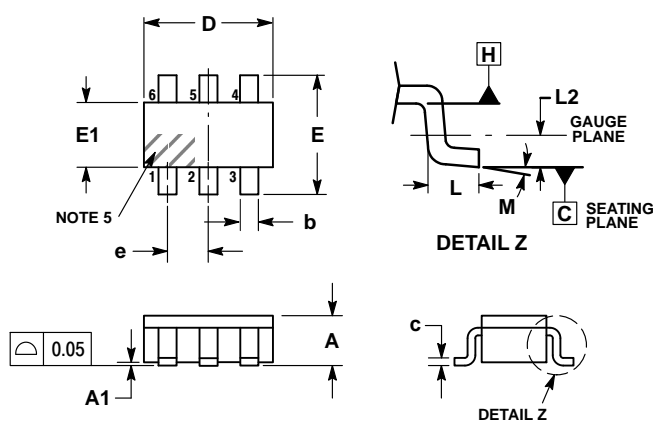
Table 11. ORDERING INFORMATION

Part Number	Marking	Package	Temperature	Shipping†
ASM3P2274AF-06OR	Z4L	TSOP-6 (Pb-Free)	0 to 70°C	3000 / Tape & Reel

†For information on tape and reel specifications, including part orientation and tape sizes, please refer to our Tape and Reel Packaging Specification Brochure, BRD8011/D.

PACKAGE DIMENSIONS

TSOP-6 CASE 318G-02 ISSUE V

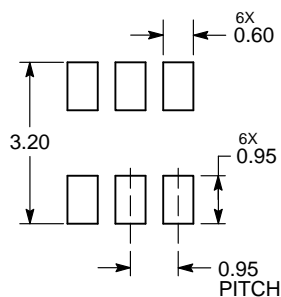


NOTES:

1. DIMENSIONING AND TOLERANCING PER ASME Y14.5M, 1994.
2. CONTROLLING DIMENSION: MILLIMETERS.
3. MAXIMUM LEAD THICKNESS INCLUDES LEAD FINISH. MINIMUM LEAD THICKNESS IS THE MINIMUM THICKNESS OF BASE MATERIAL.
4. DIMENSIONS D AND E1 DO NOT INCLUDE MOLD FLASH, PROTRUSIONS, OR GATE BURRS. MOLD FLASH, PROTRUSIONS, OR GATE BURRS SHALL NOT EXCEED 0.15 PER SIDE. DIMENSIONS D AND E1 ARE DETERMINED AT DATUM H.
5. PIN ONE INDICATOR MUST BE LOCATED IN THE INDICATED ZONE.

DIM	MILLIMETERS		
	MIN	NOM	MAX
A	0.90	1.00	1.10
A1	0.01	0.06	0.10
b	0.25	0.38	0.50
c	0.10	0.18	0.26
D	2.90	3.00	3.10
E	2.50	2.75	3.00
E1	1.30	1.50	1.70
e	0.85	0.95	1.05
L	0.20	0.40	0.60
L2	0.25 BSC		
M	0°	-	10°


RECOMMENDED SOLDERING FOOTPRINT*



DIMENSIONS: MILLIMETERS

*For additional information on our Pb-Free strategy and soldering details, please download the ON Semiconductor Soldering and Mounting Techniques Reference Manual, SOLDERRM/D.

ASM3P2274A

ON Semiconductor and the  are registered trademarks of Semiconductor Components Industries, LLC (SCILLC) or its subsidiaries in the United States and/or other countries. SCILLC owns the rights to a number of patents, trademarks, copyrights, trade secrets, and other intellectual property. A listing of SCILLC's product/patent coverage may be accessed at www.onsemi.com/site/pdf/Patent-Marking.pdf. SCILLC reserves the right to make changes without further notice to any products herein. SCILLC makes no warranty, representation or guarantee regarding the suitability of its products for any particular purpose, nor does SCILLC assume any liability arising out of the application or use of any product or circuit, and specifically disclaims any and all liability, including without limitation special, consequential or incidental damages. "Typical" parameters which may be provided in SCILLC data sheets and/or specifications can and do vary in different applications and actual performance may vary over time. All operating parameters, including "Typicals" must be validated for each customer application by customer's technical experts. SCILLC does not convey any license under its patent rights nor the rights of others. SCILLC products are not designed, intended, or authorized for use as components in systems intended for surgical implant into the body, or other applications intended to support or sustain life, or for any other application in which the failure of the SCILLC product could create a situation where personal injury or death may occur. Should Buyer purchase or use SCILLC products for any such unintended or unauthorized application, Buyer shall indemnify and hold SCILLC and its officers, employees, subsidiaries, affiliates, and distributors harmless against all claims, costs, damages, and expenses, and reasonable attorney fees arising out of, directly or indirectly, any claim of personal injury or death associated with such unintended or unauthorized use, even if such claim alleges that SCILLC was negligent regarding the design or manufacture of the part. SCILLC is an Equal Opportunity/Affirmative Action Employer. This literature is subject to all applicable copyright laws and is not for resale in any manner.

PUBLICATION ORDERING INFORMATION**LITERATURE FULFILLMENT:**

Literature Distribution Center for ON Semiconductor
P.O. Box 5163, Denver, Colorado 80217 USA
Phone: 303-675-2175 or 800-344-3860 Toll Free USA/Canada
Fax: 303-675-2176 or 800-344-3867 Toll Free USA/Canada
Email: orderlit@onsemi.com

N. American Technical Support: 800-282-9855 Toll Free
USA/Canada

Europe, Middle East and Africa Technical Support:
Phone: 421 33 790 2910

Japan Customer Focus Center
Phone: 81-3-5817-1050

ON Semiconductor Website: www.onsemi.com

Order Literature: <http://www.onsemi.com/orderlit>

For additional information, please contact your local
Sales Representative