

Excellent Integrated System Limited

Stocking Distributor

Click to view price, real time Inventory, Delivery & Lifecycle Information:

[ON Semiconductor](#)
[ASM3P2854CG-16TR](#)

For any questions, you can email us directly:

sales@integrated-circuit.com

ASM3P2854C



Custom Clock Generator for Fax System

Features

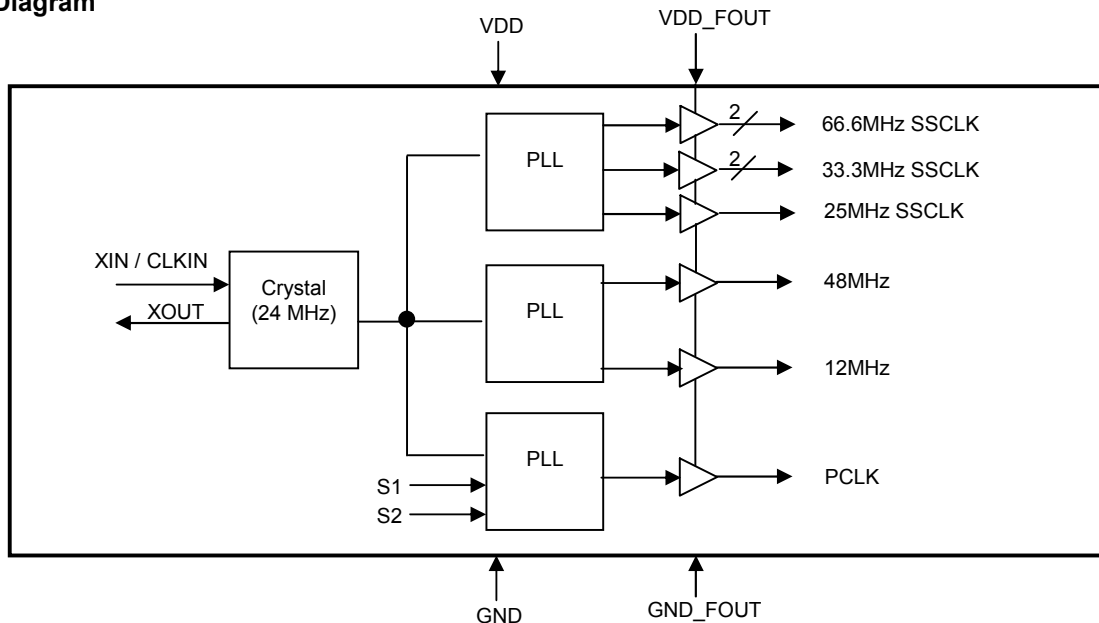
- Generates Custom Clocks for FAX system from an inexpensive 24MHz Crystal
- 2x 66.66MHz low EMI (Spread Spectrum) clocks for ASIC1 (System / DDR SDRAM)
- 1 x 48MHz for USB1.1 HOST
- 2 x 33.33MHz low EMI (Spread Spectrum) clocks for System / DDR SDRAM of ASIC2 and ASIC3
- 1x 25MHz low EMI (Spread Spectrum) clock for LCD, Serial port, and buzzer of ASIC1
- 1x 12MHz for USB PHY (USB2.0)
- 1x Programmable clock for printer engine control
- One of the four programmable clock outputs selection through two Select Pins
- Supply Voltage 3.3V ± 0.3V
- Available in 16L TSSOP, Green package

Product Description

ASM3P2854C is a part of the two chip custom clock generator solution for NEC FAX system. Together with

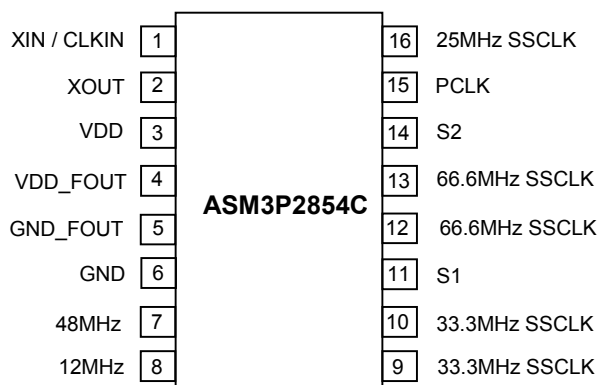
ASM3P2855D, ASM3P2854C realizes all the seventeen clocks required by the various components and subsystems of the FAX system. It uses an inexpensive 24MHz crystal as the input to generate two 66.66MHz low EMI (spread spectrum) clocks used by ASIC1 for system/ DDR SDRAM, two 33.33MHz low EMI (spread spectrum) clocks used by ASIC2 and ASIC3 for system/ DDR SDRAM, a 25MHz low EMI (Spread Spectrum) clock used by ASIC1 for LCD, Serial port, and buzzer, a 48MHz clock used by USB1.1 HOST, and a 12MHz clock used by USB PHY (USB2.0). One of the four Programmable clock (PCLK) frequencies of 24.00448MHz, 21.33732MHz, 21.19962MHz and 20.40464MHz used for Printer Engine control selectable through two Select pins S1 and S2. The accuracy of the synthesized programmable clocks is within ±18ppm. The custom clock generator works with a Supply Voltage for 3.3V. The device is available in a 16L TSSOP Green package, over 0°C to +70°C temperature range. The output Clocks have an accuracy of ±50ppm.

Block Diagram



ASM3P2854C

Pin Diagram



Pin Description

Pin#	Pin Name	Type	Description
1	XIN / CLKIN	I	Crystal connection or external reference clock input.
2	XOUT	O	Crystal connection. If using an external reference, this pin must be left unconnected.
3	VDD	P	Power supply for the core
4	VDD_FOUT	P	Power supply for the output buffers.
5	GND_FOUT	P	Ground connection for the output buffers
6	GND	P	Ground connection
7	48MHz	O	48MHz Clock Output
8	12MHz	O	12MHz Clock Output
9	33.3MHz	O	33.3 MHz low EMI Clock Output
10	33.3MHz	O	33.3 MHz low EMI Clock Output
11	S1	I	Selection Bit for Programmable Clock. To be Pulled HIGH or LOW suitably. See the PCLK Selection Table for details
12	66.6MHz	O	66.6 MHz low EMI Clock Output
13	66.6MHz	O	66.6 MHz low EMI Clock Output
14	S2	I	Selection Bit for Programmable Clock. To be Pulled HIGH or LOW suitably. See the PCLK Selection Table for details
15	PCLK	O	Programmable Clock Output
16	25MHz	O	25 MHz low EMI Clock Output

ASM3P2854C

PCLK Selection Table

S2	S1	Programmable Clock (MHz)
0	0	24.00448
0	1	21.33732
1	0	21.19962
1	1	20.40464

Absolute Maximum Ratings

Symbol	Parameter	Rating	Unit
VDD, VDD_FOUT	Voltage on any pin with respect to Ground	-0.5 to +4.6	V
T _{STG}	Storage temperature	-65 to +125	°C
T _s	Max. Soldering Temperature (10 sec)	260	°C
T _J	Junction Temperature	150	°C
T _{DV}	Static Discharge Voltage (As per JEDEC STD22- A114-B)	2	KV

Note: These are stress ratings only and are not implied for functional use. Exposure to absolute maximum ratings for prolonged periods of time may affect device reliability.

Recommended Operating Conditions

Symbol	Parameter	Min	Typ	Max	Units
T _A	Operating Temperature	0		+70	°C
VDD	Core Voltage	+3.0	+3.3	+3.6	V
VDD_FOUT	Output Buffer Voltage	+3.0	+3.3	+3.6	V

ASM3P2854C

DC Electrical Characteristics

Symbol	Parameter	Min	Typ	Max	Unit
V _{IL}	Input low voltage	GND-0.3		0.8	V
V _{IH}	Input high voltage	2.0		VDD+0.3	V
I _{IL}	Input low current			-35	μA
I _{IH}	Input high current			35	μA
I _{XOL}	XOUT output low current (V _{XOL} @ 0.4V, VDD = 3.3V)		3		mA
I _{XOH}	XOUT output high current (V _{XOH} @ 2.5V, VDD = 3.3V)		3		mA
V _{OL}	Output low voltage (VDD = 3.3V, I _{OL} = 10mA)			0.4	V
V _{OH}	Output high voltage (VDD = 3.3V, I _{OH} = -10mA)	2.5			V
I _{DD}	Static supply current ¹			15	mA
I _{CC}	Dynamic supply current (VDD=3.3V, No Load)		33		mA
VDD	Operating Core Voltage	3.0	3.3	3.6	V
VDD_FOUT	Operating Output Buffer Voltage	3.0	3.3	3.6	V
t _{ON}	Power-up time (first locked cycle after power-up) ²			5	mS
Z _O	Output impedance		30		Ω

Notes: 1. XIN / CLKIN pin is pulled to GND.
 2. VDD and CLKIN inputs are stable.

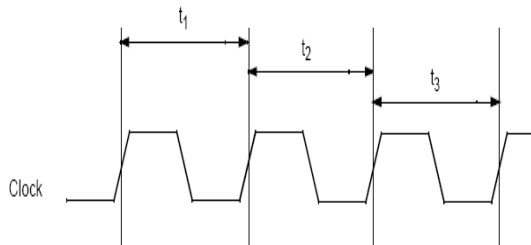
ASM3P2854C

AC Electrical Characteristics

Symbol	Parameter	Min	Typ	Max	Unit
XIN / CLKIN	Input frequency		24		MHz
F _{OUT}	At Pin 7		48		
	At Pin 8		12		
	At Pins 9 and 10		33		
	At Pins 12 and 13		66		
	At Pin 15 ¹		PCLK		
	At Pin 16		25		
f _d	Frequency Deviation for Spread Spectrum Clocks		-0.5		%
t _{LH} ²	Output rise time (measured from 20% to 80%)		1.0		nS
t _{HL} ²	Output fall time (measured from 80% to 20%)		1.0		
t _{JC}	Cycle to Cycle Jitter (For Modulated Clocks); unloaded outputs		±300		pS
t _{JP}	Period Jitter (For Non-Modulated Clocks) ; unloaded outputs			±275	
t _D	Output duty cycle	45	50	55	%

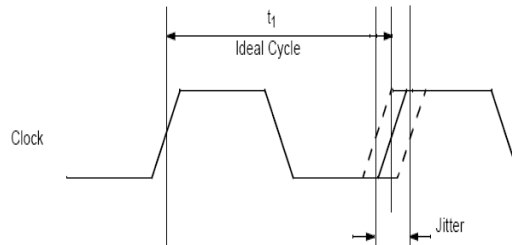
Notes: 1. See the PCLK Selection Table for PCLK Frequency.
 2. t_{LH} and t_{HL} are measured into a capacitive load of 15pF.

Cycle-Cycle Jitter



Jitter = J1 = t₂ - t₁
 Jitter = J2 = t₃ - t₂

Period Jitter



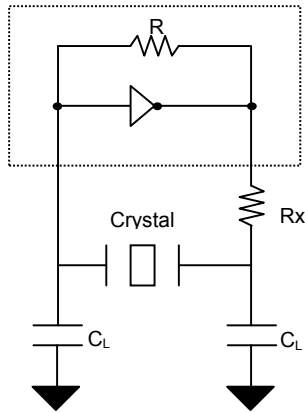
ASM3P2854C

Typical Crystal Specifications

Fundamental AT cut parallel resonant crystal	
Nominal frequency	24MHz
Frequency tolerance	± 50 ppm or better at 25°C
Operating temperature range	-25°C to +85°C
Storage temperature	-40°C to +85°C
Load capacitance(C _P)	18pF
Shunt capacitance	7pF maximum
ESR	25 Ω

Note: Note: C_L is Load Capacitance and Rx is used to prevent oscillations at overtone frequency of the Fundamental frequency.

Typical Crystal Interface Circuit

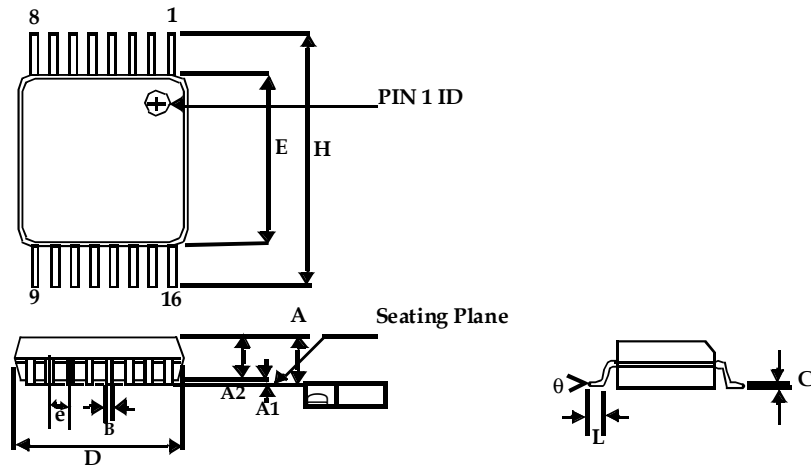


$C_L = 2 * (C_P - C_S)$,
 Where C_P = Load capacitance of crystal
 C_S = Stray capacitance due to C_{IN}, PCB, Trace etc.

ASM3P2854C

Package Information

16-lead Thin Shrunken Small Outline Package (4.40-MM Body)




Symbol	Dimensions			
	Inches		Millimeters	
	Min	Max	Min	Max
A		0.043		1.20
A1	0.002	0.006	0.05	0.15
A2	0.031	0.041	0.80	1.05
B	0.007	0.012	0.19	0.30
C	0.004	0.008	0.09	0.20
D	0.193	0.201	4.90	5.10
E	0.169	0.177	4.30	4.50
e	0.026 BSC		0.65 BSC	
H	0.252 BSC		6.40 BSC	
L	0.020	0.030	0.50	0.75
θ	0°	8°	0°	8°

ASM3P2854C

Ordering Code

Ordering Code	Marking	Package Type	Temperature
ASM3P2854CG-16TR	3P28 54C	16-pin 4.4-mm TSSOP - TAPE & REEL, Green	0°C to +70°C

A "microdot" placed at the end of last row of marking or just below the last row toward the center of package indicates Pb-free.

ON Semiconductor and  are registered trademarks of Semiconductor Components Industries, LLC (SCILLC). SCILLC reserves the right to make changes without further notice to any products herein. SCILLC makes no warranty, representation or guarantee regarding the suitability of its products for any particular purpose, nor does SCILLC assume any liability arising out of the application or use of any product or circuit, and specifically disclaims any and all liability, including without limitation special, consequential or incidental damages. "Typical" parameters which may be provided in SCILLC data sheets and/or specifications can and do vary in different applications and actual performance may vary over time. All operating parameters, including "Typicals" must be validated for each customer application by customer's technical experts. SCILLC does not convey any license under its patent rights nor the rights of others. SCILLC products are not designed, intended, or authorized for use as components in systems intended for surgical implant into the body, or other applications intended to support or sustain life, or for any other application in which the failure of the SCILLC product could create a situation where personal injury or death may occur. Should Buyer purchase or use SCILLC products for any such unintended or unauthorized application, Buyer shall indemnify and hold SCILLC and its officers, employees, subsidiaries, affiliates, and distributors harmless against all claims, costs, damages, and expenses, and reasonable attorney fees arising out of, directly or indirectly, any claim of personal injury or death associated with such unintended or unauthorized use, even if such claim alleges that SCILLC was negligent regarding the design or manufacture of the part. SCILLC is an Equal Opportunity/Affirmative Action Employer. U.S. Patent Pending; Timing-Safe and Active Bead are trademarks of PulseCore Semiconductor, a wholly owned subsidiary of ON Semiconductor. This literature is subject to all applicable copyright laws and is not for resale in any manner.

PUBLICATION ORDERING INFORMATION

LITERATURE FULFILLMENT:

Literature Distribution Center for ON Semiconductor
 P.O. Box 5163, Denver, Colorado 80217 USA
Phone: 303-675-2175 or 800-344-3860 Toll Free USA/Canada
Fax: 303-675-2176 or 800-344-3867 Toll Free USA/Canada
Email: orderlit@onsemi.com

N. American Technical Support: 800-282-9855
 Toll Free USA/Canada
Europe, Middle East and Africa Technical Support:
 Phone: 421 33 790 2910
Japan Customer Focus Center
 Phone: 81-3-5773-3850

ON Semiconductor Website:
www.onsemi.com

Order Literature: <http://www.onsemi.com/orderlit>

For additional information, please contact your local Sales Representative