

## Excellent Integrated System Limited

Stocking Distributor

Click to view price, real time Inventory, Delivery & Lifecycle Information:

[Amphenol Advanced Sensors \(formerly GE Sensing\)](#)  
[YS5869PTF](#)

For any questions, you can email us directly:

[sales@integrated-circuit.com](mailto:sales@integrated-circuit.com)



**GE Sensing**

A COMMITMENT TO EXCELLENCE

GE Sensing, Crown Industrial Estate, Priorswood Road, Taunton, Somerset, TA2 8QY, UK  
Tel +44 (0) 1823 335200 Fax +44 (0) 1823 332637

<b>TEST SPECIFICATION</b>	PART No. <b>YS5869PTF</b>	ISSUE: A
CUSTOMER: <b>Various</b>	DATE: <b>17<sup>th</sup> December, 2009</b>	QUANTITY :
Customer P/N:	ORIGINATOR: <b>M.J.Roberts</b>	PAGE 1 OF 1

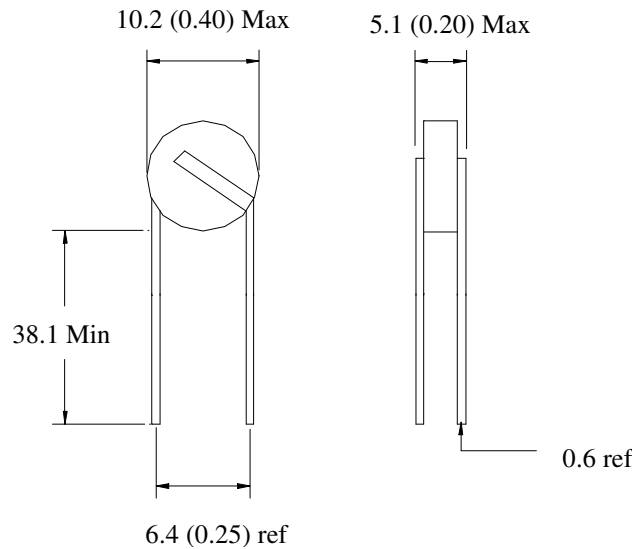
**DESCRIPTION:** PTC THERMISTOR INTENDED FOR USE AS A CURRENT LIMITING PROTECTION DEVICE

**MECHANICAL SPECIFICATION**

CONSTRUCTION: BARE CERAMIC DISC WITH UNINSULATED LEADWIRES  
THICK FILM SILVER ELECTRODES

TERMINATIONS: SOLDER COATED COPPER WIRE

DIMENSIONS in mm (inches) NTS: SEE DRAWING BELOW.



**ELECTRICAL SPECIFICATION:**

RESISTANCE AT 25°C, R <sub>25</sub> :	100Ω ± 20%	(1)
SWITCHING TEMPERATURE, T <sub>b</sub> :	120°C ± 10°C	(2)
MAXIMUM CURRENT WITHOUT TRIPPING, T <sub>amb</sub> =25°C:	80mA	
MAXIMUM CURRENT WITHOUT TRIPPING, T <sub>amb</sub> =55°C	60mA	
MINIMUM TRIP CURRENT, T <sub>amb</sub> =25°C:.....	110mA	
NORMAL OPERATING VOLTAGE, V <sub>max</sub> :	120V	
AMBIENT TEMPERATURE RANGE,		
STORAGE	- 25 to + 155°C	
AT MAXIMUM VOLTAGE	+10 to + 55°C	

**NOTES:**

- (1) Measuring Current: 1mA max.
- (2) Resistance = 2 × Resistance minimum