

Excellent Integrated System Limited

Stocking Distributor

Click to view price, real time Inventory, Delivery & Lifecycle Information:

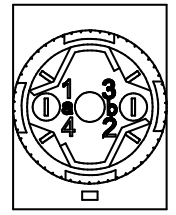
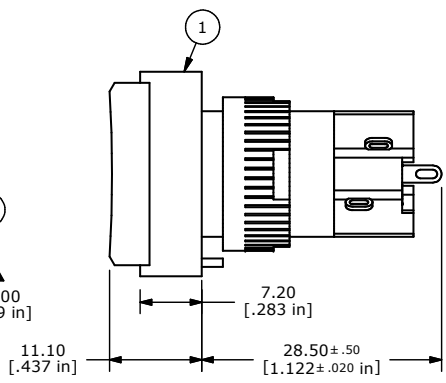
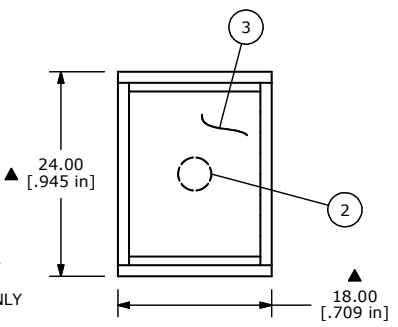
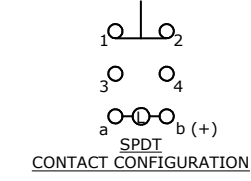
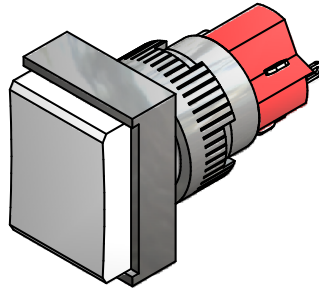
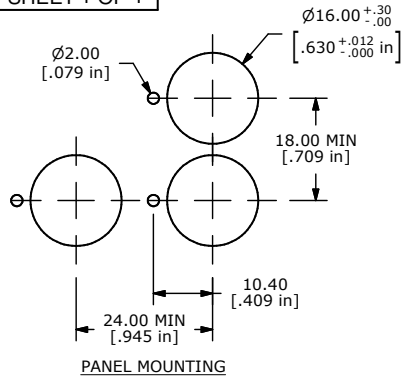
[E-Switch](#)
[D16OAT11KREDWHT](#)

For any questions, you can email us directly:

sales@integrated-circuit.com

SHEET 1 OF 1

PARTS LIST			
ITEM	QTY	PART NUMBER	DESCRIPTION
1	1	F040007	D16OAT11
2	1	F050423	5000423 24VDC RED LED
3	1	F050205	5000205 TRANSPARENT WHITE LENS



- NOTE:
- ALL DIMENSIONS IN MM [INCH]
 - GENERAL TOLERANCE: X.X=±0.4 X.XX=±0.25
 - TERMINAL NUMBERS FOR REF ONLY
 - RATING: 5A @ 250 VAC
6A @ 24 VDC
 - MECHANICAL LIFE: 100,000 CYCLES
 - ELECTRIC LIFE: 50,000 MAKE-AND-BREAK CYCLES AT FULL LOAD.
 - INSULATION RESISTANCE: 1,000 MEGA-OHM MIN.
 - OPERATING TEMP.: -20°C to 55°C
 - LAMP VOLTAGE: 24V DC RED LED
 - SEAL RATING: IP40
 - ▲ DENOTES CRITICAL PARAMETER.
 - PANEL THICKNESS: 0.5mm TO 5.0 mm.
 - 2002/05/EC (ROHS) COMPLIANT.
 - PACKAGE: BOX/20 PIECES PER BOX

TITLE D16OAT11KREDWHT			
SCALE 1.5:1	DATE 6/24/2010	DR BLR	DWG XF0822P
			REV A

A	19142	RELEASED FOR PRODUCTION	6/24/10	BLR
REV	PCR NO	DESCRIPTION	DATE	BY

THE INFORMATION CONTAINED IN THIS DOCUMENT IS PROPRIETARY TO E-SWITCH AND IS NOT TO BE COPIED OR TRANSFERRED