

## Excellent Integrated System Limited

Stocking Distributor

Click to view price, real time Inventory, Delivery & Lifecycle Information:

[Taoglas Limited](#)  
[GP.1575.18.4.A.02](#)

For any questions, you can email us directly:  
[sales@integrated-circuit.com](mailto:sales@integrated-circuit.com)

## SPECIFICATION

Part No. : **GP.1575.18.4.A.02**

Product Name : **Miniature GPS Patch Antenna**

Features : 18mm\*18mm\*4mm  
ROHS Compliant

:





## 1. Introduction

This ceramic GPS patch antenna is based on smart **XtremeGain™** technology. It is mounted via pin and double-sided adhesive and has been selected as optimal solution for the 50x50mm ground plane.

## 2. Specification Table

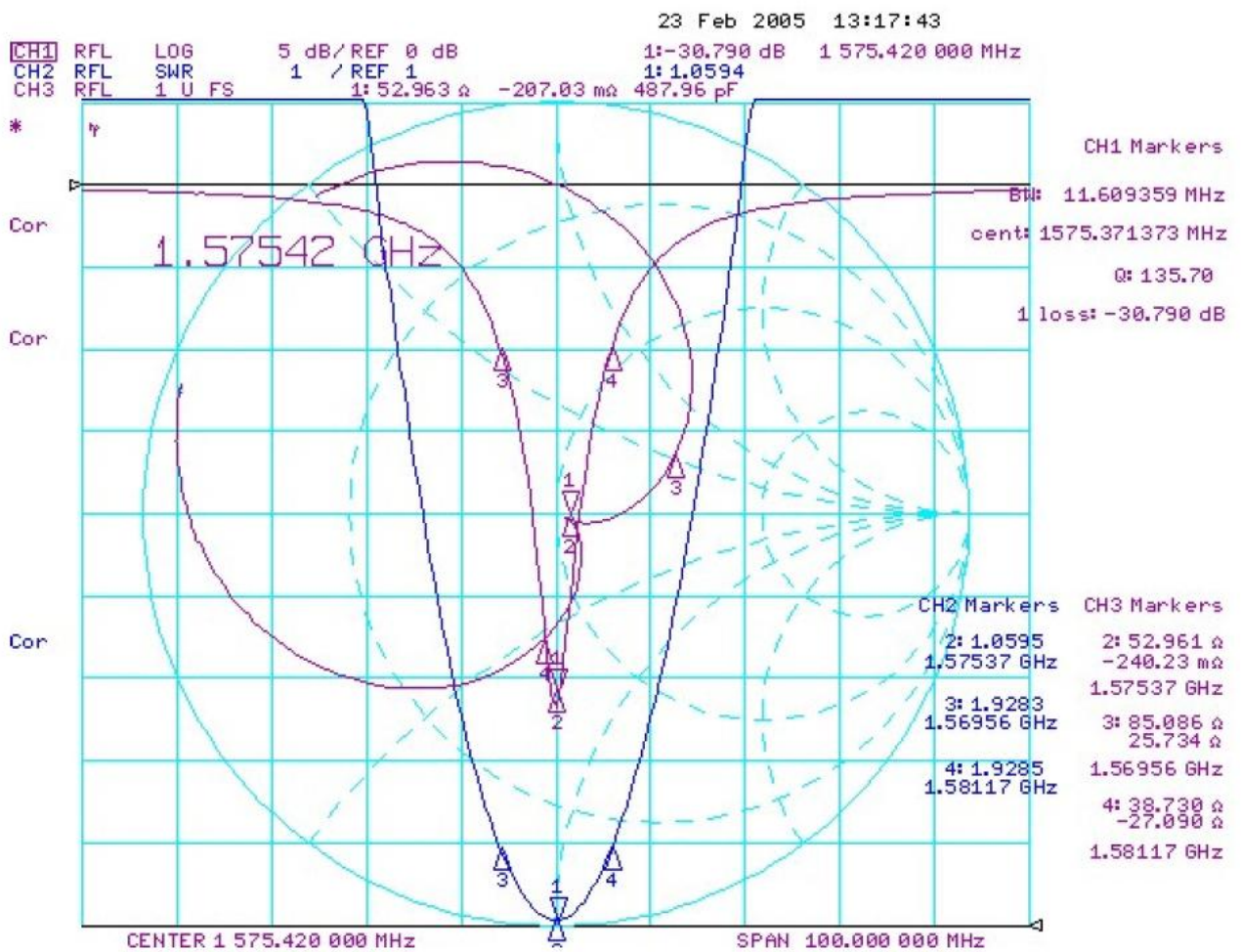
Original Patch Specification tested on 50\*50mm ground plane

| No | Parameter                              | Specification                    |
|----|--|----------------------------------|
| 1  | Center Frequency                       | 1575MHz +/- 3MHz**               |
| 2  | Impedance                              | 50Ω                              |
| 3  | Bandwidth                              | 8MHz min Return Loss <-10dB      |
| 4  | VSWR                                   | 1.5 max                          |
| 5  | Gain toward Zenith                     | +2.5 dBic typ.                   |
| 6  | Gain at 10°Elevation                   | -4.5 dBic typ.                   |
| 7  | Axial Ratio                            | 3dB Max. Center Frequency        |
| 8  | Polarization                           | Right Hand Circular Polarization |
| 9  | Frequency Temperature Coefficient (τf) | 0 ± 20ppm/°C                     |
| 10 | Operating Temperature                  | -40°C to +85°C                   |

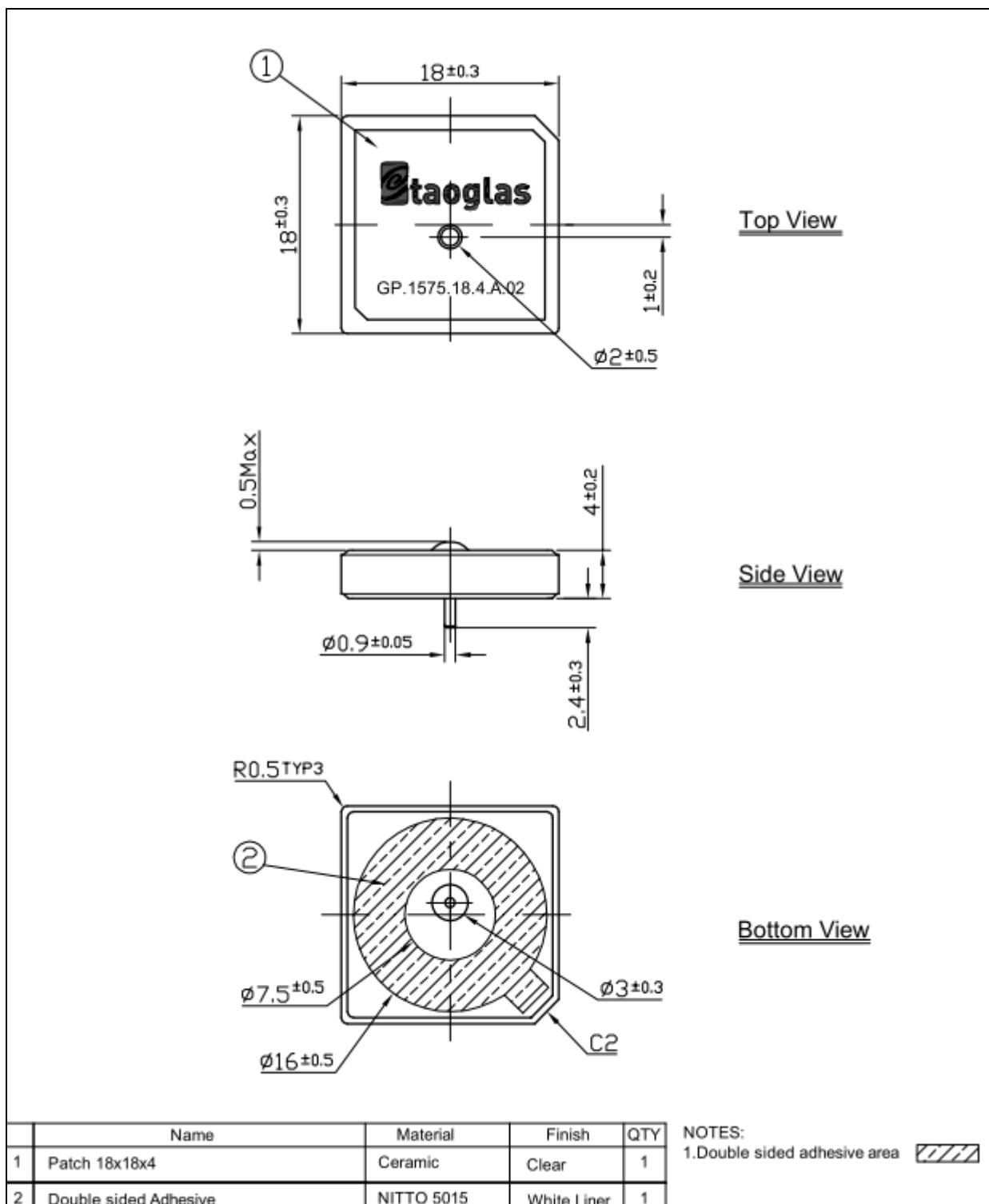
\*\*Changes in user groundplane and environment will offset centre frequency

### 3. Electrical Specification

#### 3.1 Smith Chart

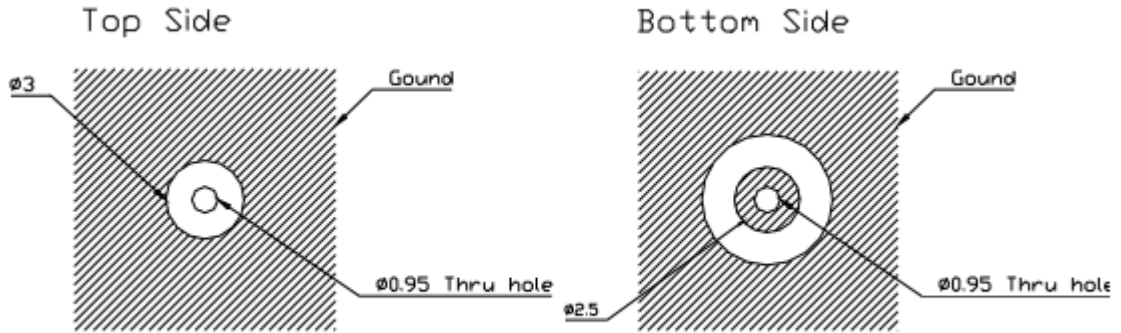


## 4. Dimensions and Drawing





### 4.1 Layout Dimension

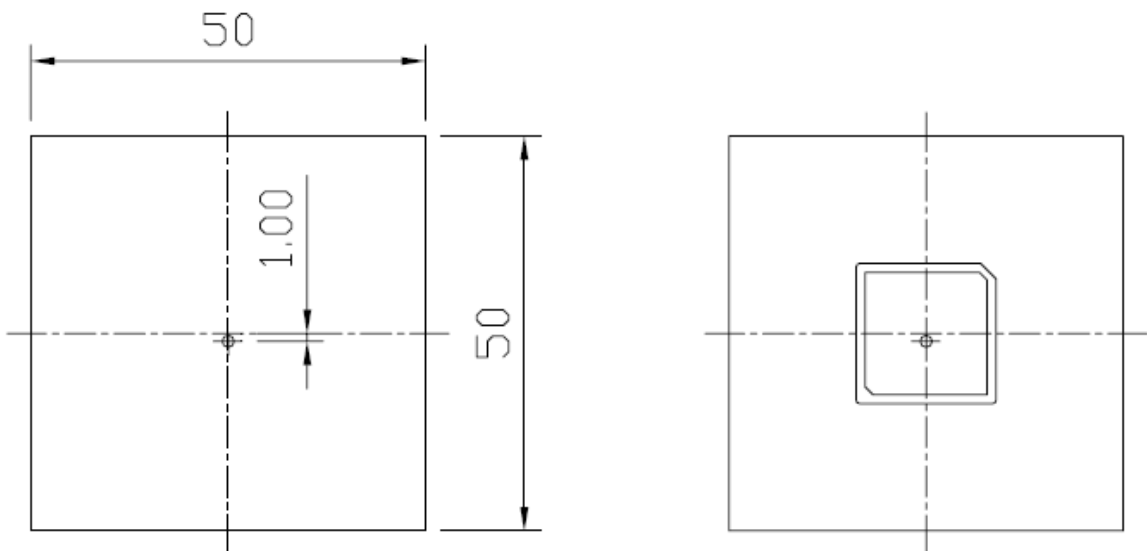


TOL:±0.20

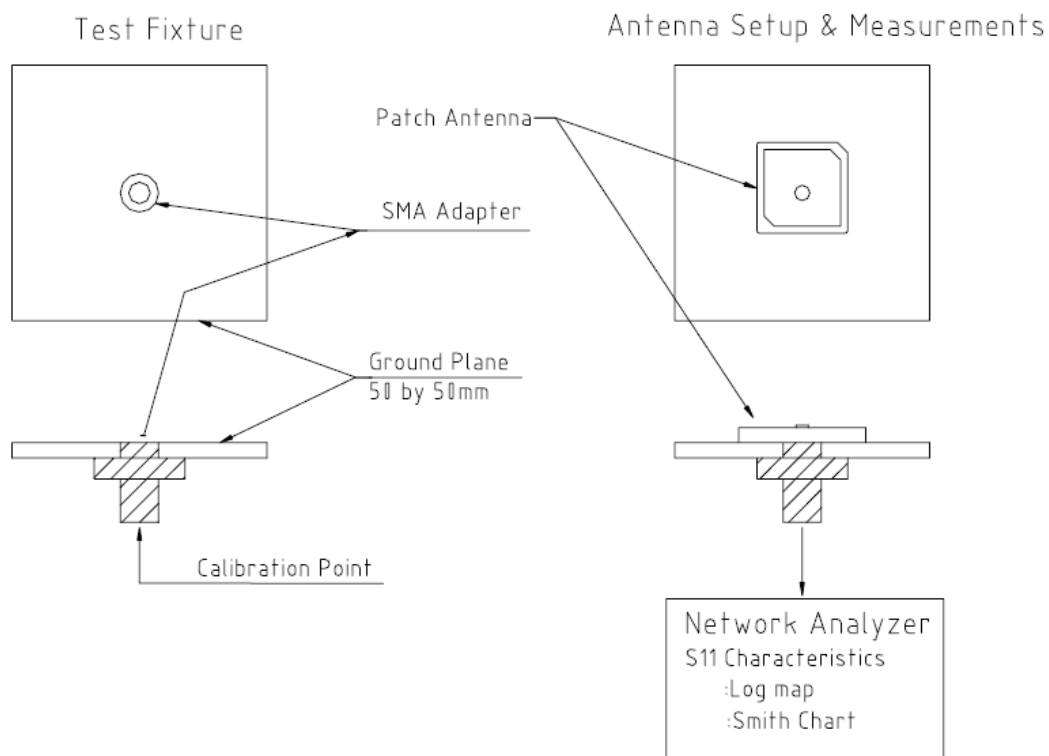
UNIT:mm

\*Note Layout Dimensions may be affected by the thickness of the PCB

### 5. Test Jig and Dimensions

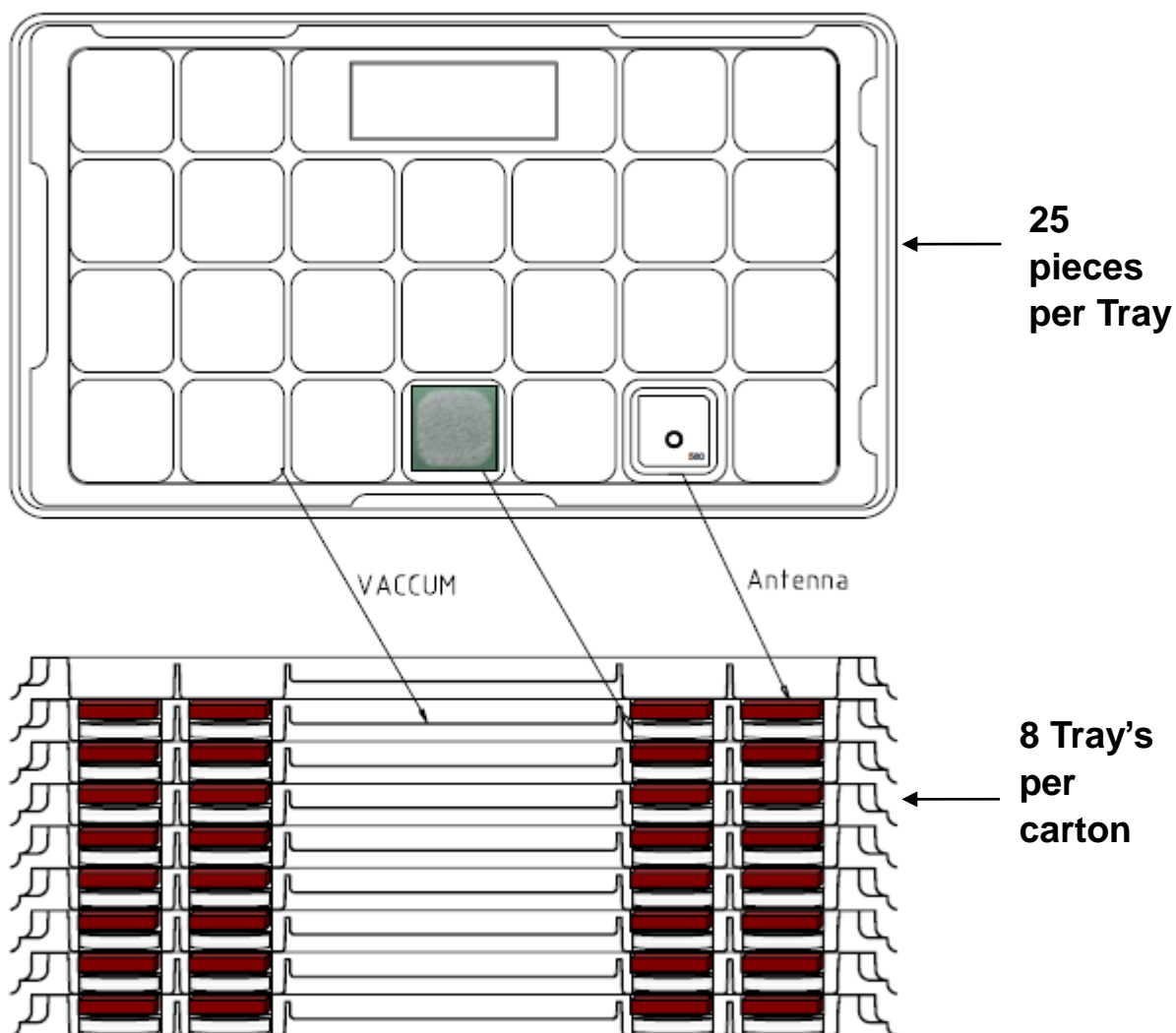


## 5.1 Test Fixture Antenna Setup & Measurements



## 6. Packaging

- Per Tray: 25 pieces
- Per Carton(Inside Box) – 8 Trays = 200 pieces
- Outer Carton (Outside Box)– 4 Cartons = 800 pieces





## Packing

