

Excellent Integrated System Limited

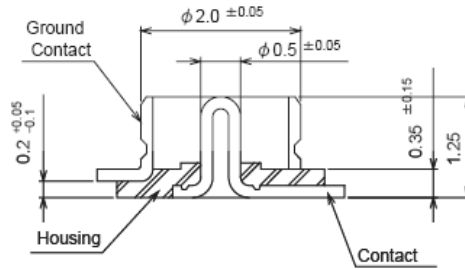
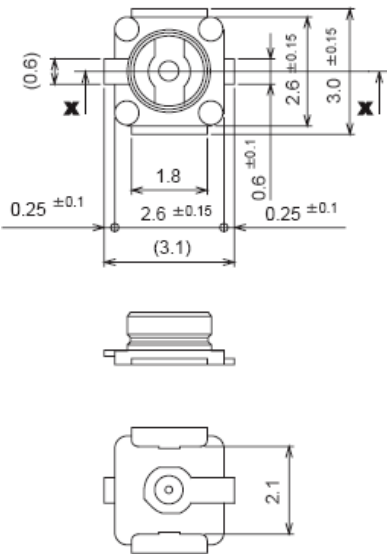
Stocking Distributor

Click to view price, real time Inventory, Delivery & Lifecycle Information:

[Taoglas Limited](#)
[RECE.20279.001E.01](#)

For any questions, you can email us directly:
sales@integrated-circuit.com

RoHS ✓



Notes:

1. Compatible with IPEX MHF, MHFII and Hirose U.FL
2. Housing: LCP, UL94V-0, white
3. Contact: Brass, gold plating
4. Ground Contact: phosphor bronze. gold plating

taoglas limited

IPEX MHF (U.FL comp) receptacle

DWG No	Part No	Unit	REV.
20279	RECE.20279.001E	mm	1