

Excellent Integrated System Limited

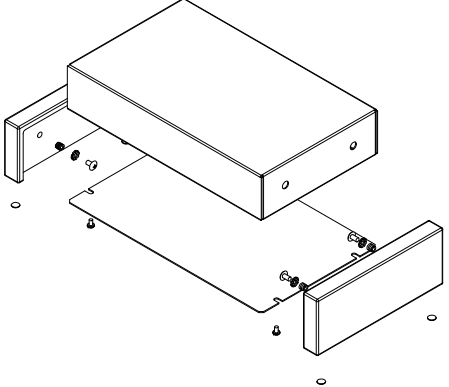
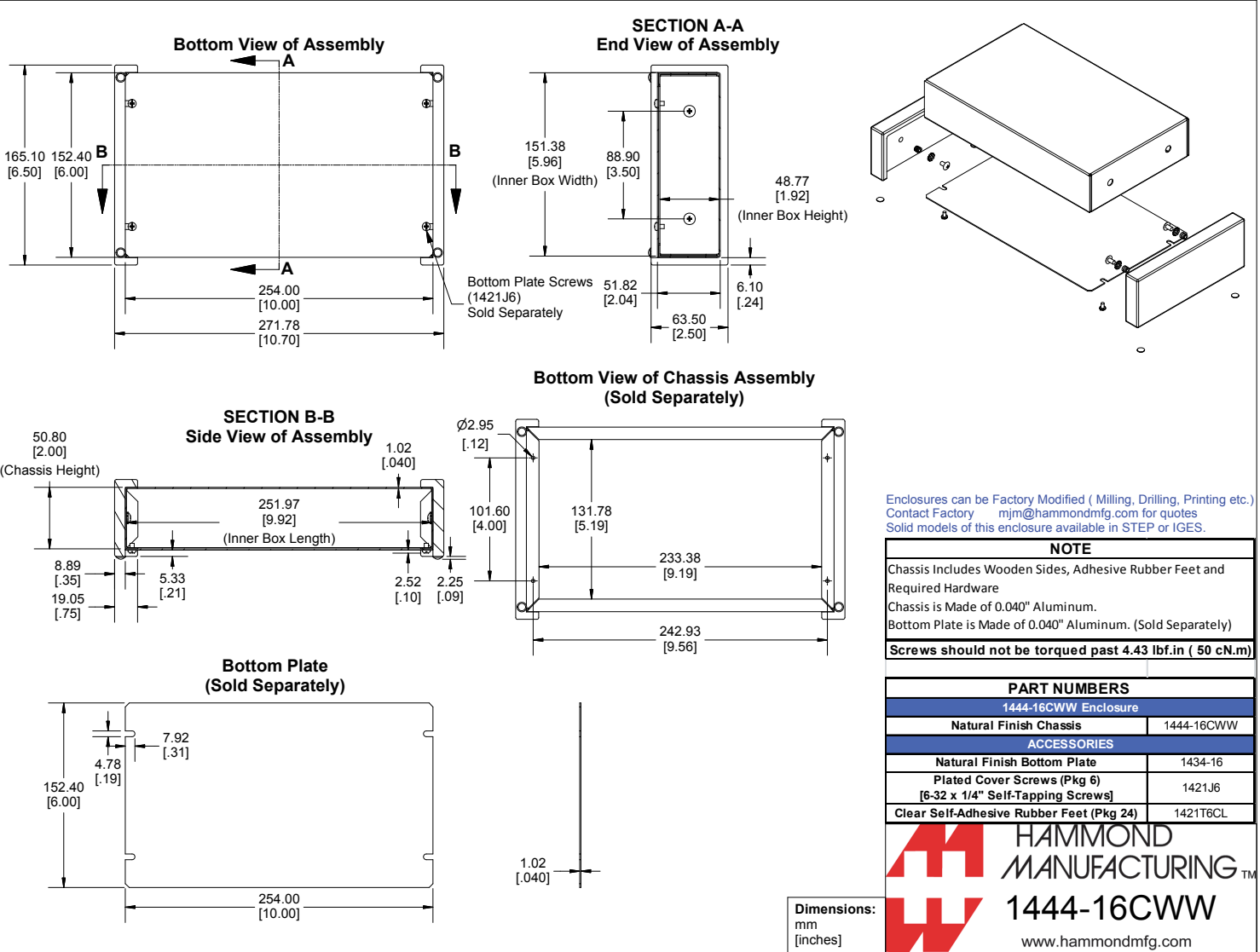
Stocking Distributor

Click to view price, real time Inventory, Delivery & Lifecycle Information:

[Hammond Manufacturing](#)
[1444-16CWW](#)

For any questions, you can email us directly:

sales@integrated-circuit.com



Enclosures can be Factory Modified (Milling, Drilling, Printing etc.)
 Contact Factory mjm@hammondmfg.com for quotes
 Solid models of this enclosure available in STEP or IGES.

NOTE	
Chassis Includes Wooden Sides, Adhesive Rubber Feet and Required Hardware	
Chassis is Made of 0.040" Aluminum.	
Bottom Plate is Made of 0.040" Aluminum. (Sold Separately)	
Screws should not be torqued past 4.43 lbf.in (50 cN.m)	

PART NUMBERS	
1444-16CWW Enclosure	
Natural Finish Chassis	1444-16CWW
ACCESSORIES	
Natural Finish Bottom Plate	1434-16
Plated Cover Screws (Pkg 6) [6-32 x 1/4" Self-Tapping Screws]	1421J6
Clear Self-Adhesive Rubber Feet (Pkg 24)	1421T6CL

HAMMOND MANUFACTURING™

1444-16CWW

www.hammondmfg.com