

Excellent Integrated System Limited

Stocking Distributor

Click to view price, real time Inventory, Delivery & Lifecycle Information:

[Wurth Electronics Inc](#)
[824014](#)

For any questions, you can email us directly:

sales@integrated-circuit.com

Specification for release

Customer : _____
 Ordercode: **824014**
 Description: **TVS Diode Array WE-TVS**
 Package: **SOT23-6L**



DATUM / DATE : 2010-01-27

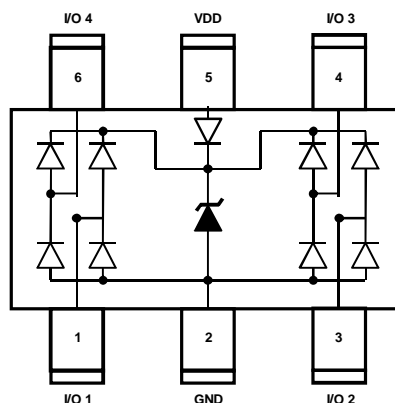
A Features

- ESD Protection for 4 high-speed I/O channels and VDD
- Provide ESD protection for each channel to IEC 61000-4-2 (ESD) $\pm 15\text{kV}$ (air), $\pm 8\text{kV}$ (contact)
IEC 61000-4-5 (Lightning) 4A (8/20 μs)
- Below 5V operating voltage: 2.5 - 3.3 - 4.2 - 5.0V
- Ultra Low capacitance: 0.55pF typical
- Fast turn on and low clamping voltage

Mechanical Characteristics:

- JEDEC SOT23-6L Package
- Molding compound flammability rating: UL94V-0
- Packaging: Tape & Reel

B Schematic and Pin Configuration:



C Absolute Maximum Ratings:

	Symbol	Rating	Unit
Peak Pulse Current (tp = 8/20 μs)	I_{PP}	4.0	A
Operating Supply Voltage, VDD to GND	V_{DC}	6	V
ESD per IEC 61000-4-2 (Air / Contact), I/O to GND	$V_{ESD,I/O}$	16 / 10	kV
ESD per IEC 61000-4-2 (Air / Contact), VDD to GND	$V_{ESD,VDD}$	30 / 20	kV
DC Voltage at any I/O Pin	V_{IO}	(GND -0,5) to (VDD +0,5)	V
Operating Temperature	T_{Op}	-55 to +85	$^{\circ}\text{C}$
Storage Temperature	T_{Sto}	-20 to +60	$^{\circ}\text{C}$

D Electrical Characteristics:

Properties	Test Conditions	Value min	Value typ	Value max	Unit
V_{RWM}	Pin 5 to Pin 2			5	V
V_{BV}	$I_{BV}=1\text{mA}$, Pin 5 to Pin 2	6			V
I_R	$V_{Pin5}=5\text{V}$, Pin 5 to Pin 2			5	μA
V_F	$I_F = 15\text{mA}$, Pin 2 to Pin 5		0.8	1	V
V_C	$I_{PP}=4\text{A}$, tp=8/20 μs , I/O to GND		8.2		V
$V_{Cl,I/O}$	$I_{TLP} = 17\text{A}$, I/O to GND		12		V
$V_{Cl,VDD}$	$I_{TLP} = 17\text{A}$, VDD to GND		9		V
C_{IO}	$V_{Pin5}=5\text{V}$, $V_{Pin2}=0\text{V}$, $V_{IO}=2.5\text{V}$, f=1MHz, I/O to GND		0.55	0.70	pF
C_{IO-F}	$V_{Pin5}=float$, $V_{Pin2}=0\text{V}$, $V_{IO}=2.5\text{V}$, f=1MHz, I/O to GND		0.70	0.90	pF
C_X	$V_{Pin5}=5\text{V}$, $V_{Pin2}=0\text{V}$, $V_{IO}=2.5\text{V}$ f=1MHz, between I/O pins		0.05	0.10	pF
C_{X-F}	$V_{Pin5}=float$, $V_{Pin2}=0\text{V}$, $V_{IO}=2.5\text{V}$ f=1MHz, between I/O pins		0.08	0.15	pF

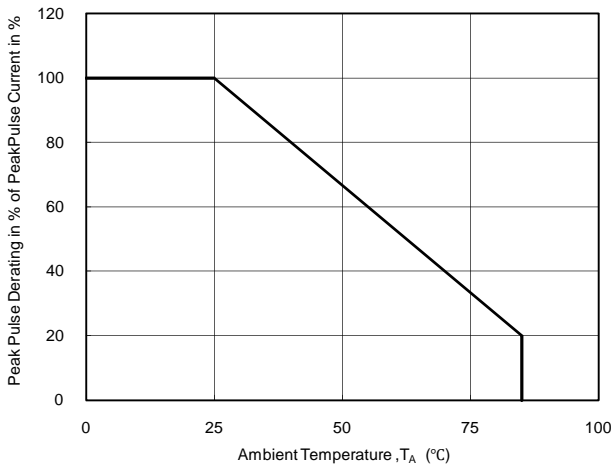
Specification for release

Customer : _____
 Ordercode: **824014**
 Description : **TVS Diode Array WE-TVS**

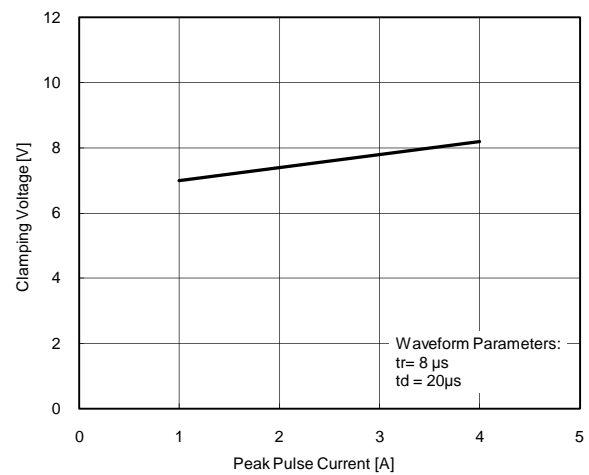


DATUM / DATE : 2010-01-27

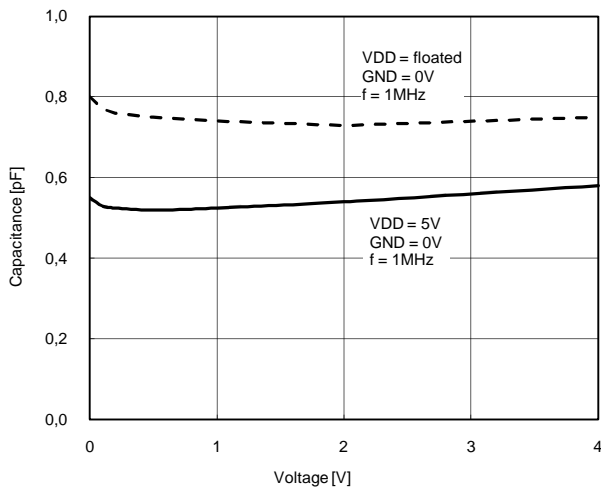
E Typical Characteristics:



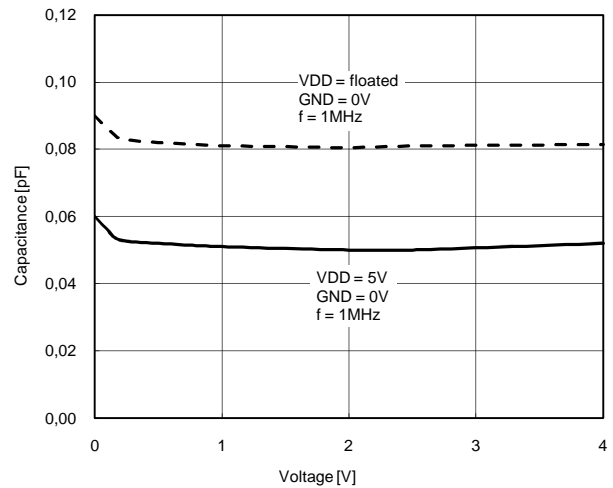
Power Derating Curve



Clamping Voltage vs. Peak Pulse Current



Variation of C_{IO} vs. V_{IO}



Variation of C_X vs. V_{IO}

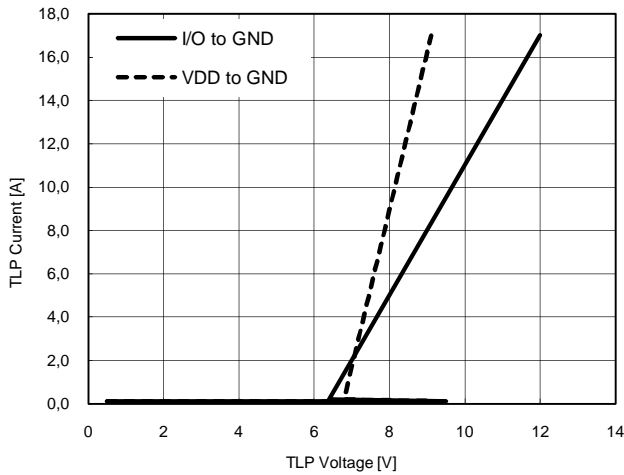
Specification for release

Customer : _____
 Ordercode: **824014**
 Description : **TVS Diode Array WE-TVS**

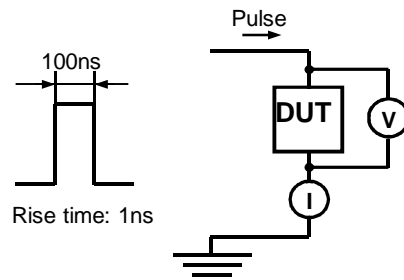


DATUM / DATE : 2010-01-27

E Typical Characteristic:

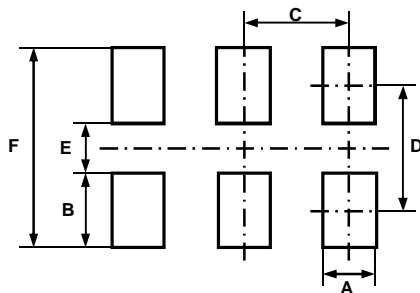


Transmission Line Pulsing (TLP) Measurement



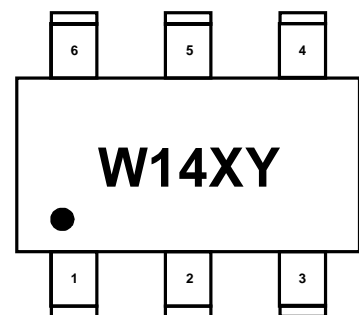
Transmission Line Pulsing System

F Recommended Land Layout:



A	0.60	mm
B	1.10	mm
C	0.95	mm
D	2.50	mm
E	1.40	mm
F	3.60	mm

G Body Marking:



W14: Device Code
 X: Date Code
 Y: Control Code

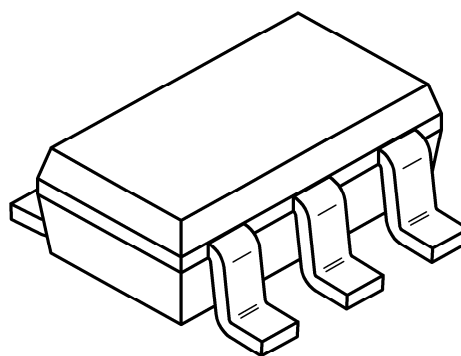
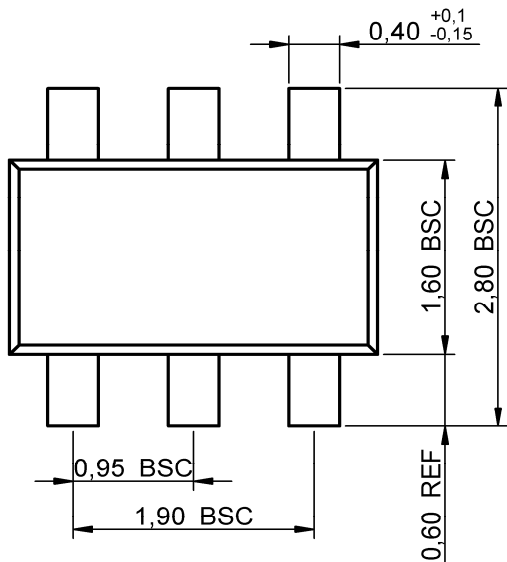
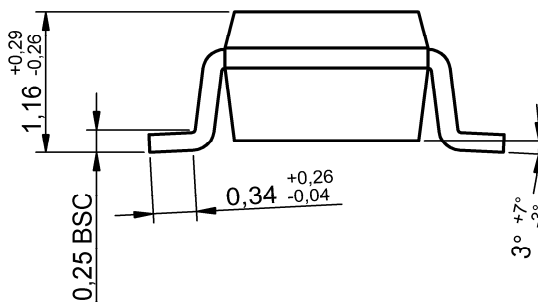
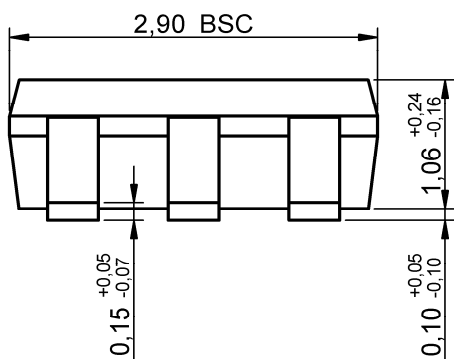
Specification for release

Customer : _____
 Ordercode: **824014**
 Description : **TVS Diode Array WE-TVS**



DATUM / DATE : 2010-01-27

H Dimensions:



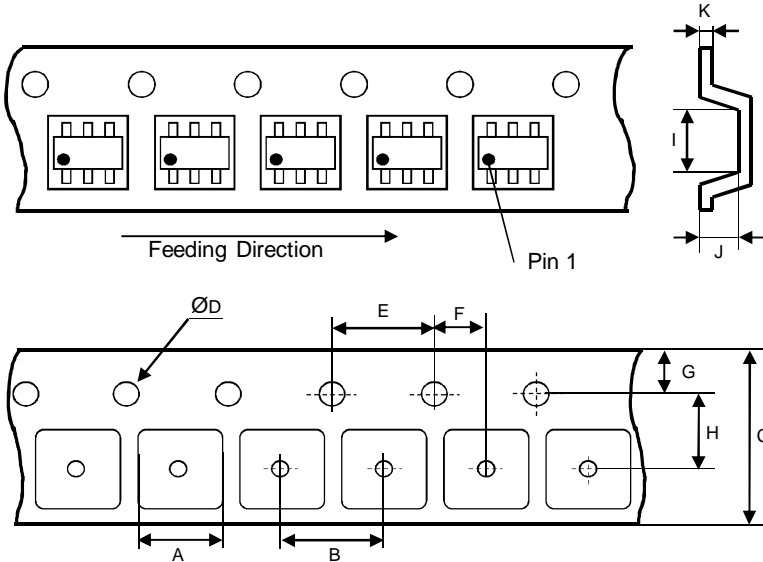
Scale - 10:1

Specification for release

Customer : _____
 Ordercode: **824014**
 Description : **TVS Diode Array WE-TVS**

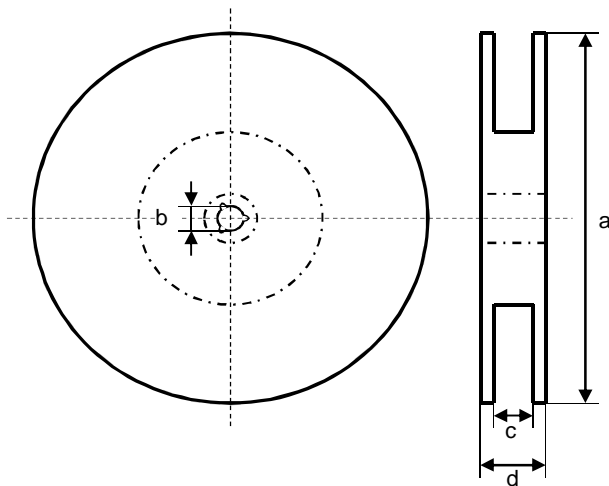


I Tape:

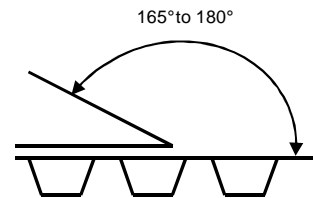


A	4.00 ± 0.10	mm
B	4.00 ± 0.10	mm
C	8.00 ± 0.20	mm
D	1.55 ± 0.05	mm
E	4.00 ± 0.10	mm
F	2.00 ± 0.05	mm
G	1.75 ± 0.10	mm
H	3.50 ± 0.05	mm
I	3.25 ± 0.15	mm
J	1.35 ± 0.15	mm
K	0.25 ± 0.02	mm

J Reel:



a	178.0 ± 2.0	mm
b	13.0 ± 0.8	mm
c	10.0 ± 1.5	mm
d	12.5 ± 2.0	mm



Quantity per Reel: 3000

General Release:	Customer		
	Date	Signature	
Checked	Würth Elektronik		
	Approved		
	Name	Modification	Date
	JB	Version 2	2010-01-27
	JB	Version 1	2008-10-13

This electronic component has been designed and developed for usage in general electronic equipment. Before incorporating this component into any equipment where higher safety and reliability is especially required or if there is the possibility of direct damage or injury to human body, for example in the range of aerospace, aviation, nuclear control, submarine, transportation, (automotive control, train control, ship control), transportation signal, disaster prevention, medical, public information network etc, Würth Elektronik eiSos GmbH must be informed before the design-in stage. In addition, sufficient reliability evaluation checks for safety must be performed on every electronic component which is used in electrical circuits that require high safety and reliability functions or performance.