

Excellent Integrated System Limited

Stocking Distributor

Click to view price, real time Inventory, Delivery & Lifecycle Information:

[Mill-Max](#)

[714-43-264-31-018000](tel:714-43-264-31-018000)

For any questions, you can email us directly:

sales@integrated-circuit.com



SINGLE-IN-LINE SOCKETS
Ultra Low Profile Carriers
Single and Double Row

Series 714... 01X

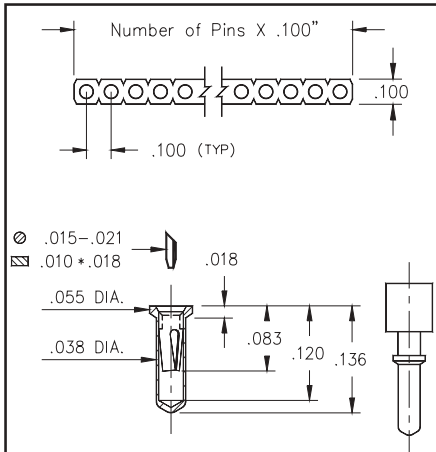


Fig. 1

- Ultra low profile receptacles sit .018" above the board.
- Series 714 uses M-M# 0552-1, 0552-2 pin receptacles. See page 127 for details.
- Hi-Rel, 3-finger BeCu #11 clip is rated at 3amps. See page 206 for details.



Ordering Information

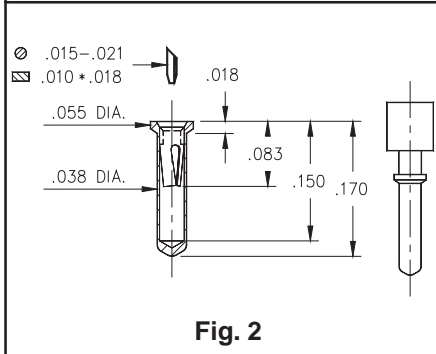


Fig. 2

Fig. 1

Single Row (.039 min. mounting hole)

714-XX-1_ _-31-012

Specify # of pins → 01-64

Fig. 2

Single Row (.039 min. mounting hole)

714-XX-1_ _-31-018

Specify # of pins → 01-64

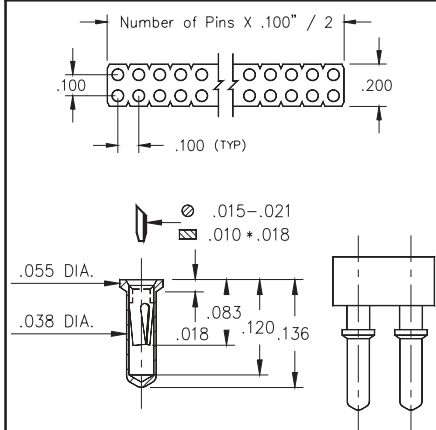


Fig. 3

Fig. 3

Double Row (.039 min. mounting hole)

714-XX-2_ _-31-012

Specify # of pins → 02-64

Fig. 4

Double Row (.039 min. mounting hole)

714-XX-2_ _-31-018

Specify # of pins → 02-64

*XX= Plating Code
See Below*

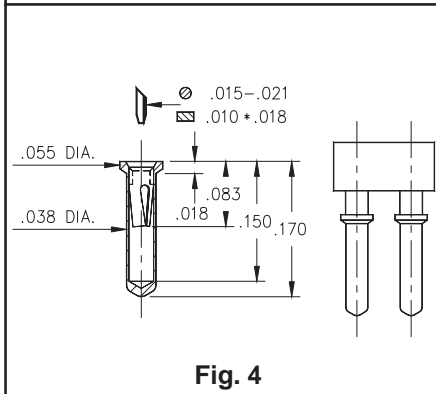


Fig. 4

SPECIFY PLATING CODE XX=			93	99
Sleeve (Pin)			200μ" Sn/Pb	200μ" Sn/Pb
Contact (Clip)			30μ" Au	200μ" Sn/Pb