

## Excellent Integrated System Limited

Stocking Distributor

Click to view price, real time Inventory, Delivery & Lifecycle Information:

[Cramer Company](#)  
[20001](#)

For any questions, you can email us directly:

[sales@integrated-circuit.com](mailto:sales@integrated-circuit.com)



# INTERVAL TIMER SERIES 241—Push Button Reset

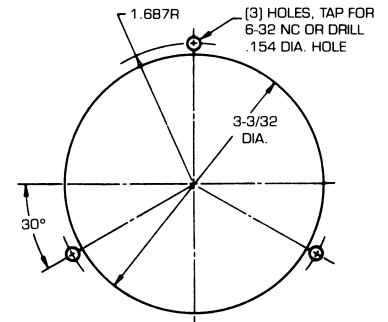
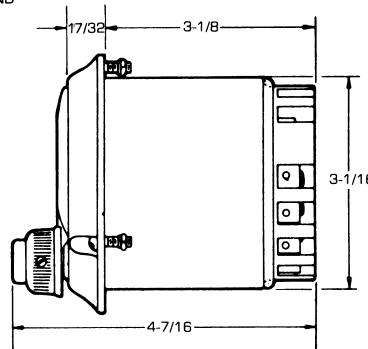
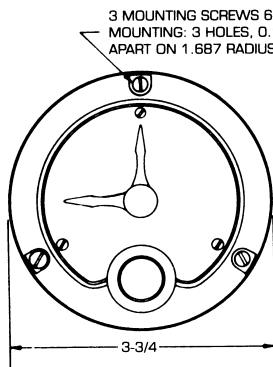
Interval Timers are used to control the length of a procedure or to delay the start of a procedure.

## APPLICATIONS INCLUDE:

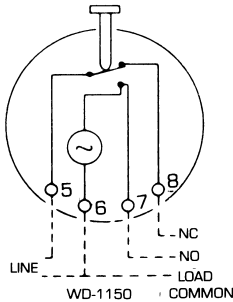
- control process time on commercial dark room equipment
- control baking time on commercial ovens
- control charging time on battery chargers

## FEATURES:

- Integral push button
- Heavy duty contacts
- High accuracy
- Automatic reset
- Long life
- U/L-CSA



## WIRING



TIME RANGES:			
TIME RANGES	DIAL DIVISIONS	TIME RANGES	DIAL DIVISIONS
6 sec.	0.1 sec.	30 min.	30.0 sec.
15 sec.	0.25 sec.	60 min.	1.0 min.
30 sec.	0.5 sec.	5 hr.	5.0 min.
60 sec.	1.0 sec.	12 hr.	15.0 min.
5 min.	5.0 sec.	24 hr.	30.0 min.
15 min.	15.0 sec.		

**Minimum Setting:** Two dial divisions  $\pm$  0.5% of full scale.

**Repeat Accuracy:**  $\pm$  0.5% of full scale.

**Dial:** Fully enclosed, black on white, high visibility dial with 300° scale protected by plastic dome of excellent optical quality and shock resistance.

**Reset:** Less than 1/2 second reset time.

**Power:** Available for 115 or 220 volts at 50 and 60 Hz.

**Power Input:** 4.75 volt-amperes at rated voltage, 60 Hz.

**Load Contacts:** Ratings with non-inductive load: 15 amps at 125 volts; 10 amps at 250 volts, SPDT snap-action load contacts are silver-cadmium oxide.

**Terminals:** Screw-lug terminal block.

**Motor:** Cramer permanent-magnet motor, quick start, synchronous operation, no coasting on removal of power.

**Clutch:** Positive, no-slip, 60 tooth ratchet, long mechanical life and high accuracy.

CRAMER specializes in providing sub-fractional motors, timers and electro-mechanical devices to meet your specific application. For special and non-standard designs, consult your CRAMER representative.

# CRAMER COMPANY

139 Mill Rock Road, East, Old Saybrook, CT 06475-1261  
 (203)-388-3574 • 1-800-247-6784 • FAX: (203)-388-9831