

Excellent Integrated System Limited

Stocking Distributor

Click to view price, real time Inventory, Delivery & Lifecycle Information:

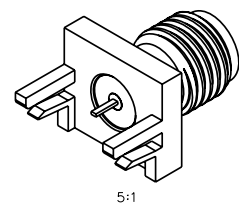
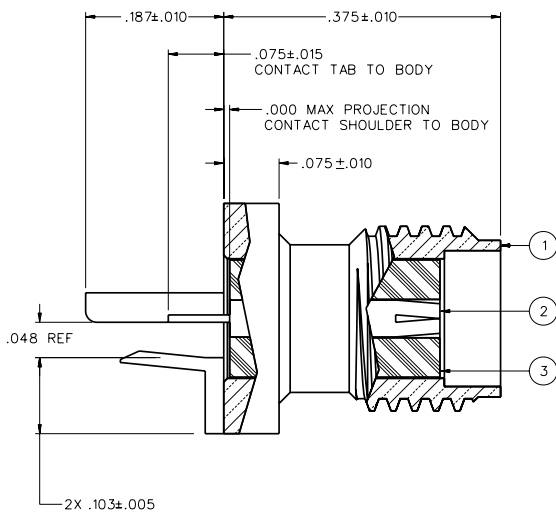
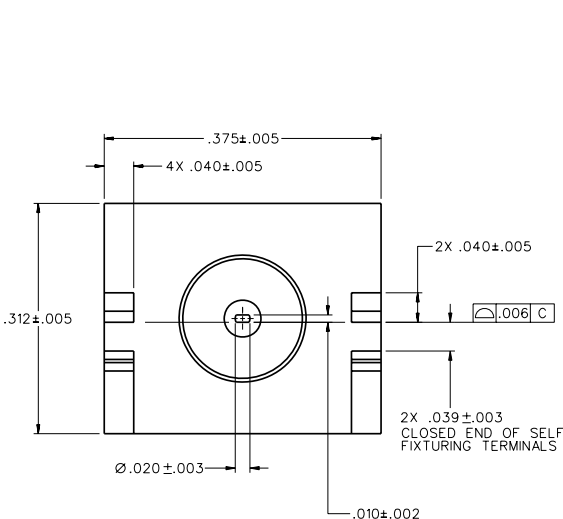
[Bel Fuse Inc.](#)
[142-0791-811](#)

For any questions, you can email us directly:
sales@integrated-circuit.com



PART NUMBER	ITEM ①	ITEM ②	ITEM ③
142-0791-811	BODY BRASS GOLD PL .00001 MIN OVER NICKEL PL .00005 MIN OVER COPPER PL .00005 MIN	CONTACT BERYLLIUM COPPER GOLD PL .00003 MIN OVER NICKEL PL .00005 MIN OVER COPPER PL .00005 MIN	INSULATOR TEFLON

DRAWING NO.	C - 142-0791-811/820
REVISIONS	0



NOTES:

1. SPECIFICATIONS:

ELECTRICAL:

IMPEDANCE: 50 OHMS
 FREQUENCY RANGE: 0-18 GHz (10 GHz MAX TYPICAL CIRCUIT BOARD TRANSITION)
 VSWR: NOT APPLICABLE
 WORKING VOLTAGE: 335 VRMS MAX AT SEA LEVEL
 DIELECTRIC WITHSTANDING VOLTAGE: 1000 VRMS MIN AT SEA LEVEL
 INSULATION RESISTANCE: 5000 MEGOHMS MIN
 CONTACT RESISTANCE: CENTER CONTACT - INITIAL 3 MILLIOHMS MAX, AFTER ENVIRONMENTAL 4 MILLIOHMS MAX
 OUTER CONDUCTOR - INITIAL 2.0 MILLIOHMS MAX
 BRAID TO BODY - NOT APPLICABLE
 AFTER ENVIRONMENTAL - NOT APPLICABLE

CORONA LEVEL: 250 VOLTS MIN AT 70,000 FEET
 INSERTION LOSS: NOT APPLICABLE
 RF LEAKAGE: NOT APPLICABLE
 RF HIGH POTENTIAL WITHSTANDING VOLTAGE: 670 VRMS MIN AT 4 AND 7 MHz

MECHANICAL:

ENGAGE/DISENGAGE TORQUE: 2 INCH POUNDS MAX
 MATING TORQUE: 7-10 INCH POUNDS
 COUPLING PROOF TORQUE: NOT APPLICABLE
 COUPLING NUT RETENTION: NOT APPLICABLE
 CONTACT RETENTION: 6 LBS MIN AXIAL FORCE
 4 OZ-IN MIN RADIAL TORQUE

CABLE ACCEPTABILITY: NOT APPLICABLE
 CABLE RETENTION: NOT APPLICABLE
 DURABILITY: 500 CYCLES MIN

ENVIRONMENTAL:

(MEETS OR EXCEEDS THE APPLICABLE PARAGRAPH OF MIL-PRF-39012)
 THERMAL SHOCK: MIL-STD-202, METHOD 107, CONDITION B
 OPERATING TEMPERATURE: -65° C TO 165° C
 CORROSION: MIL-STD-202, METHOD 101, CONDITION B
 SHOCK: MIL-STD-202, METHOD 213, CONDITION I
 VIBRATION: MIL-STD-202, METHOD 204, CONDITION D
 MOISTURE RESISTANCE: MIL-STD-202, METHOD 106

2. EMERSON NETWORK POWER CONNECTIVITY SOLUTIONS SELF FIXTURE
 END LAUNCH CONNECTORS ARE COVERED UNDER
 US PATENT NUMBER 7,500,855.

FOR QUOTATION ONLY
 UNAPPROVED
 CUSTOMER DRAWING
 THIS DRAWING TO BE INTERPRETED
 PER ASME Y 14.5M - 1994
 "μ STATION"
 COMPANY CONFIDENTIAL

TOLERANCE UNLESS OTHERWISE SPECIFIED	DRAWN BY T.A.Kari	DATE 9-18-07	Connectivity Solutions EMERSON <small>Network Power</small> P.O. Box 1732 Waseca, MN 56093 1-800-247-8256
DECIMALS mm	CHECKED BY	DATE	
.XX —	APPROVED BY	DATE	TITLE JACK ASSEMBLY SELF FIXTURING END LAUNCH SMA, .042 BOARD THICKNESS
.XXX —	RELEASE DATE		SHEET 2 OF 2
MATL	U/M INCH	SCALE 10:1	DRAWING NO. C - 142-0791-811/820
FINISH			