

Excellent Integrated System Limited

Stocking Distributor

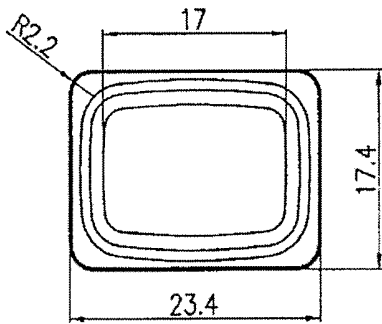
Click to view price, real time Inventory, Delivery & Lifecycle Information:

[CW Industries](#)
[GRB066A802BB1](#)

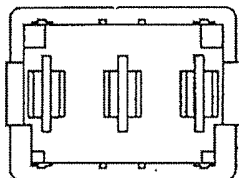
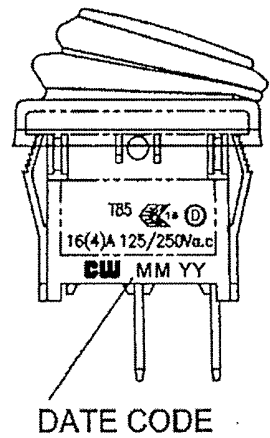
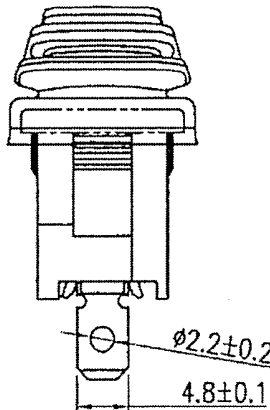
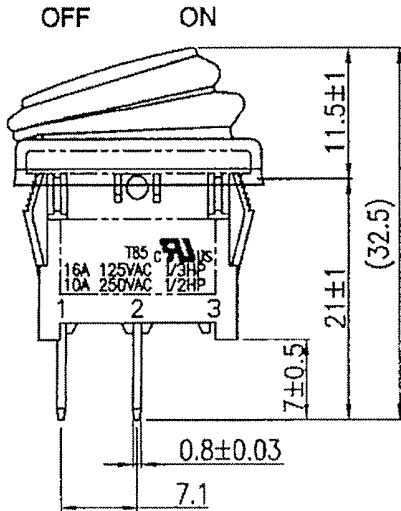
For any questions, you can email us directly:
sales@integrated-circuit.com

THIS INFORMATION IS CONFIDENTIAL AND PROPRIETARY TO CW INDUSTRIES INCORPORATED AND ITS AFFILIATES. IT MAY NOT BE DISCLOSED TO ANYONE, OTHER THAN CW INDUSTRIES PERSONNEL, WITHOUT WRITTEN AUTHORIZATION FROM CW INDUSTRIES INCORPORATED, SOUTHAMPTON, PENNSYLVANIA USA.

Rating	16A 125V AC 1/3 HP 10A 250V AC 1/2 HP 16A. 12VDC 6A. 28VDC		Mounting Hole 	Circuit Diagram
	16(4)A 125/250V AC			
	20A 12V DC			
Contact Resistance	50m ohm Max.			
Insulation Resistance	DC 500V 100M ohm Min.			
Dielectric Strength	AC 1500V 1 minute			
Operation Temp.	- 25°C ~ 85°C			
Switch Function	2P SPST ON-OFF			



Material:
 Frame: Black, Nylon 66(94-V2)
 Actuator: Black, PC(94-V2)
 Waterproof Rubber: Black, Silicone
 Terminals: Silver plated, Copper alloy
 Hot stamping: None
 Waterproof: IP65



Tolerances ±0.3 Unless Otherwise Specified

RoHS Compliant

3 Updated ratings and views. 2-21-13.

CW INDUSTRIES
 Southampton, Pa. 18966
 Tel 215.355.7080/www.cwind.com

Date Drawn: 10/02/09

Rev. 3

Unit: mm

Checked By: *G. Gold*

Title: **ROCKER SWITCH**

CW P/N: **GRB066A802BB1**