

Excellent Integrated System Limited

Stocking Distributor

Click to view price, real time Inventory, Delivery & Lifecycle Information:

[CW Industries](#)
[GRB260C101BBNN](#)

For any questions, you can email us directly:
sales@integrated-circuit.com

THIS INFORMATION IS CONFIDENTIAL AND PROPRIETARY TO CW INDUSTRIES INCORPORATED AND ITS AFFILIATES. IT MAY NOT BE DISCLOSED TO ANYONE, OTHER THAN CW INDUSTRIES PERSONNEL, WITHOUT WRITTEN AUTHORIZATION FROM CW INDUSTRIES INCORPORATED, SOUTHAMPTON, PENNSYLVANIA USA.

Rating	20A 125VAC 10A 250VAC 16A 125VAC 3/4HP 10A 277VAC 3/4HP	Mounting Hole 		Circuit Diagram
	21A 14VDC			
Contact Resistance	50m ohm Max.	Thickness(mm)	X(mm)	Y(mm)
Insulation Resistance	DC 500V 100M ohm Min.	0.75~1.25	21.2+0.1	36.6 ^{+0.2}
Dielectric Strength	AC 1500V 1 minute	1.25~2.0		36.8 ^{+0.2}
Operation Temperature	-20°~+85°	2.0~3.0		37.0 ^{+0.2}
Switch Function	3P SPDT ON-ON			

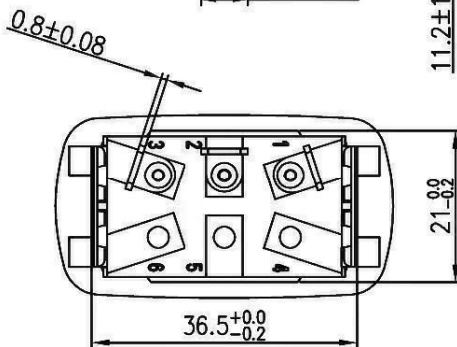
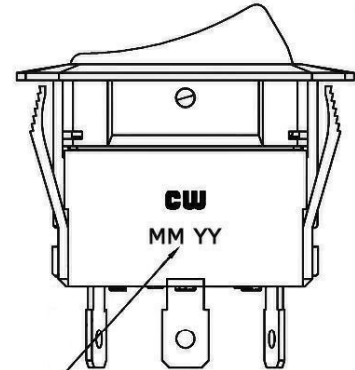
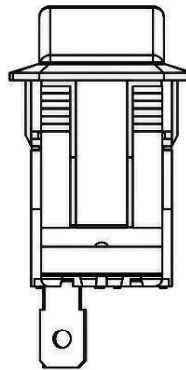
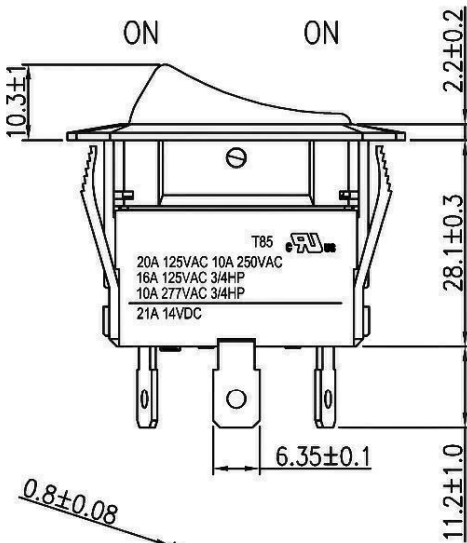
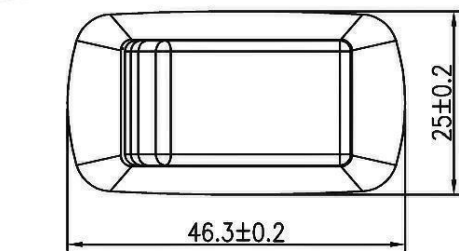
* MATERIAL:

Frame: Nylon#66, Black

Actuator: Nylon#66 with 33%GF, Black

Printed: None

Water proof and dust proof to fit IP-56



RoHS Compliant

1 | 20A 125VAC 10A 250VAC was 20A 125VAC 10A 25VAC IN RATING 1/24/11.

CW INDUSTRIES
 Southampton, Pa. 18966
 Tel 215.355.7080/www.cwind.com

Date Drawn: 1/24/11

Rev. 1

Unit: mm

Checked By: G.Guld

Title: **ROCKER SWITCH**

CW P/N: **GRB260C101BBNN**