

Excellent Integrated System Limited

Stocking Distributor

Click to view price, real time Inventory, Delivery & Lifecycle Information:

[CW Industries](#)
[GRB292N101BBNN1](#)

For any questions, you can email us directly:
sales@integrated-circuit.com

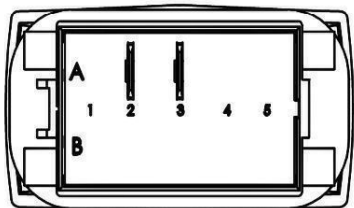
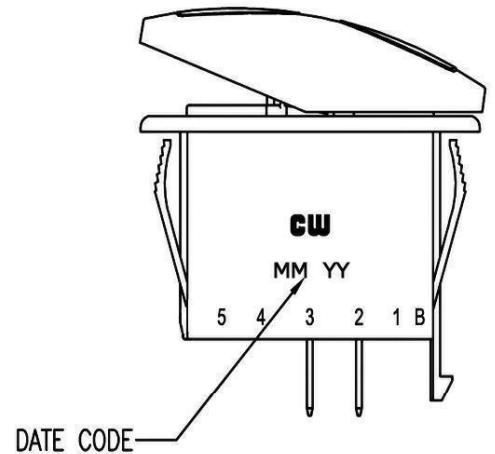
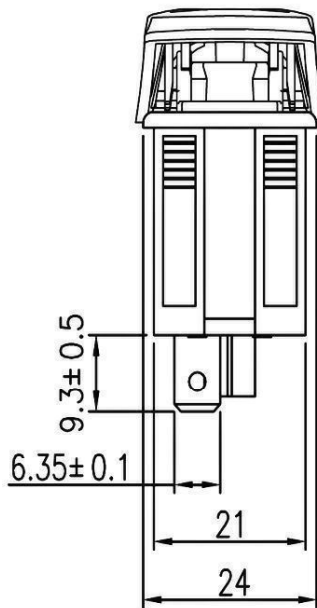
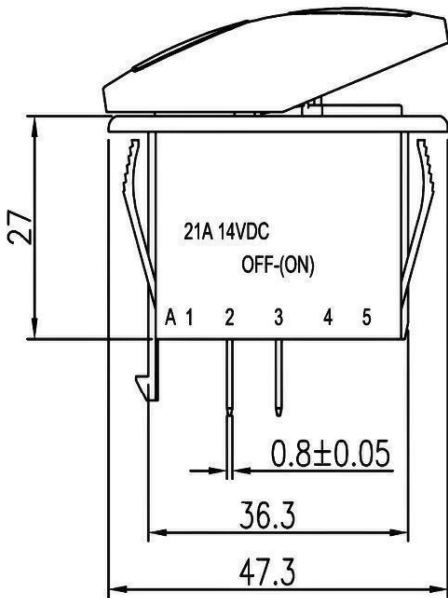
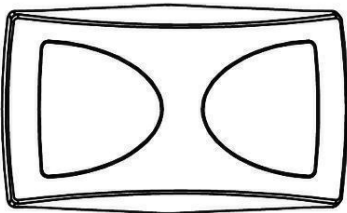
THIS INFORMATION IS CONFIDENTIAL AND PROPRIETARY TO CW INDUSTRIES INCORPORATED AND ITS AFFILIATES. IT MAY NOT BE DISCLOSED TO ANYONE, OTHER THAN CW INDUSTRIES PERSONNEL, WITHOUT WRITTEN AUTHORIZATION FROM CW INDUSTRIES INCORPORATED, SOUTHAMPTON, PENNSYLVANIA USA.

Rating	21A 14VDC	Mounting Hole	Circuit Diagram									
Contact Resistance	50m ohm Max.											
Insulation Resistance	DC 500V 100M ohm Min.											
Dielectric Strength	AC 1500V 1 minute											
Operation Temperature	- 25 ° ~ + 85 °											
Switch Function	2P SPST OFF - (ON)	<table border="1"> <tr> <th>Thickness(mm)</th> <th>X(mm)</th> <th>Y(mm)</th> </tr> <tr> <td>0.75~1.25</td> <td rowspan="3">21.0^{+0.3}₀</td> <td>36.6+0.1</td> </tr> <tr> <td>1.25~2.0</td> <td>36.8+0.1</td> </tr> <tr> <td>2.0~3.0</td> <td>37.0+0.1</td> </tr> </table>	Thickness(mm)	X(mm)	Y(mm)	0.75~1.25	21.0 ^{+0.3} ₀	36.6+0.1	1.25~2.0	36.8+0.1	2.0~3.0	37.0+0.1
Thickness(mm)	X(mm)	Y(mm)										
0.75~1.25	21.0 ^{+0.3} ₀	36.6+0.1										
1.25~2.0		36.8+0.1										
2.0~3.0		37.0+0.1										

() = Momentary Function

Material:

1. Frame: Nylon-66(94V-2)
 Actuator: Nylon-66+33%GF
 Lens: PC
 Terminal: Silver plated copper
 (excepted lamp terminal)
 Printed: None
2. Waterproof: "IP-67".



TOLERANCE: ±0.3mm UNLESS OTHERWISE SPECIFIED.

RoHS Compliant

2	Changed IP-66 to IP-67. 12/13/10
1	Reversed Button & Function direction. 8/24/10.

CW INDUSTRIES
 Southampton, Pa. 18966
 Tel 215.355.7080/www.cwind.com

Date Drawn: 5/20/10

Rev. 2

Unit: mm

Checked By: EJP

Title: **ROCKER SWITCH**

CW P/N: **GRB292N101BBNN1**