

Excellent Integrated System Limited

Stocking Distributor

Click to view price, real time Inventory, Delivery & Lifecycle Information:

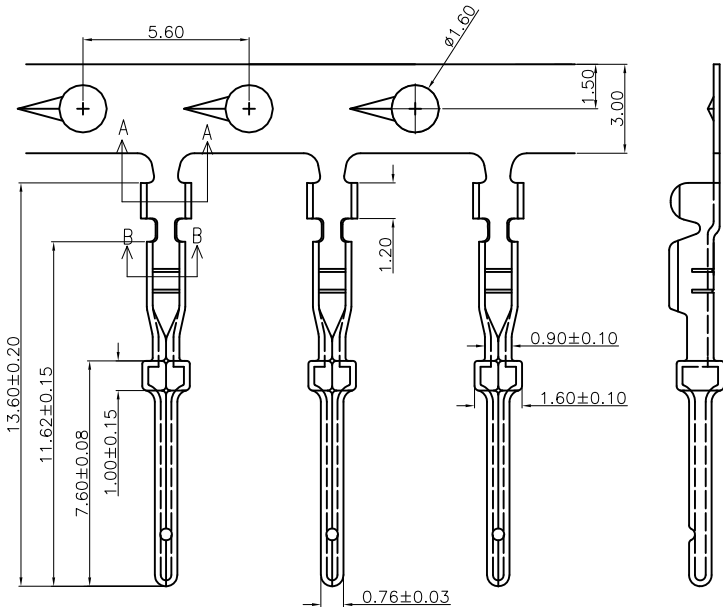
[FCI](#)
[10090932-P2448LF](#)

For any questions, you can email us directly:
sales@integrated-circuit.com

Tous droits strictement réservés. Reproduction ou communication à des tiers
 interdite sous quelque forme que ce soit sans autorisation écrite du propriétaire.
 Property of FCI. Copyright FCI.

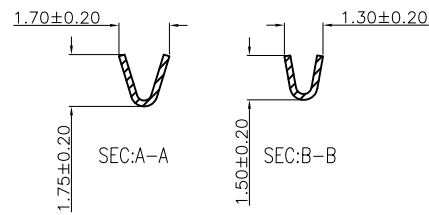


All rights strictly reserved. Reproduction or issue to third parties in any
 form whatsoever is not permitted without written authority from the proprietor.
 Property of FCI. Copyright FCI.



REMARK:
 1. MATERIALS:
 CONTACTS: COPPER ALLOY, GOLD (GVF or 30u") TOP OVER CONTACT AREA,
 50u" Min. NICKEL UNDER PLATE.

2. PART NUMBER DESCRIPTION:
10090932-P XX X X LF
 SERIES NO. [] LFP: ROHS COMPLIANT
 TYPE P: PIN (MALE) PACKAGING
 GAUGE SIZE: 24-28(AWG) 8: BOX, 500 PCS
 9: REEL, 10K PCS
 CONTACT FINISH
 4: GOLD FLASH
 6: 30u" GOLD



SIZE	PART NO.	PACKAGING
24-28AWG	10090932-P24*8LF	BOX, 500PCS
24-28AWG	10090932-P24*9LF	REEL, 10KPCS

mat'l. code				tolerances unless otherwise specified		CUSTOMER COPY	FCI	www.fciconnect.com
ltr	ecn no	dr	date	linear	angles			
A	109-1157	J.H	12/10/09	.X ± 0.38	0° ± 2°	MM	H/D D-SUB CRIMPING MALE CONTACT	
				.XX ± 0.25		scale	product family	D-SUB
				.XXX ± 0.10		1:1	size	code
							dwg no	TWN
							A4	10090932
sheet	revision	A						sheet
index	sheet	01						1 of 1