

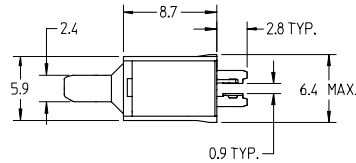
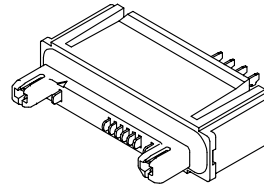
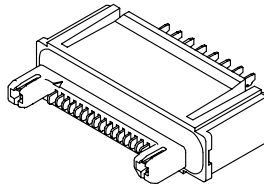
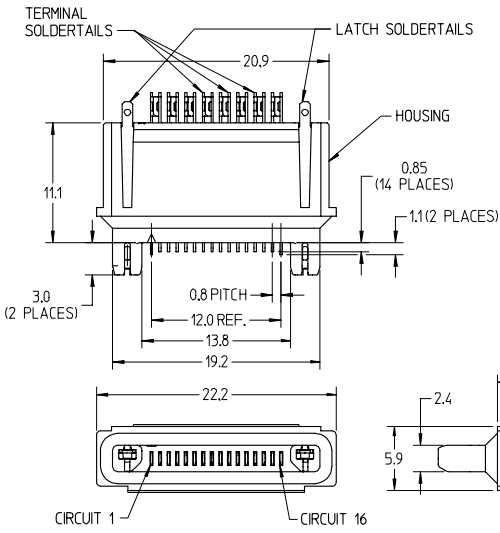
## **Excellent Integrated System Limited**

Stocking Distributor

Click to view price, real time Inventory, Delivery & Lifecycle Information:

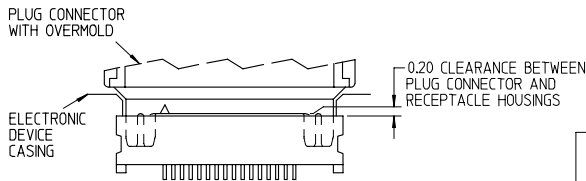
[Molex Connector Corporation](#)  
[0453391601](#)

For any questions, you can email us directly:  
[sales@integrated-circuit.com](mailto:sales@integrated-circuit.com)



**NOTES:**

1. MATERIALS:  
HOUSING - THERMOPLASTIC, UL94V-0, COLOR:BLACK  
TERMINALS - COPPER ALLOY  
LATCHES - STAINLESS STEEL
2. FINISHES: GOLD OVER NICKEL ON CONTACT AREAS,  
TIN OVER NICKEL ON SOLDER AREAS.
3. PRODUCT SPECIFICATION: PS-44828-001  
APPLICATION SPECIFICATION: AS-45339-001
4. PLEASE REFER TO MOLEX APPLICATION SPECIFICATION NO. AS-45339-001 FOR RECOMMENDATIONS FOR OVERMOLDING AFTER CABLE ASSEMBLY.
5. PACKAGED IN VACUUM-FORMED TRAYS (2100 PIECES PER CARTON).



**RECOMMENDATIONS FOR CONFIGURATION OF MATED CONNECTORS**

IMPORTANT: PLEASE REFER TO MOLEX APPLICATION SPECIFICATION AS-44828-001 FOR DETAILED DESIGN LAYOUT AND MATING REQUIREMENTS

5				X	X	X	X										X	453391607
14	X	X	X	X	X	X	X		X	X	X	X	X	X	X	X	X	453391606
15	X	X	X	X	X	X	X	X	X	X	X	X	X	X	X	X	X	453391605
10	X	X	X	X	X	X	X	X	X		X	X					X	453391604
9	X								X	X	X	X	X	X	X	X	X	453391603
8	X									X	X	X	X	X	X	X	X	453391602
2	X																X	453391601
16	X	X	X	X	X	X	X	X	X	X	X	X	X	X	X	X	X	453391600
NO. OF CIRCUITS	1	2	3	4	5	6	7	8	9	10	11	12	13	14	15	16		
	TERMINAL LOCATIONS (PRESENCE DENOTED BY AN X)																MATERIAL NOS	

REVISED PER EC EC NO. IJCP2006-1991 DRAWN:MSIMMEL 2005/12/19 CHKD:MSIMMEL 2005/12/20 APPR:JCOMERCI 2005/12/21	QUALITY SYMBOLS -0 -0	DESCRIPTION	GENERAL TOLERANCES (UNLESS SPECIFIED)		SCALE 3:1	DESIGN UNITS METRIC	THIRD ANGLE PROJECTION	REVISE ON CAD ONLY
			4 PLACES ±--- ±---	3 PLACES ±--- ±---	2 PLACES ±0.10 ±---	1 PLACE ±0.13 ±---	ANGULAR ±1/2°	DIMENSION STYLE MM ONLY
A			DRAFT WHERE APPLICABLE MUST REMAIN WITHIN DIMENSIONS		APPROVED BY COMERCI	DATE 20051213	MATERIAL NO. SEE CHART	DOCUMENT NO. SD-45339-001
THIS DRAWING CONTAINS INFORMATION THAT IS PROPRIETARY TO MOLEX INCORPORATED AND SHOULD NOT BE USED WITHOUT WRITTEN PERMISSION								SHEET NO. 1 OF 26