

Excellent Integrated System Limited

Stocking Distributor

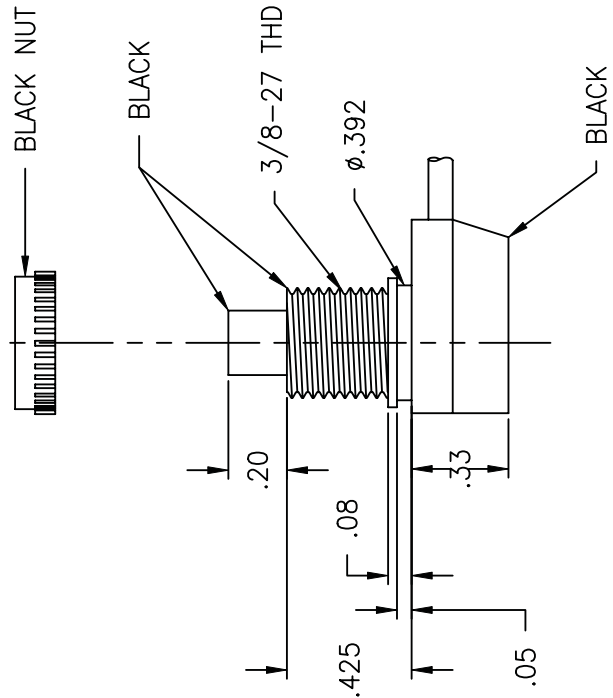
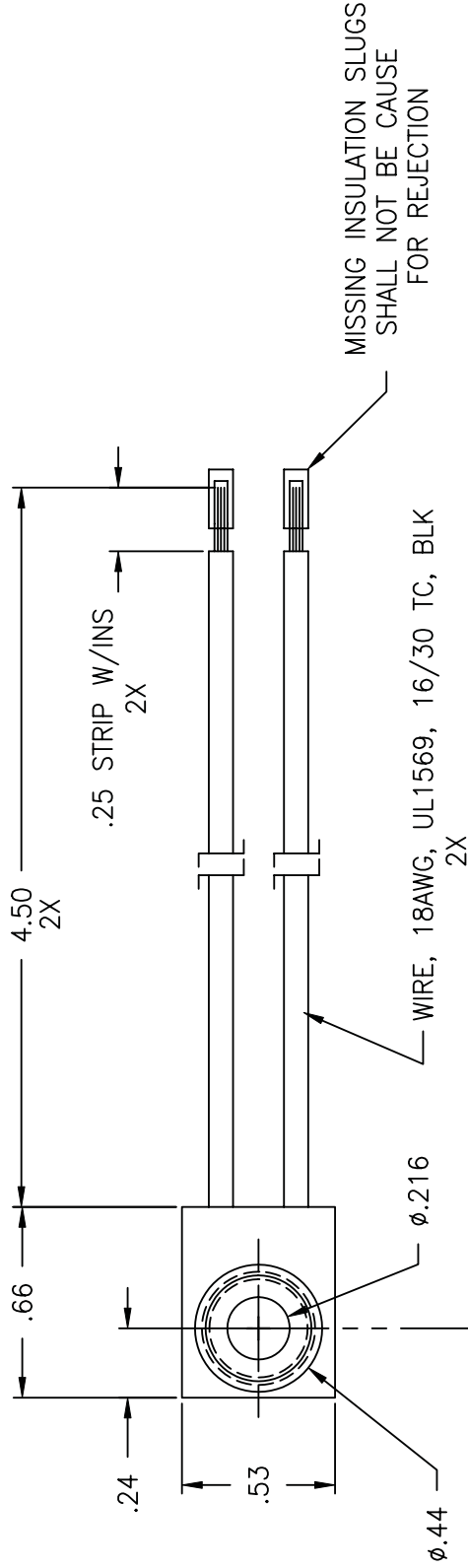
Click to view price, real time Inventory, Delivery & Lifecycle Information:

[Judco Manufacturing, Inc.](#)
[40-4816-00](#)

For any questions, you can email us directly:

sales@integrated-circuit.com

LTR	EN	DESCRIPTION	APPR	BY	DATE
A	-	INITIAL RELEASE	MT	DC	02-23-10



JUDCO INVENTORY NO. 40-4816-00
 SWITCH TYPE: PUSH ON - PUSH OFF, SPST
 GOLD OVER NICKEL PLATING ON COPPER
 TERMINALS AND CUPS.
 NUT INCLUDED

CUSTOMER:
 CUSTOMER P/N:
 APPROVED BY: _____
 DATE: _____

DIMENSIONS IN INCHES DIMENSIONS ARE REFERENCE	DRAWN: DC	02-23-10
	APPR: KJ	02-23-10
	ENG: IS	02-23-10
1415U1547A.DWG		SHEET
		TITLE J-188A-1 NON U/L DWG. NO. 1415-1547 1 OF 1

This document embodies a product, component, and/or design proprietary to JUDCO MANUFACTURING INC., and which is protected either as a trade secret, by U.S. Patent, or by copyright. It may not be used in any way without written express consent of JUDCO MANUFACTURING INC.