

Excellent Integrated System Limited

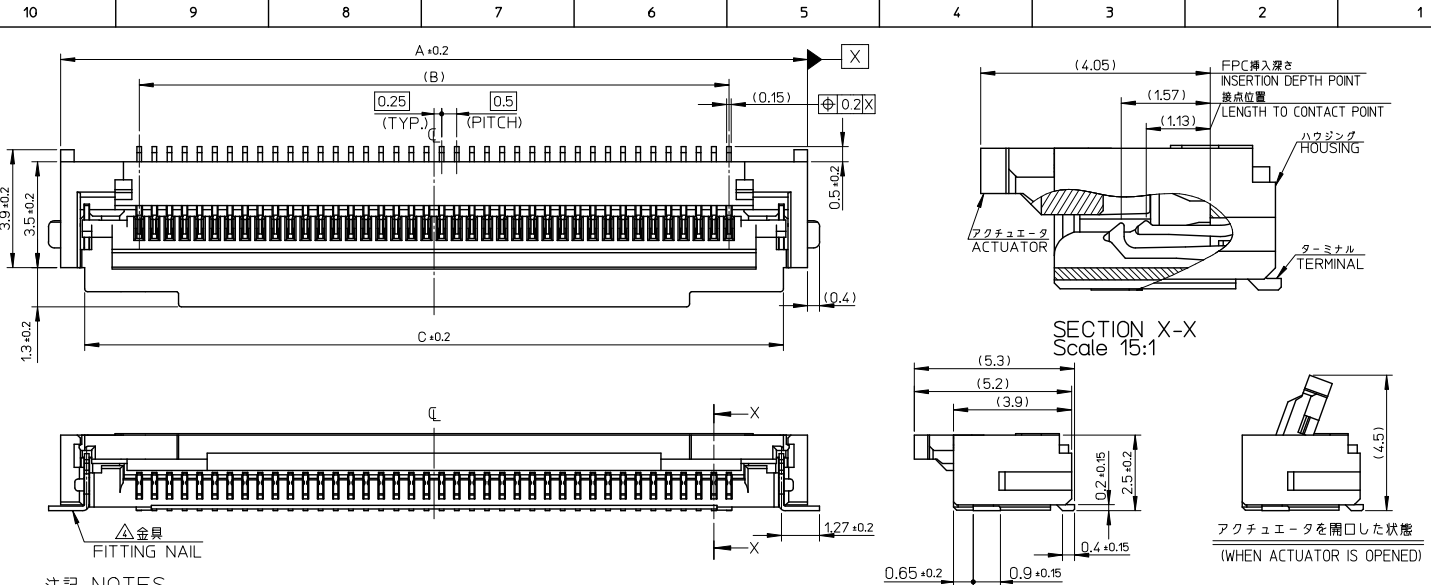
Stocking Distributor

Click to view price, real time Inventory, Delivery & Lifecycle Information:

[Molex Connector Corporation](#)
[5027908091](#)

For any questions, you can email us directly:

sales@integrated-circuit.com



SECTION X-X
Scale 15:1

アクチュエータを開いた状態
(WHEN ACTUATOR IS OPENED)

注記 NOTES

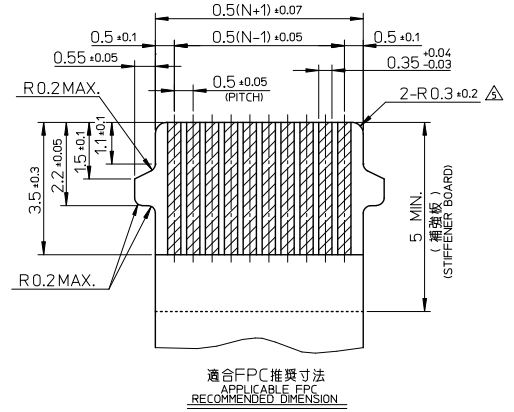
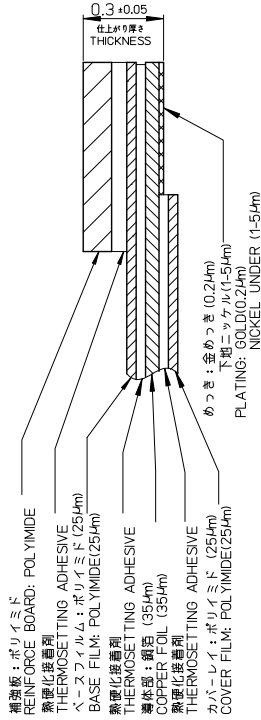
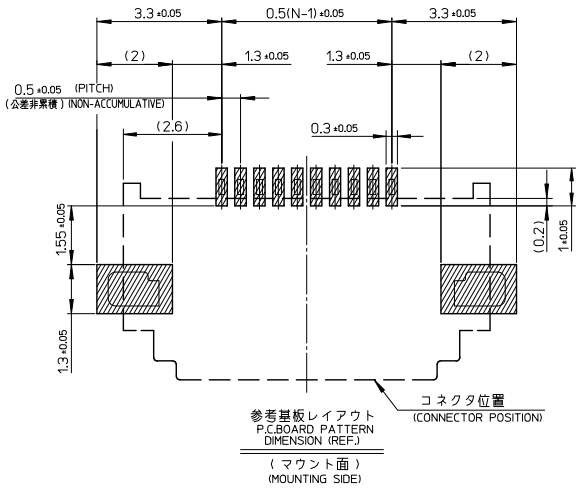
1. 使用材料 MATERIAL
 ハウジング : 液晶ポリマー ガラス充填, UL94-V0(ベージュ)
 HOUSING : LIQUID CRYSTAL POLYMER
 GLASS FILLED, UL94-V0(BEIGE)
 アクチュエータ : PPS ガラス充填, UL94-V0(黒)
 ACTUATOR : PPS GLASS FILLED, UL94-V0(BLACK)
 ターミナル : リン青銅(t=0.15)
 TERMINAL : PHOSPHOR BRONZE
 金具 : リン青銅(t=0.15)
 FITTING NAIL : PHOSPHOR BRONZE
2. めっき仕様 PLATING
 ターミナル TERMINAL
 コンタクト部: 部分金めっき (0.05 μm以上)
 テール部: 部分金めっき
 下地: ニッケルめっき (1.0 μm以上)
 CONTACT AREA: SEPARATED GOLD PLATING
 (0.05 MICROMETER MINIMUM)
 SOLDER TAIL AREA: SEPARATED GOLD PLATING
 UNDERPLATE: NICKEL OVERALL
 (1.0 MICROMETER MINIMUM)
 金具 FITTING NAIL
 めっき (1.0 μm以上)
 下地: ニッケルめっき (1.0 μm以上)
 TIN PLATING (1.0 MICROMETER MIN.)
 UNDER PLATING: NICKEL PLATING
 (1.0 MICROMETER MIN.)
3. エンボスタープ梱包時は、アクチュエータが閉じた状態とする。
 IN THE PACKAGE, ACTUATOR OF
 PART 502790-***11 SHOULD BE CLOSED.

4. パターン剥離止め用金具
 FITTING NAIL FOR PREVENTION OF
 PEELING OF P.C.B. PATTERN.
5. R0.3は、FPC本体部にかからないこと。
 R0.3 MUST NOT BE OVERLAPPED
 TO PATTERN OF FPC.
6. N: 極数 N: CIRCUIT.
7. ELV及びRoHS適合品
 ELV AND RoHS COMPLIANT
8. テールと金具を併せた平均厚は0.1mm以下とする。
 TAILS AND NAILS COPLANARITY
 TO BE 0.1mm MAX.

43.1	39.5	44.7	502790-8091	80
35.1	31.5	36.7	502790-6491	64
33.1	29.5	34.7	502790-6091	60
28.1	24.5	29.7	502790-5091	50
23.1	19.5	24.7	502790-4091	40
18.1	14.5	19.7	502790-3091	30
C	B	A	EMBOSSED PACKAGE	CIRCUIT
			オーダー番号 ORDER No.	

REVISED EC NO. J2009-2576 DRAWN/TAKASAKI 2009/05/28 CHKD/HAYASHI 2009/05/28 APPR./MUKITA 2009/05/28	GENERAL TOLERANCES (UNLESS SPECIFIED)		DIMENSION STYLE MM ONLY		SCALE ---	DESIGN UNITS METRIC	THIRD ANGLE PROJECTION
	10 UNDER	± ---	DRAWN BY YTAKAYASU	DATE 2007/08/10	TITLE 0.5 FPC CONN. ZIF E/O 2 CONTACTS TYPE HSG ASS'Y (H=2.5)		
	10 OVER 30 UNDER	± ---	CHECKED BY KTAKAHASHI	DATE 2007/08/10	MOLEX INCORPORATED		
	30 OVER	± ---	APPROVED BY HIRATA	DATE 2007/08/10	MATERIAL NO. 502790-***11		
ANGULAR ± --- °		DRAFT WHERE APPLICABLE MUST REMAIN WITHIN DIMENSIONS		DOCUMENT NO. SD-502790-001		SHEET NO. 1 OF 2	
THIS DRAWING CONTAINS INFORMATION THAT IS PROPRIETARY TO MOLEX INCORPORATED AND SHOULD NOT BE USED WITHOUT WRITTEN PERMISSION							

10 9 8 7 6 5 4 3 2 1



FPC について:

打ち抜き方向は導体側から補強板側を推奨します。
 導体部については軟銅箔35μmまたは50μmを推奨します。
 補強フィルム材質はポリイミドを推奨します。ベースフィルムは25μmを推奨します。
 接着剤は熱硬化接着剤を推奨します。
 尚、接着剤の接点部への付着は導通不良の原因になりますので、染み出しが無い様お願い致します。

ABOUT FPC

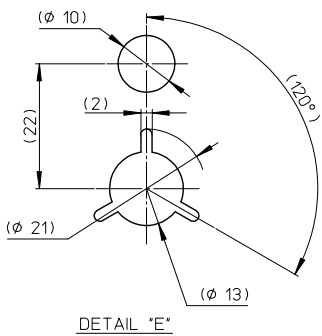
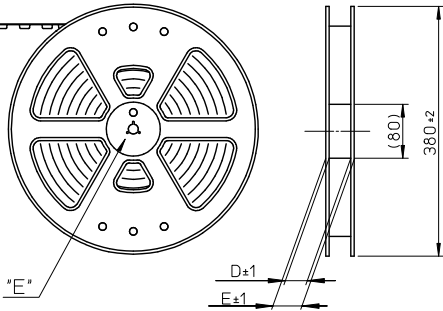
RECOMMENDED PUNCHER DIRECTION : FROM CONDUCTOR SIDE TO STIFFENER FILM SIDE.
 RECOMMENDED CONDUCTOR SPEC :
 THICKNESS OF SOFT COPPER FOIL : 35 MICROMETER OR 50 MICROMETER.
 RECOMMENDED MATERIAL/THICKNESS.
 STIFFENER FILM : POLYIMIDE
 BASE FILM THICKNESS : 25μm
 BONDING AGENT : THERMOSETTING BONDING AGENT
 PLEASE PUT APPROPRIATE AMOUNT OF ADHESIVE ON ADHEREND BECAUSE THERE IS A POSSIBILITY THAT THE EXTRA ADHESIVE CAUSES THE DEFECT IN ELECTRICAL CONTINUITY.

FPC構成推奨仕様
STRUCTURE OF FPC

SEE SHEET 1 OF 2 EC NO. J2009-2576 DRAWN BY: AKASAKI 2009/05/28 CHKD BY: HAYASHI 2009/05/28 APPROV. BY: KITAHARA 2009/05/28	GENERAL TOLERANCES (UNLESS SPECIFIED)		DIMENSION STYLE	SCALE	DESIGN UNITS	THIRD ANGLE PROJECTION	
			MM ONLY	---	METRIC		
	DESCRIPTION	TOLERANCE	DATE	TITLE			
	10 UNDER	±---	YAKAYASU 2007/08/10	0.5 FPC CONN. ZIF E/O			
10 OVER 30 UNDER	±---	KTAKAHASHI 2007/08/10	2 CONTACTS TYPE				
30 OVER	±---	HIRATA 2007/08/10	HSG ASS'Y (H=2.5)				
ANGULAR	±---		MOLEX INCORPORATED				
DRAFT WHERE APPLICABLE MUST REMAIN WITHIN DIMENSIONS			MATERIAL NO.	DOCUMENT NO.	SHEET NO.		
			502790-**-11	SD-502790-001	2 OF 2		
			THIS DRAWING CONTAINS INFORMATION THAT IS PROPRIETARY TO MOLEX INCORPORATED AND SHOULD NOT BE USED WITHOUT WRITTEN PERMISSION				

10 9 8 7 6 5 4 3 2 1

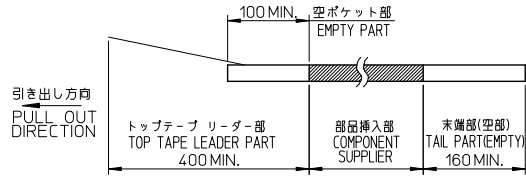
引き出し方向
PULL OUT DIRECTION



NOTES

1. 梱包数量 : 2000個/リール
NUMBER OF CONNECTORS : 2000PIECES/REEL

2. リードテープ長さ
LEAD TAPE LENGTH



3. 製品詳細寸法については図面 SD-502790-001を参照下さい。
FOR DIMENSIONS OF PRODUCT, REFER TO SD-502790-001.

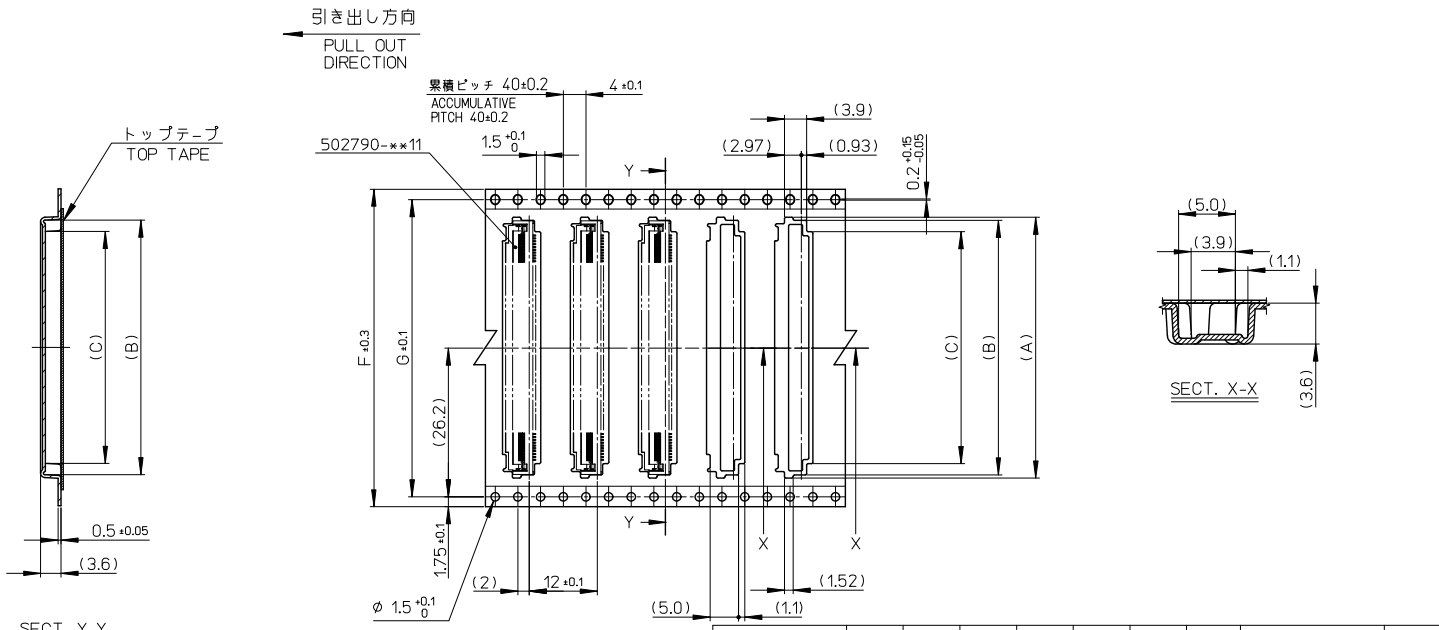
4. 材料 MATERIAL

キャリアテープ : ポリスチレン
CARRIER TAPE : POLYSTYRENE
トップテープ : ポリエチレンテレフタレート, ポリエチレン
TOP TAPE : POLYETHYLENE TEREPHTHALATE, POLYETHYLENE
リール : ポリスチレン<リサイクル材を含む>
REEL : POLYSTYRENE<RECYCLE MATERIAL CONTAINED>

5. ELV及びRoHS適合品 ELV AND RoHS COMPLIANT

REVISED EC NO: J2009-2322 DRAWN BY: YAKASAKI 2009/04/20 CHKD BY: HAYASHI 2009/04/20 APPR: NIKITA 2009/04/21	GENERAL TOLERANCES (UNLESS SPECIFIED)		DIMENSION STYLE MM ONLY		SCALE ---	DESIGN UNITS METRIC	THIRD ANGLE PROJECTION
	10 UNDER	± ---	DRAWN BY YAKAYASU	DATE 2007/11/05	TITLE 0.5 FPC CONN ZIF E/0 2 CONTACTS TYPE EMBSTP PACKAGE (H=2.5) MOLEX INCORPORATED		
	10 OVER 30 UNDER	± ---	CHECKED BY KTAKAHASHI	DATE 2007/11/05			
	30 OVER	± ---	APPROVED BY HIRATA	DATE 2007/11/05			
	ANGULAR	± --- °	MATERIAL NO. 502790-**91		DOCUMENT NO. SD-502790-002	SHEET NO. 1 OF 2	
DRAFT WHERE APPLICABLE MUST REMAIN WITHIN DIMENSIONS		THIS DRAWING CONTAINS INFORMATION THAT IS PROPRIETARY TO MOLEX INCORPORATED AND SHOULD NOT BE USED WITHOUT WRITTEN PERMISSION					

10 9 8 7 6 5 4 3 2 1



56	52.4	56	61.4	57.4	40.9	44.9	46	502790-8091	80
	52.4	56	61.4	57.4	32.9	36.9	38	502790-6491	64
44	40.4	44	49.4	45.4	25.9	29.9	31	502790-5091	50
	40.4	44	49.4	45.4	20.9	24.9	26	502790-4091	40
32	28.4	32	37.4	33.4	15.9	19.9	21	502790-3091	30
キャリアテープ幅 CARRIER TAPE WIDTH	G	F	E	D	C	B	A	製品番号 MATERIAL NO.	極数 CIRCUIT

SEE SHEET 1 OF 2 EC NO. J2009-2322 DRAWN BY: Y. TAKASAKI 2009/04/20 CHECKED BY: CHIKO HAYASHI 2009/04/20 APPROVED BY: APPR. NUKITA 2009/04/21	GENERAL TOLERANCES (UNLESS SPECIFIED)		DIMENSION STYLE MM ONLY		SCALE --	DESIGN UNITS METRIC	THIRD ANGLE PROJECTION	
	10 UNDER	± ---	DRAWN BY Y. TAKAYASU	DATE 2007/11/05	TITLE 0.5 FPC CONN ZIF E/0 2 CONTACTS TYPE EMBSTP PACKAGE (H=2.5)			
	10 OVER 30 UNDER	± ---	CHECKED BY K. TAKAHASHI	DATE 2007/11/05	MOLEX INCORPORATED			
	30 OVER	± ---	APPROVED BY H. HIRATA	DATE 2007/11/05	MATERIAL NO. 502790-***91 DOCUMENT NO. SD-502790-002			
ANGULAR ± --- °		DRAFT WHERE APPLICABLE MUST REMAIN WITHIN DIMENSIONS		SIZE A3		THIS DRAWING CONTAINS INFORMATION THAT IS PROPRIETARY TO MOLEX INCORPORATED AND SHOULD NOT BE USED WITHOUT WRITTEN PERMISSION		SHEET NO. 2 OF 2