

## Excellent Integrated System Limited

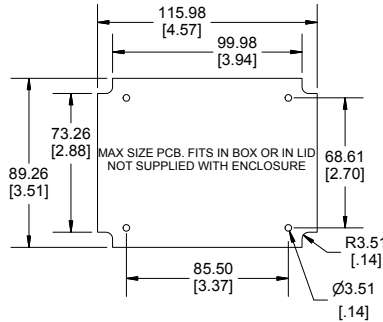
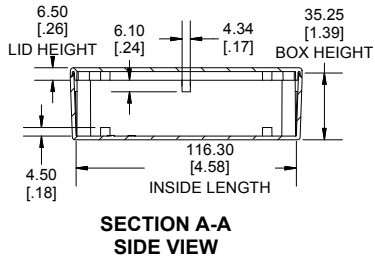
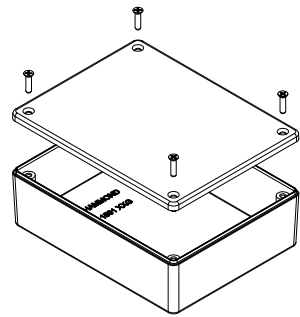
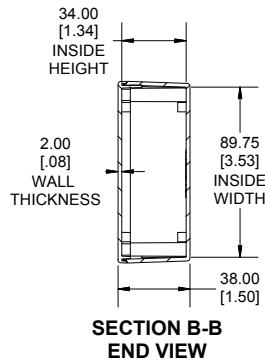
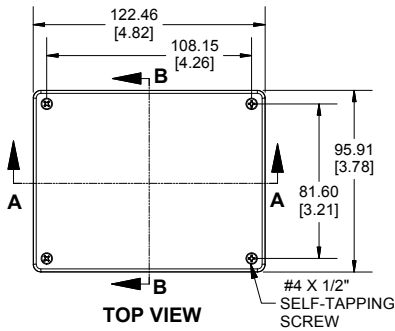
Stocking Distributor

Click to view price, real time Inventory, Delivery & Lifecycle Information:

[Hammond Manufacturing](#)  
[1591XXGSBK](#)

For any questions, you can email us directly:

[sales@integrated-circuit.com](mailto:sales@integrated-circuit.com)



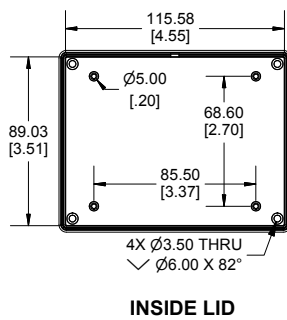
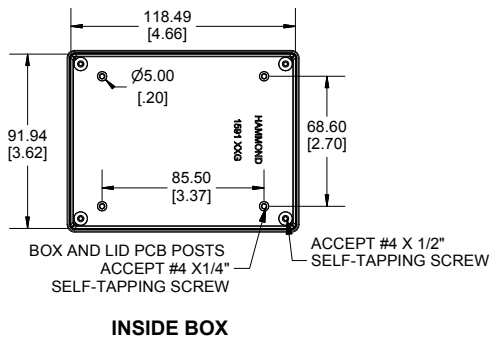
Enclosures can be Factory Modified ( Milling, Drilling, Printing etc.)  
Contact Factory [mjm@hammondmfg.com](mailto:mjm@hammondmfg.com) for quotes  
Solid models of this enclosure available in STEP or IGES.  
(Part number and text placement/orientation on our products are subject to change, we do not recommend using them as a locating reference for modification purposes)

**NOTE**

Purchased assembly includes box, lid and  
Enclosure molded from GPABS Plastic.  
Other materials / colours available consult factory.  
**Recommended Torque : (35-43) Oz.in / (25-30) cNm**

**PART NUMBERS**

1591XXGS Enclosure	
Black Textured Enclosure	1591XXGSBK
ACCESSORIES	
Black Cover Screws #4 X 1/2" SelfTapping	1591TS100BK (Pkg 100)
Plated Cover Screws #4 X 1/2" SelfTapping	1591TS100 (Pkg 100)
P.C. Board Screws (#4 x 1/4" selfTapping (6.4mm))	1593ATS50 (Pkg 50) 1593ATS100 (Pkg 100)



Dimensions:  
mm  
[inches]



**HAMMOND  
MANUFACTURING.**  
**1591XXGS**  
[www.hammondmfg.com](http://www.hammondmfg.com)