

Excellent Integrated System Limited

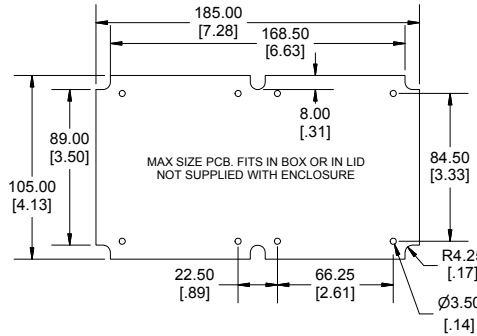
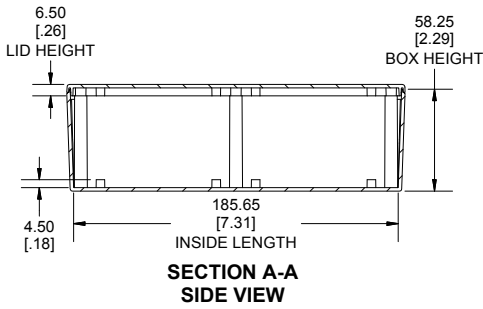
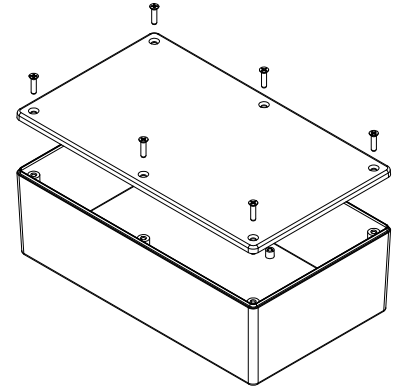
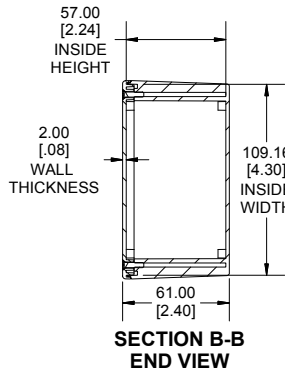
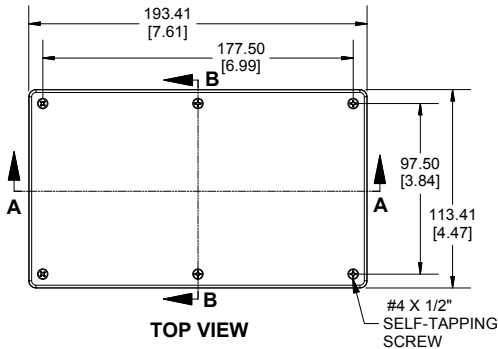
Stocking Distributor

Click to view price, real time Inventory, Delivery & Lifecycle Information:

[Hammond Manufacturing](#)
[1591XXESBK](#)

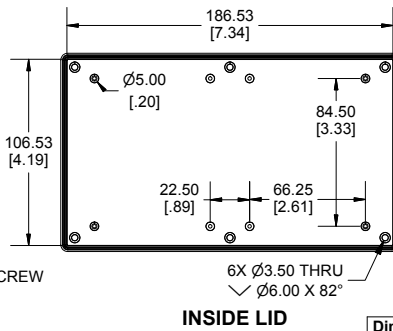
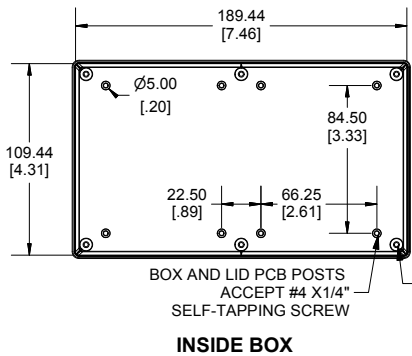
For any questions, you can email us directly:

sales@integrated-circuit.com



Enclosures can be Factory Modified (Milling, Drilling, Printing etc.)
Contact Factory mjm@hammondmfg.com for quotes
Solid models of this enclosure available in STEP or IGES.
(Part number and text placement/orientation on our products are subject to change, we do not recommend using them as a locating reference for modification purposes).

NOTE	
Purchased assembly includes box, lid and Enclosure molded from GPABS Plastic.	
Other materials / colours available consult factory.	
Recommended Torque : (35-43) Ozf.in / (25-30) cNm	



PART NUMBERS	
1591XXES Enclosure	
Black Textured Enclosure	1591XXESBK
ACCESSORIES	
Black Cover Screws #4 X 1/2" SelfTapping	1591TS100BK (Pkg 100)
Plated Cover Screws #4 X 1/2" SelfTapping	1591TS100 (Pkg 100)
P.C. Board Screws	1593ATS50 (Pkg 50)
#4 x 1/4" selfTapping (6.4mm)	1593ATS100 (Pkg 100)

HAMMOND MANUFACTURING.
1591XXES
www.hammondmfg.com

Dimensions:
mm
[inches]