

Excellent Integrated System Limited

Stocking Distributor

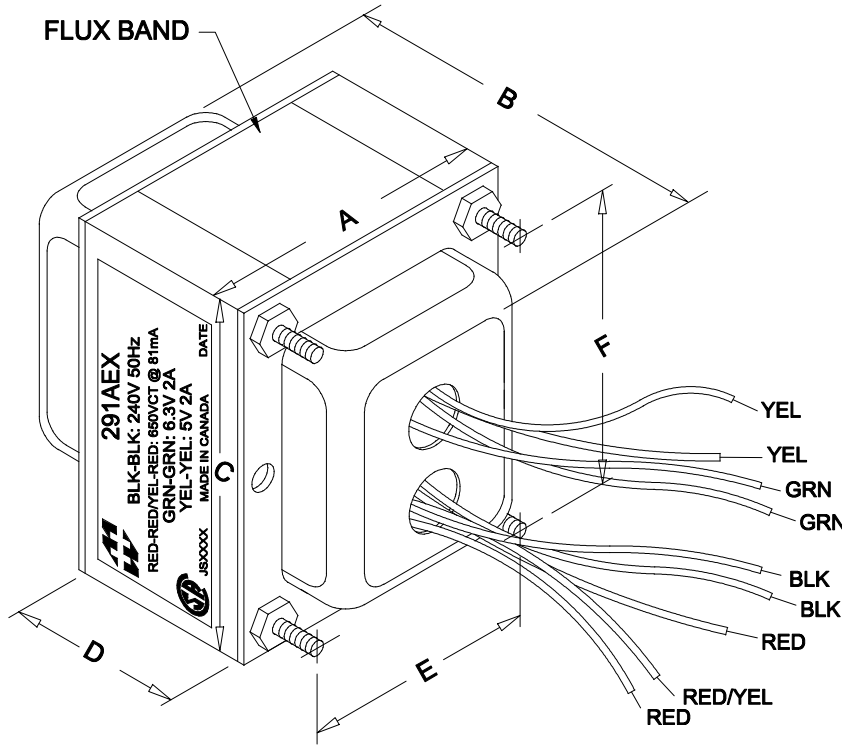
Click to view price, real time Inventory, Delivery & Lifecycle Information:

[Hammond Manufacturing](#)
[291AEX](#)

For any questions, you can email us directly:

sales@integrated-circuit.com

291AEX



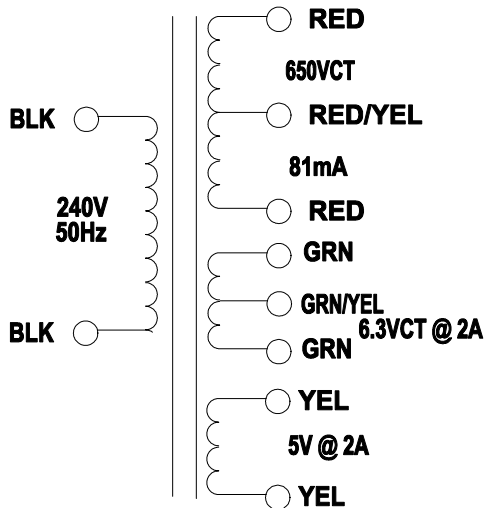
DIMENSIONS:

A	2.500" ±0.063
B	2.817" ±0.063
C	3.000" ±0.063
D	1.25" ±0.063
E	2.000" ±0.063
F	2.500" ±0.063

NOTE: ALL LEADS 9" OUT MIN., STRIPPED .5"

PRIMARY

SECONDARY



ELECTRICAL DATA:

Turns ratio:	1 : 5.82 (RED - RED)
Exciting Current	@ 240V, 50Hz, BLK - BLK = 230mA Max.
DCR	@ 20C, BLK - BLK = 19.647 Ω ±20%
	@ 20C, RED - RED = 334.1 Ω ±20%
	@ 20C, GRN - GRN = 0.107 Ω ±20%
	@ 20C, YEL - YEL = 0.088 Ω ±20%
Pri. Voltage	240V 50Hz
Sec. Voltage (RMS)	650VCT @ 81mA, 6.3V @ 2A / 5V @ 2A
No Load Voltage	698.6VCT / 6.76VCT / 5.35V



**HAMMOND
ELECTRONICS**

52 RANKIN PLACE,
WATERLOO, ONTARIO, N2L 3Z5.
PHONE (519) 886-6181
FAX # (519) 886-9540

TITLE

POWER TRANSFORMER

2	04/25/14	Added 6.3V center tap	DH	DR BY B.Pervaiz
1	09/28/12	Correct Dim Table	DH	DATE 08/25/09
NO	DATE	REVISION		DIM IN(X)MM()

291AEX