

Excellent Integrated System Limited

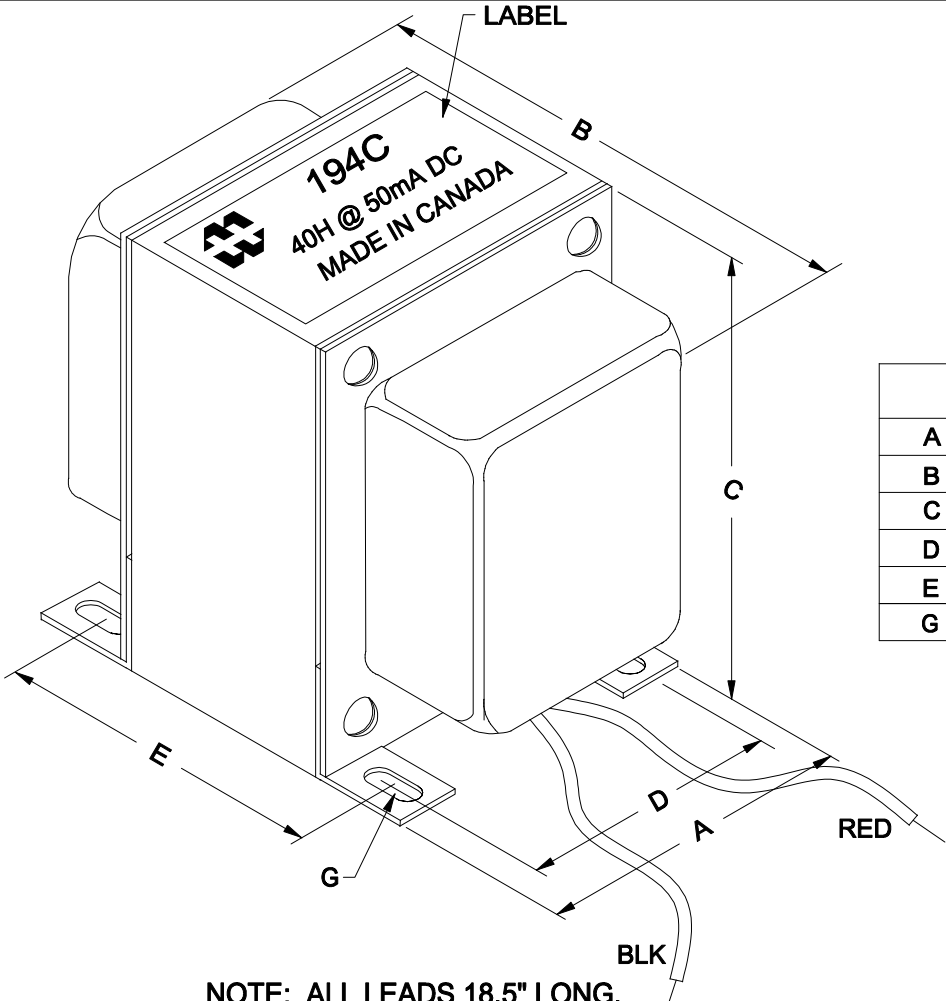
Stocking Distributor

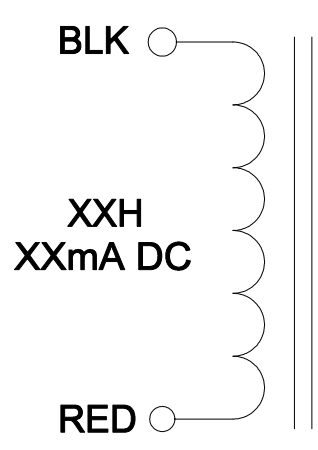
Click to view price, real time Inventory, Delivery & Lifecycle Information:


[Hammond Manufacturing](#)
[194C](#)

For any questions, you can email us directly:

sales@integrated-circuit.com

 <p style="text-align: center;">NOTE: ALL LEADS 18.5" LONG.</p>	<div style="border: 1px solid black; padding: 5px; width: fit-content; margin: 0 auto;">194C</div> <table border="1" style="margin-top: 20px; width: 100%; border-collapse: collapse;"> <thead> <tr> <th colspan="2" style="text-align: center;">DIMENSIONS:</th> </tr> </thead> <tbody> <tr> <td style="text-align: center;">A</td> <td style="text-align: center;">2.500" ±0.063</td> </tr> <tr> <td style="text-align: center;">B</td> <td style="text-align: center;">2.781" ±0.125</td> </tr> <tr> <td style="text-align: center;">C</td> <td style="text-align: center;">3.000" ±0.063</td> </tr> <tr> <td style="text-align: center;">D</td> <td style="text-align: center;">1.875" ±0.063</td> </tr> <tr> <td style="text-align: center;">E</td> <td style="text-align: center;">1.845" ±0.063</td> </tr> <tr> <td style="text-align: center;">G</td> <td style="text-align: center;">0.187" x 0.375" ±0.015</td> </tr> </tbody> </table>	DIMENSIONS:		A	2.500" ±0.063	B	2.781" ±0.125	C	3.000" ±0.063	D	1.875" ±0.063	E	1.845" ±0.063	G	0.187" x 0.375" ±0.015
DIMENSIONS:															
A	2.500" ±0.063														
B	2.781" ±0.125														
C	3.000" ±0.063														
D	1.875" ±0.063														
E	1.845" ±0.063														
G	0.187" x 0.375" ±0.015														

 <p style="text-align: center;">XXH XXmA DC</p>	<table border="1" style="width: 100%; border-collapse: collapse;"> <thead> <tr> <th colspan="2" style="text-align: center;">ELECTRICAL DATA:</th> </tr> </thead> <tbody> <tr> <td style="text-align: center;">DCR</td> <td style="text-align: center;">@ 20C, BLK - RED = 420.2 Ω ±15%</td> </tr> <tr> <td style="text-align: center;">Pri. Inductance</td> <td style="text-align: center;">40H @ 50mA DC</td> </tr> <tr><td> </td><td> </td></tr> <tr><td> </td><td> </td></tr> <tr><td> </td><td> </td></tr> <tr><td> </td><td> </td></tr> <tr><td> </td><td> </td></tr> <tr><td> </td><td> </td></tr> <tr><td> </td><td> </td></tr> <tr><td> </td><td> </td></tr> <tr><td> </td><td> </td></tr> <tr><td> </td><td> </td></tr> <tr><td> </td><td> </td></tr> <tr><td> </td><td> </td></tr> <tr><td> </td><td> </td></tr> </tbody> </table>	ELECTRICAL DATA:		DCR	@ 20C, BLK - RED = 420.2 Ω ±15%	Pri. Inductance	40H @ 50mA DC																										
ELECTRICAL DATA:																																	
DCR	@ 20C, BLK - RED = 420.2 Ω ±15%																																
Pri. Inductance	40H @ 50mA DC																																

 <p>HAMMOND ELECTRONICS</p> <p>52 RANKIN PLACE, WATERLOO, ONTARIO, N2L 3Z5. PHONE (519) 886-6181 FAX # (519) 886-9540</p>	TITLE			194C	
	CHOKE OR REACTOR TRANSFORMER				
					DR BY IOAN POP
	0	05/12/09	PRELIMINARY.		I.P. DATE 05/12/09
NO	DATE	REVISION	DIM IN(X)MM()		