

Excellent Integrated System Limited

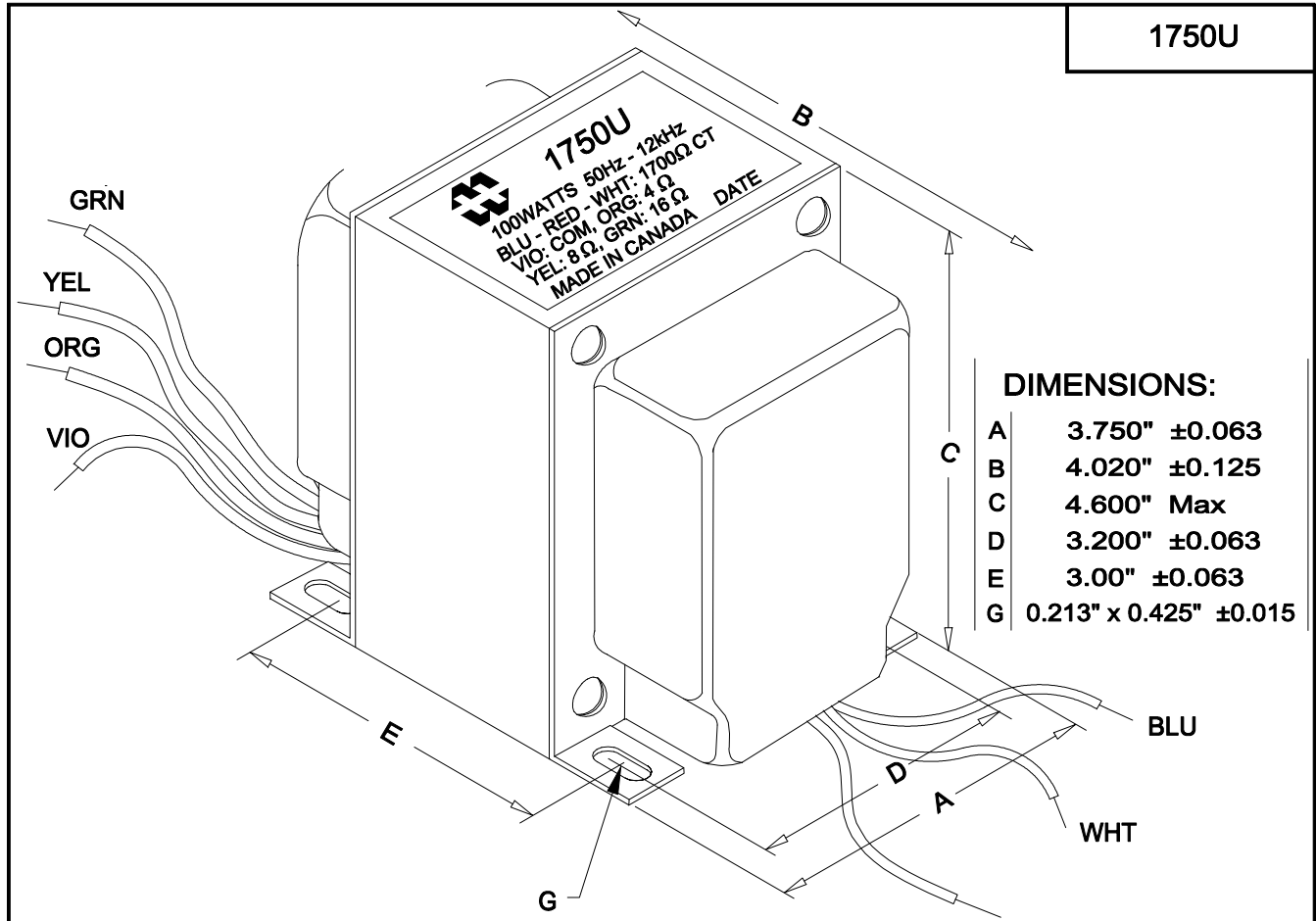
Stocking Distributor

Click to view price, real time Inventory, Delivery & Lifecycle Information:

[Hammond Manufacturing](#)
[1750U](#)

For any questions, you can email us directly:

sales@integrated-circuit.com

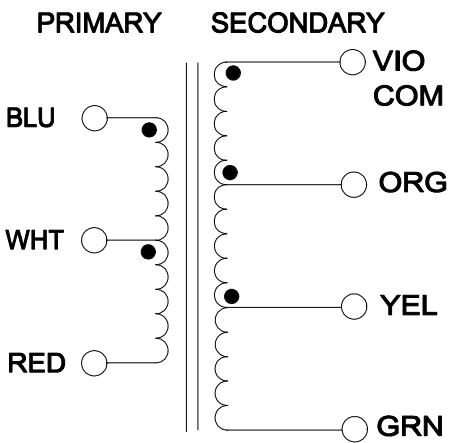


1750U

DIMENSIONS:

A	3.750" ±0.063
B	4.020" ±0.125
C	4.600" Max
D	3.200" ±0.063
E	3.00" ±0.063
G	0.213" x 0.425" ±0.015

NOTE: ALL LEADS 11" OUT MIN., STRIPPED .5"



ELECTRICAL DATA:

Turns ratio:	10.40 : 1
Inductance	@240V,50Hz =>76.39H (Open circuit)
DCR	@ 20C, BLU - WHT =15.36 Ω ±20%
	@ 20C, WHT - RED =16.56 Ω ±20%
	@ 20C, VIO -ORG =0.10 Ω ±20%
	@ 20C, ORG - YEL =0.10 Ω ±20%
	@ 20C, YEL -GRN =0.12 Ω ±20%
	FREQ. RESP
Pri. Impedance	1700 Ω (Plate - Plate) (412.3V)
Sec. Impedance	4 Ω (20V5A)/ 8 Ω (28.3V 3.5A) / 16 Ω (40V 2.5A)
Power	100 WATTS

HAMMOND ELECTRONICS
52 RANKIN PLACE,
WATERLOO, ONTARIO, N2L 3Z5.
PHONE (519) 886-6181
FAX # (519) 886-9540

TITLE
CHOKE OR REACTOR TRANSFORMER

0	05/11/09	PRELIMINARY.	I.P.	DR BY IOAN POP
				DATE 05/11/09
NO	DATE	REVISION		DIM IN(X)MM()

1750U