

Excellent Integrated System Limited

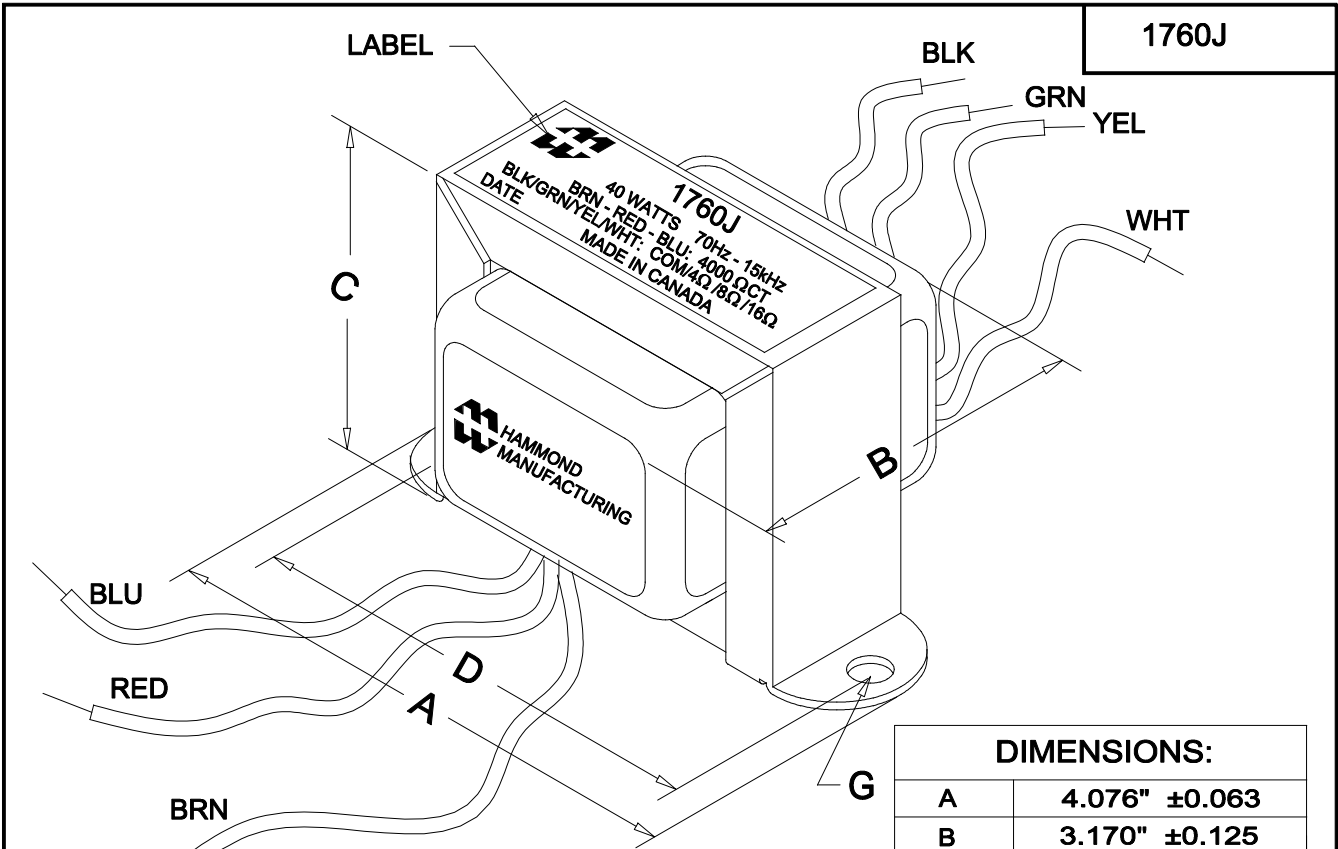
Stocking Distributor

Click to view price, real time Inventory, Delivery & Lifecycle Information:

[Hammond Manufacturing](#)
[1760J](#)

For any questions, you can email us directly:

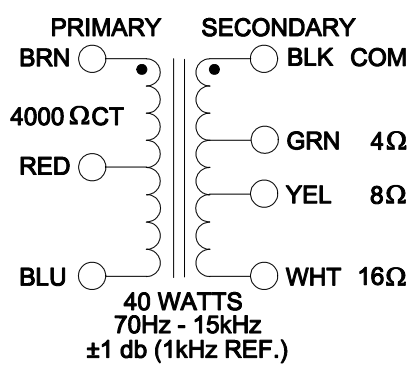
sales@integrated-circuit.com



1760J

| DIMENSIONS: | |
|-------------|-----------------------|
| A | 4.076" ±0.063 |
| B | 3.170" ±0.125 |
| C | 3.450" ±0.063 |
| D | 3.500" ±0.063 |
| E | 2.580" ±0.063 |
| F | 3.125" ±0.063 |
| G | 0.187"X 0.300" ±0.015 |

NOTE: ALL LEADS 9" LONG MIN.



| ELECTRICAL DATA: | |
|------------------|---|
| Turns ratio: | 31.11 : 1 |
| Inductance | @240V,60Hz =>90.95H (Open circuit) |
| DCR | @ 20C, BRN - BLU =185.0 Ω ±20% |
| | @ 20C, BLK - GRN =0.40 Ω ±20% |
| FREQ. RESP | @ 40W(374.1V), 70Hz - 15kHz, BRN - BLU±1db(1kHz REF.) |
| Pri. Impedance | 4000 Ω CT (374.1V) |
| Sec. Impedance | 4/8/16 Ω (11.83/16.3/23.66V) |
| Power | 40 WATTS |

HAMMOND ELECTRONICS
52 RANKIN PLACE,
WATERLOO, ONTARIO, N2L 3Z5.
PHONE (519) 886-6181
FAX # (519) 886-9540

| | | | |
|-------|------|----------|----------------|
| TITLE | | 1760J | |
| | | DR BY | B.Pervaiz |
| | | DATE | 08/25/09 |
| NO | DATE | REVISION | DIM IN(X)MM() |

1760J