

Excellent Integrated System Limited

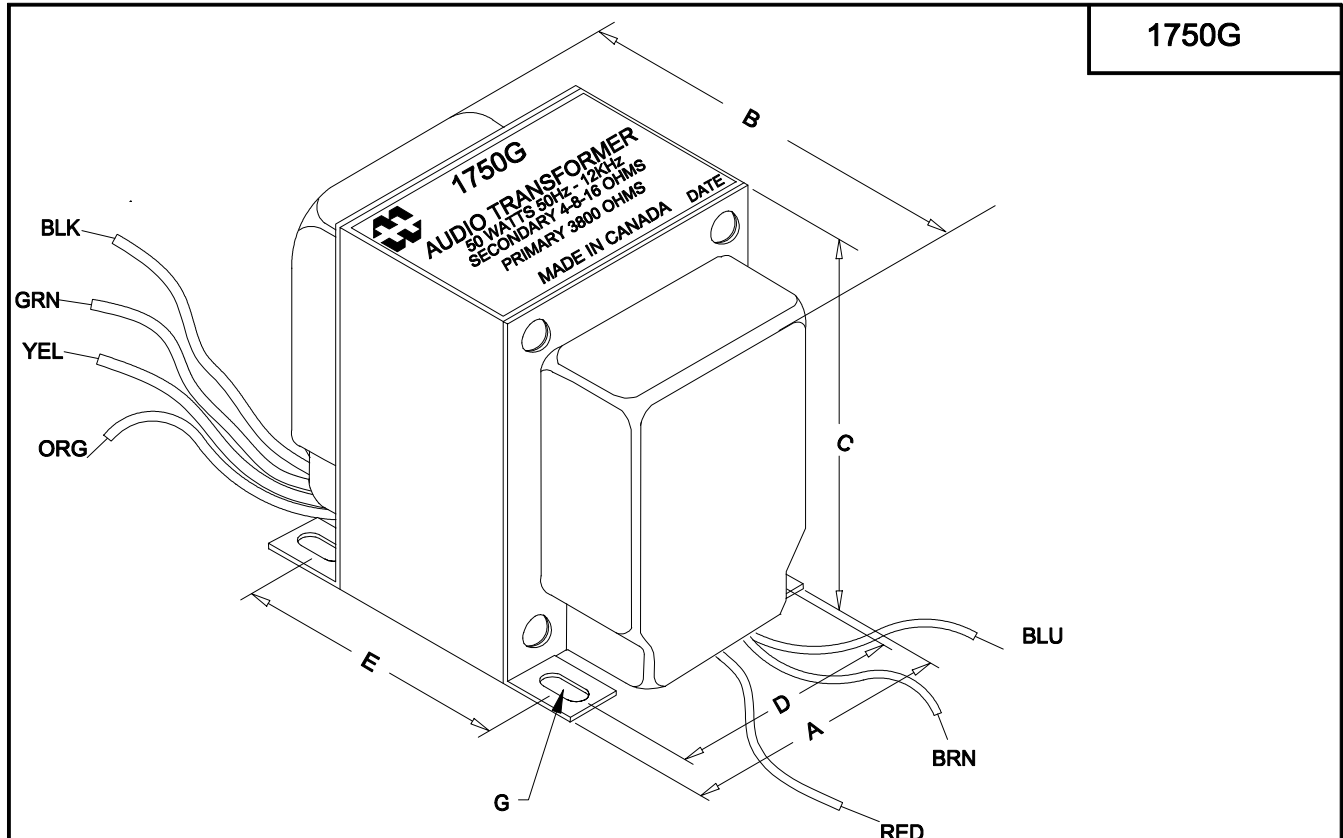
Stocking Distributor

Click to view price, real time Inventory, Delivery & Lifecycle Information:

[Hammond Manufacturing](#)
[1750G](#)

For any questions, you can email us directly:

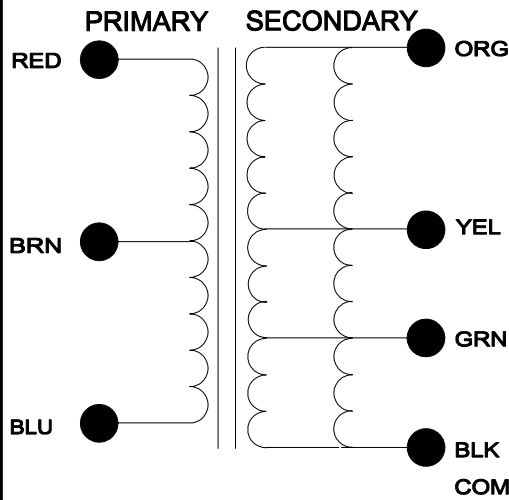
sales@integrated-circuit.com



1750G

NOTE: ALL LEADS 9" OUT MIN., STRIPPED .5"

DIMENSIONS:	
A	3.320" ±0.063
B	3.750" ±0.063
C	3.810" ±0.063
D	2.500" ±0.063
E	2.440" ±0.063
G	0.250"X 0.375" ±0.015



ELECTRICAL DATA:	
Turns ratio:	14.21 : 1
Inductance	@240V,50Hz =>127.32H (Open circuit)
DCR	@ 20C BLU - RED =95.61 Ω ±20%
	@ 20C BLK - ORG =0.250 Ω ±20%
FREQ. RESP	@ 50W (435.890V), 50Hz - 12kHz±1db (1kHz ref)
Pri. Impedance	435.9V (3800ΩCT)
Sec. Impedance	14.14V @3.5A (4Ω)/20V @2.5A (8Ω)/ 28.28V @1.768A (16Ω)
Power	50 WATTS

HAMMOND ELECTRONICS
52 RANKIN PLACE,
WATERLOO, ONTARIO, N2L 3Z5.
PHONE (519) 886-6181
FAX # (519) 886-9540

TITLE			
OUTPUT TRANSFORMER			
			DR BY IOAN POP
0	05/11/09	PRELIMINARY.	I.P. DATE 05/11/09
NO	DATE	REVISION	DIM IN(X)MM()

1750G