

Excellent Integrated System Limited

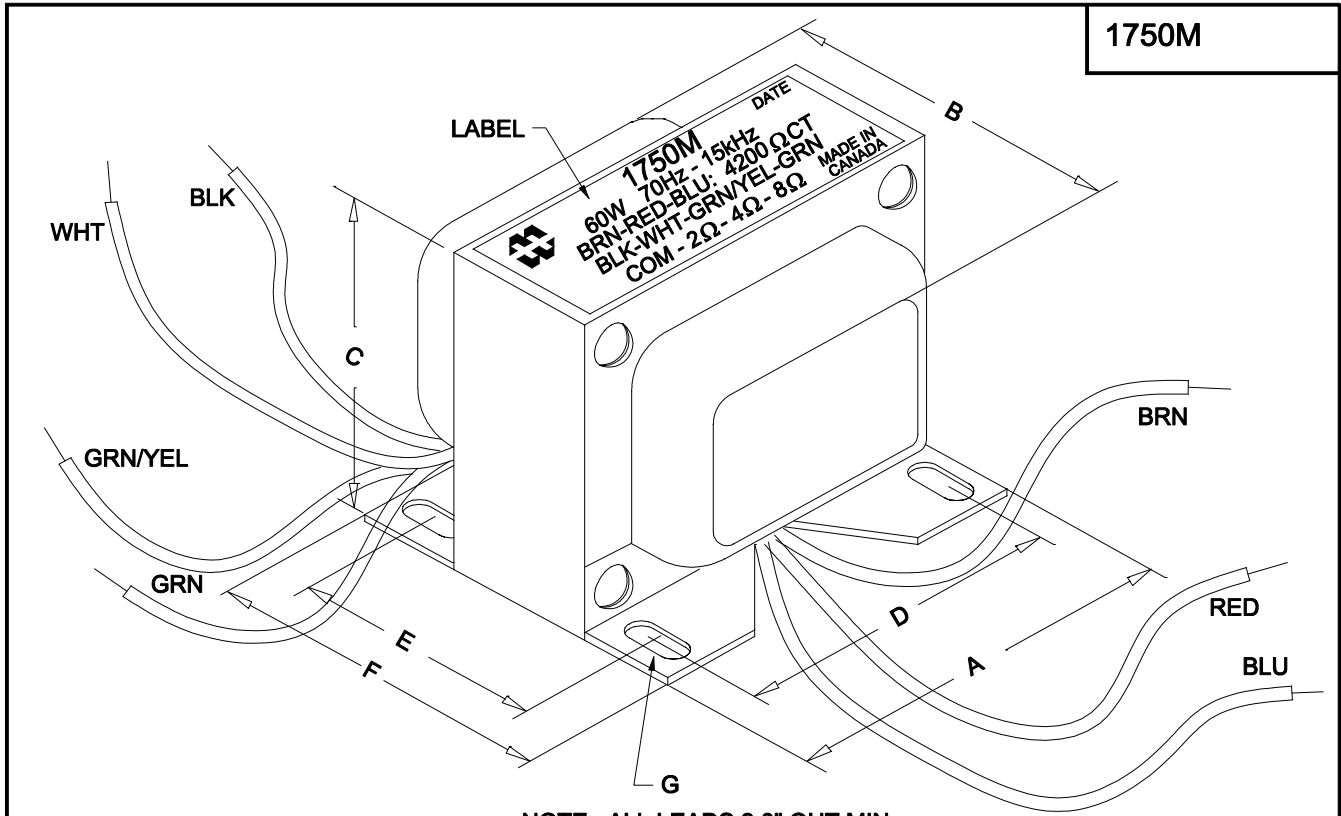
Stocking Distributor

Click to view price, real time Inventory, Delivery & Lifecycle Information:

[Hammond Manufacturing](#)
[1750M](#)

For any questions, you can email us directly:

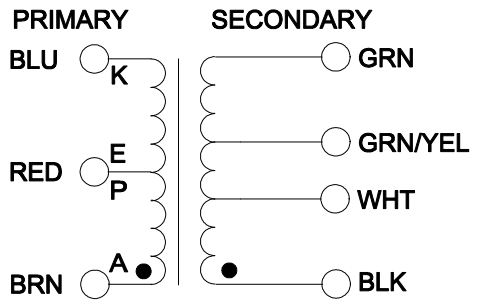
sales@integrated-circuit.com



1750M

NOTE: ALL LEADS 9.0" OUT MIN.

DIMENSIONS:	
A	4.050" ±0.063
B	3.050" ±0.125
C	3.500" ±0.063
D	3.500" ±0.063
E	2.000" ±0.063
F	2.510" ±0.063
G	0.187"X0.300" ±0.015



ELECTRICAL DATA:	
Turns ratio:	22.93 : 1 (8 Ω)
Inductance	@240V,60Hz =>106.10H (Open circuit)
DCR	@ 20C, BLU - BRN = 68.0 Ohm ±20%
	@ 20C, BLK-GRN = 0.160 Ohm ±20%
FREQ. RESP	@60W, 70Hz-15kHz, BRN-BLU ±1db (Ref. 1kHz)
Pri. Impedance	4200Ω (458V) CT
Sec. Impedance	2Ω/4Ω/8 Ω (10V/14.14V/20V)
Power	60 WATTS

HAMMOND ELECTRONICS
52 RANKIN PLACE,
WATERLOO, ONTARIO, N2L 3Z5.
PHONE (519) 886-6181
FAX # (519) 886-9540

TITLE				1750M
Power Transformer				
1	05/24/16	Corrected specifications	D.H. DR BY IOAN POP	
0	05/11/09	RELEASED	I.P. DATE 05/11/09	
NO	DATE	REVISION	DIM IN(X)MM()	