

## Excellent Integrated System Limited

Stocking Distributor

Click to view price, real time Inventory, Delivery & Lifecycle Information:

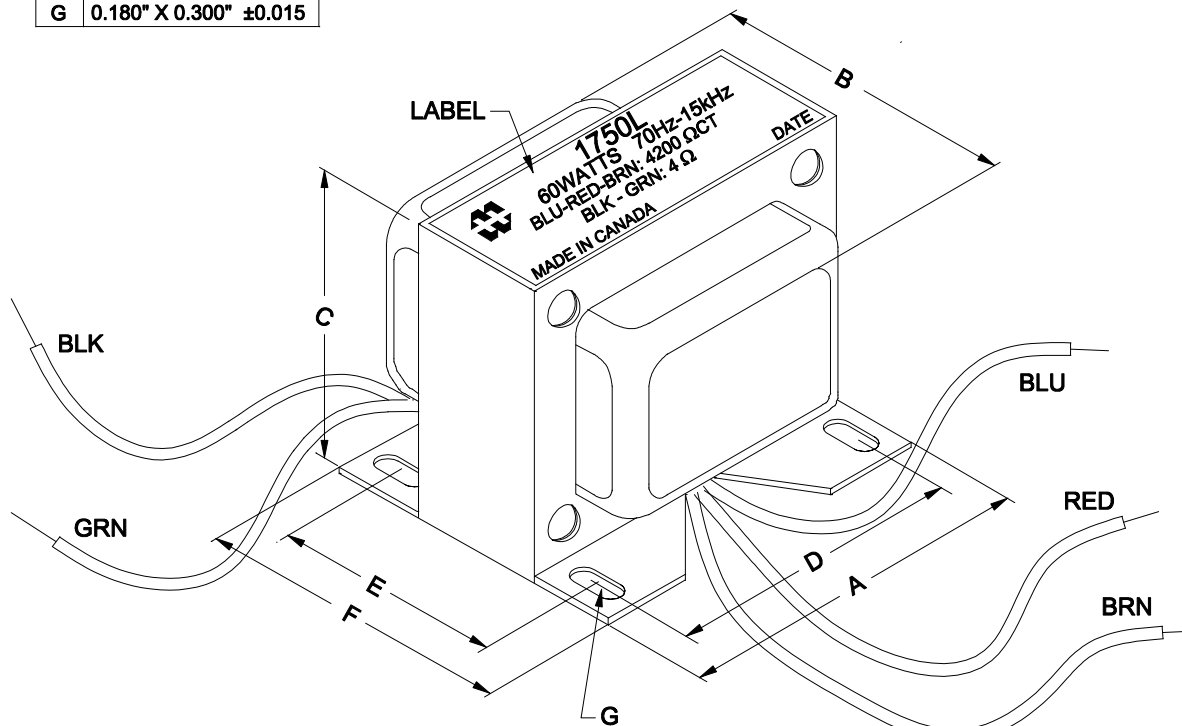
[Hammond Manufacturing](#)  
[1750L](#)

For any questions, you can email us directly:

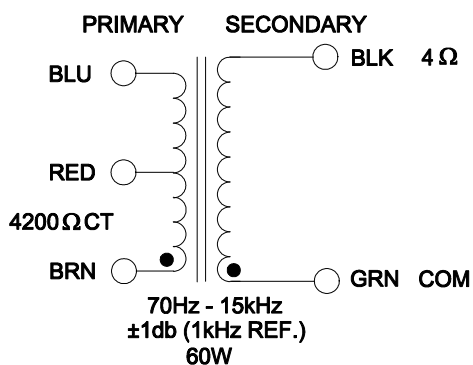
[sales@integrated-circuit.com](mailto:sales@integrated-circuit.com)

**1750L**

DIMENSIONS	
A	4.050" ±0.063
B	3.050" ±0.125
C	3.460" ±0.063
D	3.500" ±0.063
E	1.940" ±0.063
F	
G	0.180" X 0.300" ±0.015



NOTE: ALL LEADS 9.0" OUT MIN.



**ELECTRICAL DATA:**

Turns ratio:	31.16 : 1
Inductance	@240V,60Hz =>106.10H (Open circuit)
DCR	@ 20°C, BRN - RED = 46.48 Ω ±20%
	@ 20°C, RED - BLU = 51.04 Ω ±20%
	@ 20°C, GRN - BLK = 0.170 Ω ±20%
FREQ. RESP	@ 60W, 70Hz - 15kHz REF. TO 1kHz ±1dB
Pri. Impedance	4200 Ω CT, 502 V
Sec. Impedance	4 Ω ,15.49V
Power	60 WATTS

**HAMMOND ELECTRONICS**  
 52 RANKIN PLACE,  
 WATERLOO, ONTARIO, N2L 3Z5.  
 PHONE (519) 886-6181  
 FAX # (519) 886-9540

TITLE				1750L	
1750L					
1	06/07/16	Corrected specifications	D.H.		DR BY B.Pervaiz
0	05/11/09	Preliminary	C.I.		DATE 05/11/09
NO	DATE	REVISION	DIM IN(X)MM( )		