

## Excellent Integrated System Limited

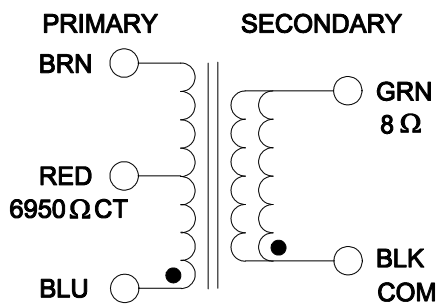
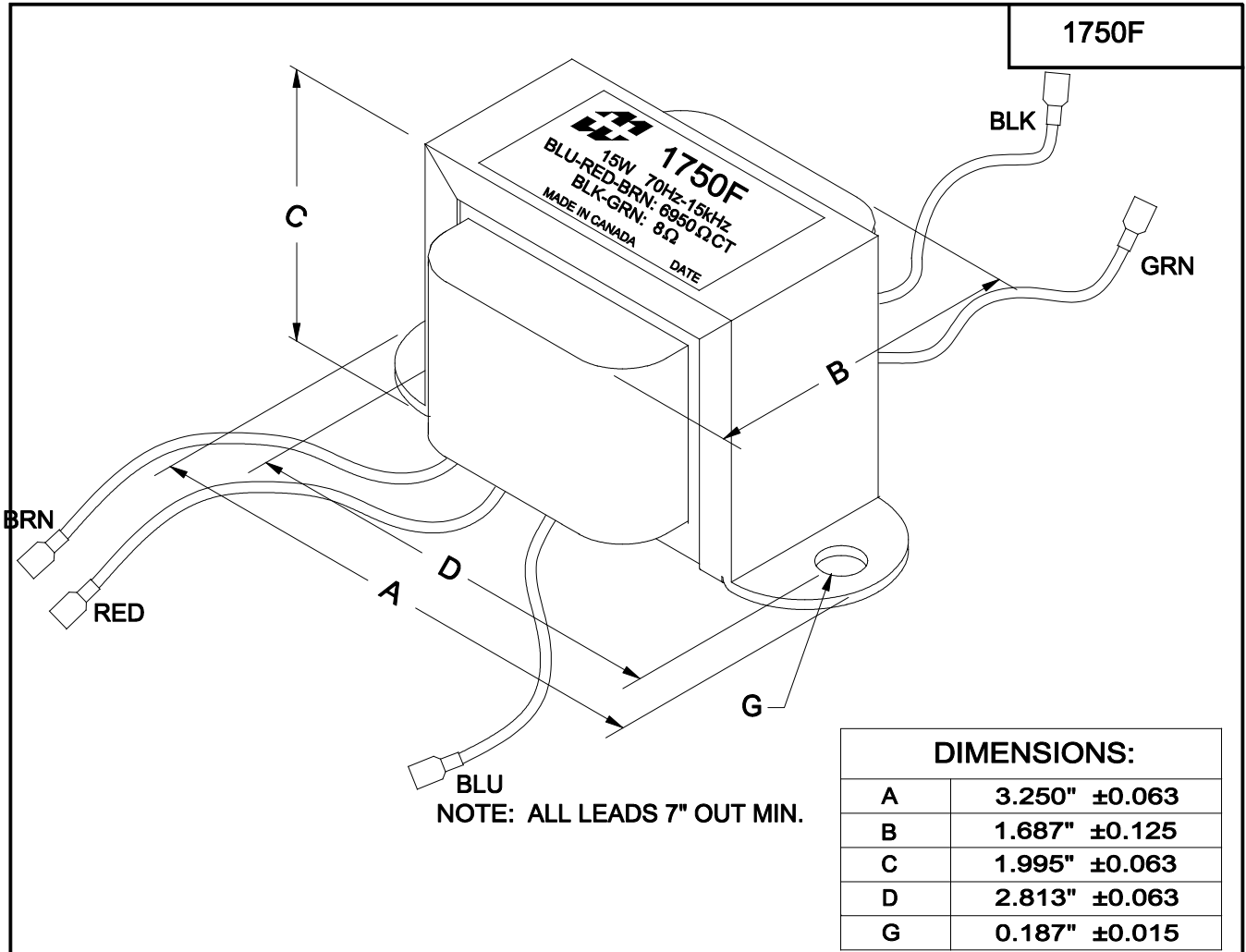
Stocking Distributor

Click to view price, real time Inventory, Delivery & Lifecycle Information:

[Hammond Manufacturing](#)  
[1750F](#)

For any questions, you can email us directly:

[sales@integrated-circuit.com](mailto:sales@integrated-circuit.com)



**ELECTRICAL DATA:**

|                |   |
|----------------|---|
| Turns ratio:   | 29.19 : 1   |
| Inductance     | @240V,70Hz =>27.28H (Open circuit)                  |
| DCR            | @ 20C, BLU - RED =97.36 Ω ±20%                      |
|                | @ 20C, RED - BRN =97.36 Ω ±20%                      |
|                | @ 20C, BLU - BRN =194.7 Ω ±20%                      |
|                | @ 20C, BLK - GRN =0.409 Ω ±20%                      |
| FREQ. RESP     | @ 15W(322.75V), 70Hz-15kHz, BLU-BRN ±1db (Ref.1kHz) |
| Pri. Impedance | 6950 Ω CT(322.75V)                                  |
| Sec. Impedance | 8Ω (10.95V @ 1.370A)                                |
| Power          | 15 WATTS  |



52 RANKIN PLACE,  
WATERLOO, ONTARIO, N2L 3Z5.  
PHONE (519) 886-6181  
FAX # (519) 886-9540

TITLE

**OUTPUT TRANSFORMER**

**1750F**

|    |          |              |                       |
|----|----------|--------------|-----------------------|
|    |          |              | DR BY<br>IOAN POP     |
| 0  | 05/11/09 | PRELIMINARY. | I.P. DATE<br>05/11/09 |
| NO | DATE     | REVISION     | DIM IN(X)MM( )        |