

Excellent Integrated System Limited

Stocking Distributor

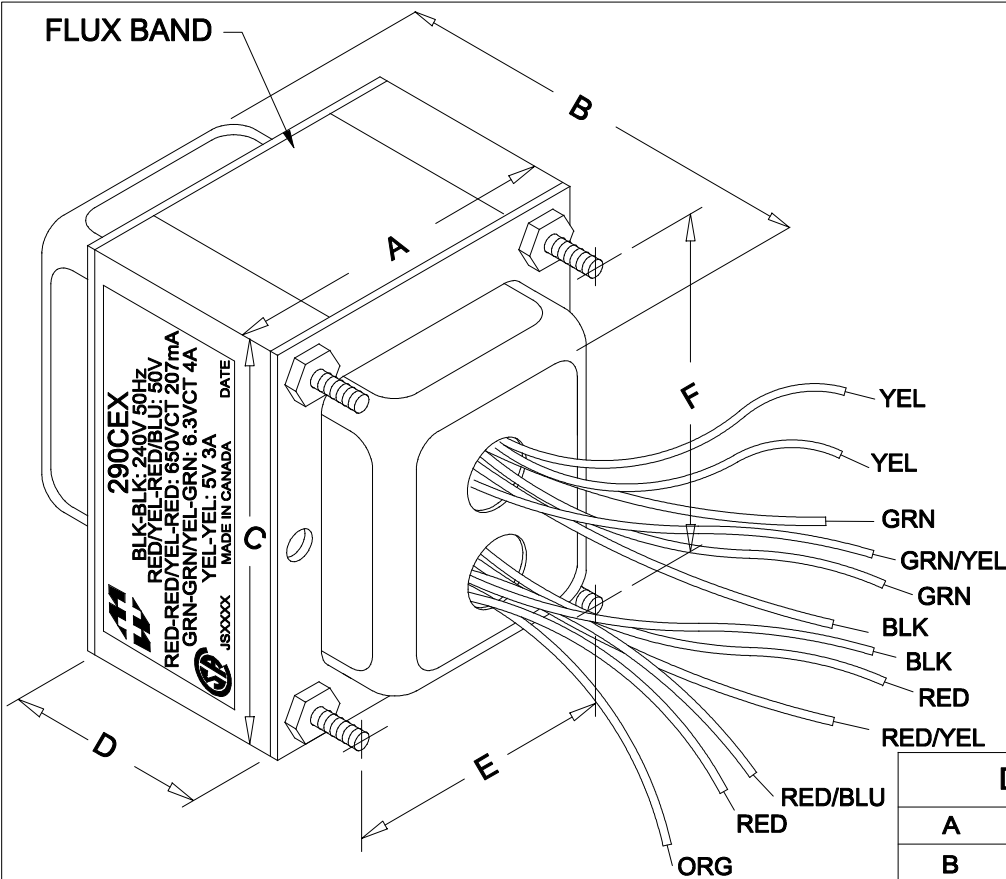
Click to view price, real time Inventory, Delivery & Lifecycle Information:

[Hammond Manufacturing](#)
[290CEX](#)

For any questions, you can email us directly:

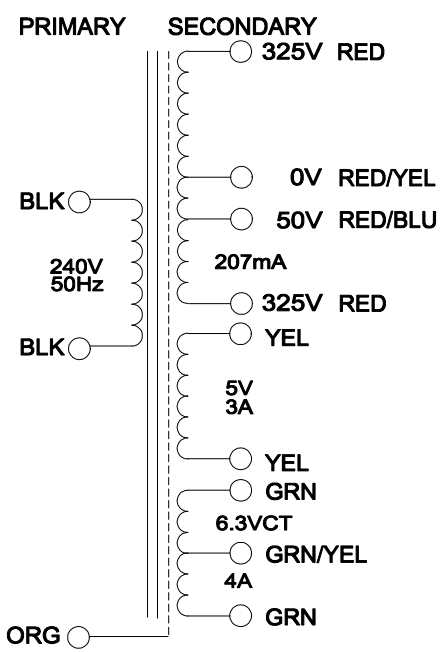
sales@integrated-circuit.com

290CEX



DIMENSIONS:	
A	3.125" ± 0.063
B	4.063" ± 0.125
C	3.750" ± 0.063
D	1.975" ± 0.063
E	2.500" ± 0.063
F	3.125" ± 0.063

NOTE: ALL LEADS 9" OUT MIN., STRIPPED .5"



ELECTRICAL DATA:	
Turns ratio:	1 : 2.98 (RED - RED)
Exciting Current	@ 240V, 50Hz, BLK - BLK = 250mA Max.
DCR	@ 20C, BLK - BLK = 6.171 Ω ±20%
	@ 20C, RED - RED = 83.97 Ω ±20%
	@ 20C, YEL - YEL = 0.042 Ω ±20%
	@ 20C, GRN - GRN = 0.055 Ω ±20%
Pri. Voltage	240V 50Hz
Sec. Voltage (RMS)	650VCT @ 207mA C/W 50V TAP, 5V @ 3A / 6.3VCT @ 4A
No Load Voltage	715.18VCT / 5.30V / 6.75V

HAMMOND ELECTRONICS
52 RANKIN PLACE,
WATERLOO, ONTARIO, N2L 3Z5.
PHONE (519) 886-6181
FAX # (519) 886-9540

TITLE			
<h1>290CEX</h1>			
2	08/11/09		DR BY IOAN POP
1	05/12/09	PRELIMINARY I.P.	DATE 07/04/08
NO	DATE	REVISION	DIM IN(X)MM()

290CEX