

## Excellent Integrated System Limited

Stocking Distributor

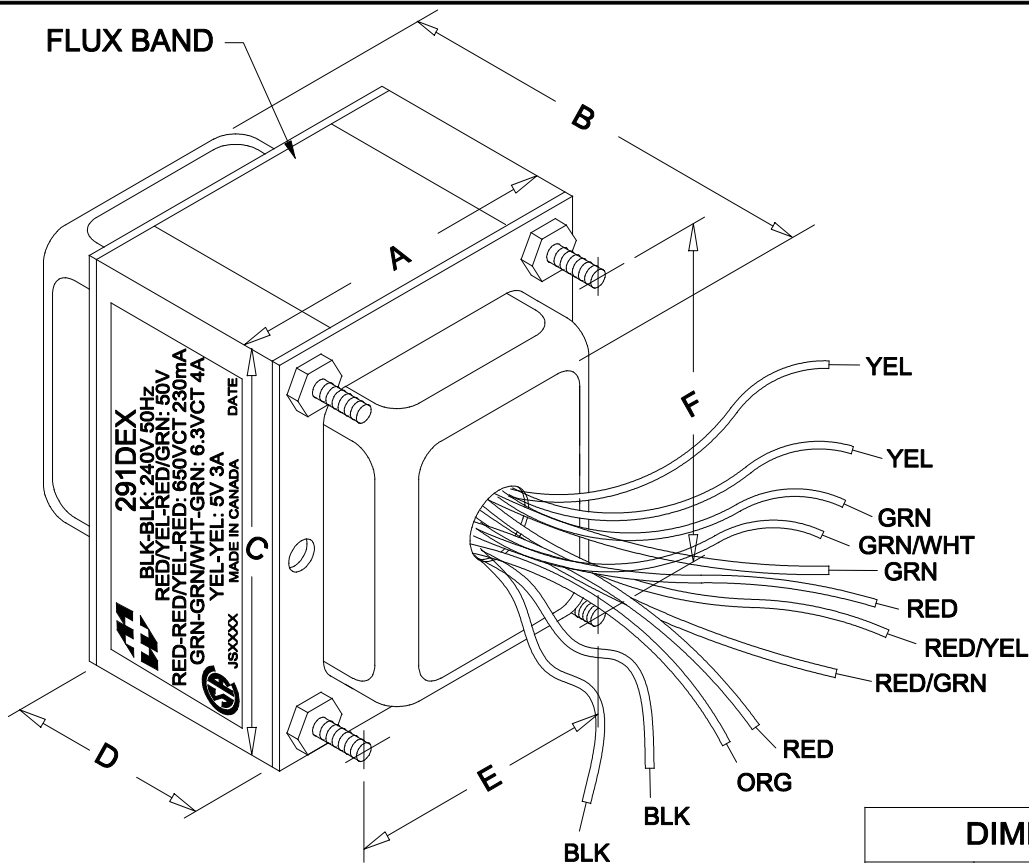
Click to view price, real time Inventory, Delivery & Lifecycle Information:

[Hammond Manufacturing](#)  
[291DEX](#)

For any questions, you can email us directly:

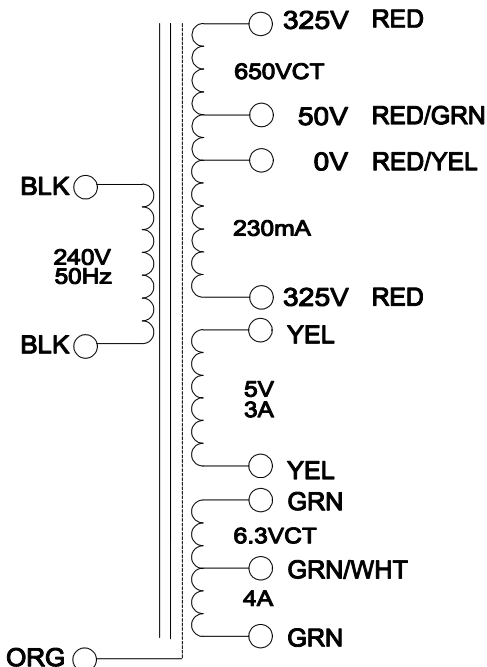
[sales@integrated-circuit.com](mailto:sales@integrated-circuit.com)

291DEX



NOTE: ALL LEADS 9" OUT MIN., STRIPPED .5"

PRIMARY SECONDARY



**DIMENSIONS:**

A	3.438" ±0.063
B	4.063" ±0.125
C	4.125" ±0.063
D	1.844" ±0.063
E	2.750" ±0.063
F	3.438" ±0.063

**ELECTRICAL DATA:**

Turns ratio:	1 : 2.96 ( RED - RED )	
Exciting Current	@ 240V, 50Hz, BLK - BLK = 266mA	Max.
DCR	@ 20C, BLK - BLK = 5.373 Ω	±20%
	@ 20C, RED - RED = 73.72 Ω	±20%
	@ 20C, YEL - YEL = 0.073 Ω	±20%
	@ 20C, GRN - GRN = 0.060 Ω	±20%
Pri. Voltage	240V 50Hz	
Sec. Voltage (RMS)	650VCT @ 230mA C/W 50V TAP, 5V @ 3A / 6.3VCT @ 4A	
No Load Voltage	712.29VCT/ 5.30V / 6.75V	

**HAMMOND ELECTRONICS**  
52 RANKIN PLACE,  
WATERLOO, ONTARIO, N2L 3Z5.  
PHONE (519) 886-6181  
FAX # (519) 886-9540

TITLE		291DEX		291DEX
			DR BY B.Pervaiz	
			DATE 08/25/09	
NO	DATE	REVISION	DIM IN(X)MM( )	