

Excellent Integrated System Limited

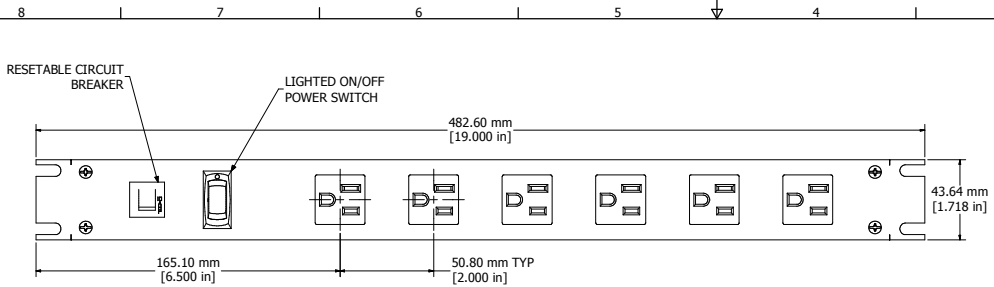
Stocking Distributor

Click to view price, real time Inventory, Delivery & Lifecycle Information:

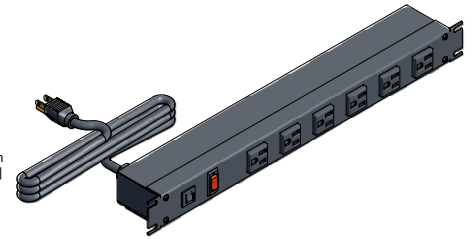
[Hammond Manufacturing](#)
[1583H12A1BKX](#)

For any questions, you can email us directly:

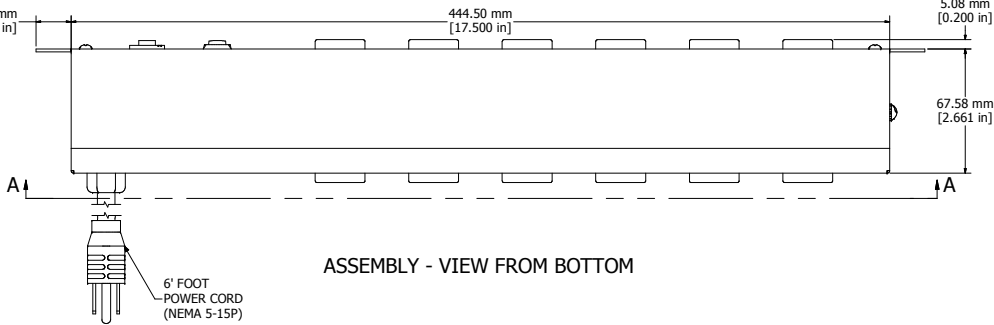
sales@integrated-circuit.com



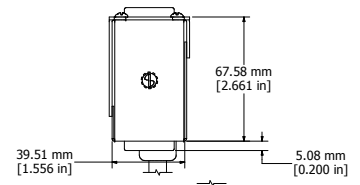
ASSEMBLY - VIEW FROM FRONT



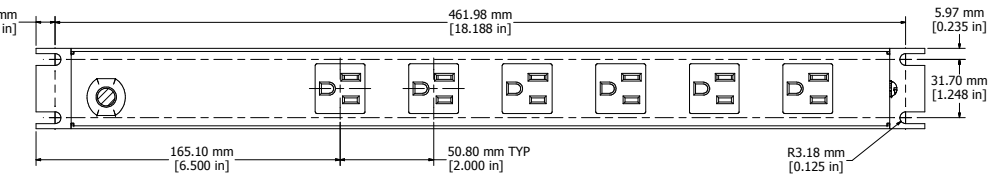
ISOMETRIC VIEW



ASSEMBLY - VIEW FROM BOTTOM



ASSEMBLY - VIEW FROM SIDE



SECTION A-A

1583H12A1BKX	
Finish - Front - Black Painted Steel	Back - Black Painted Steel
Rated - 125 VAC, 60 Hz, 15 Amps	
Approvals - CSA Certified Standards C22.2 (No. 21-95, 42-99)	
- UL Recognized Standard UL1363	
Cord Length	
1583H12A1BKX - 6' Foot Power Cord (NEMA 5-15P)	
1583HT2B1BKX - 15' Foot Power Cord (NEMA 5-15P)	

