

Excellent Integrated System Limited

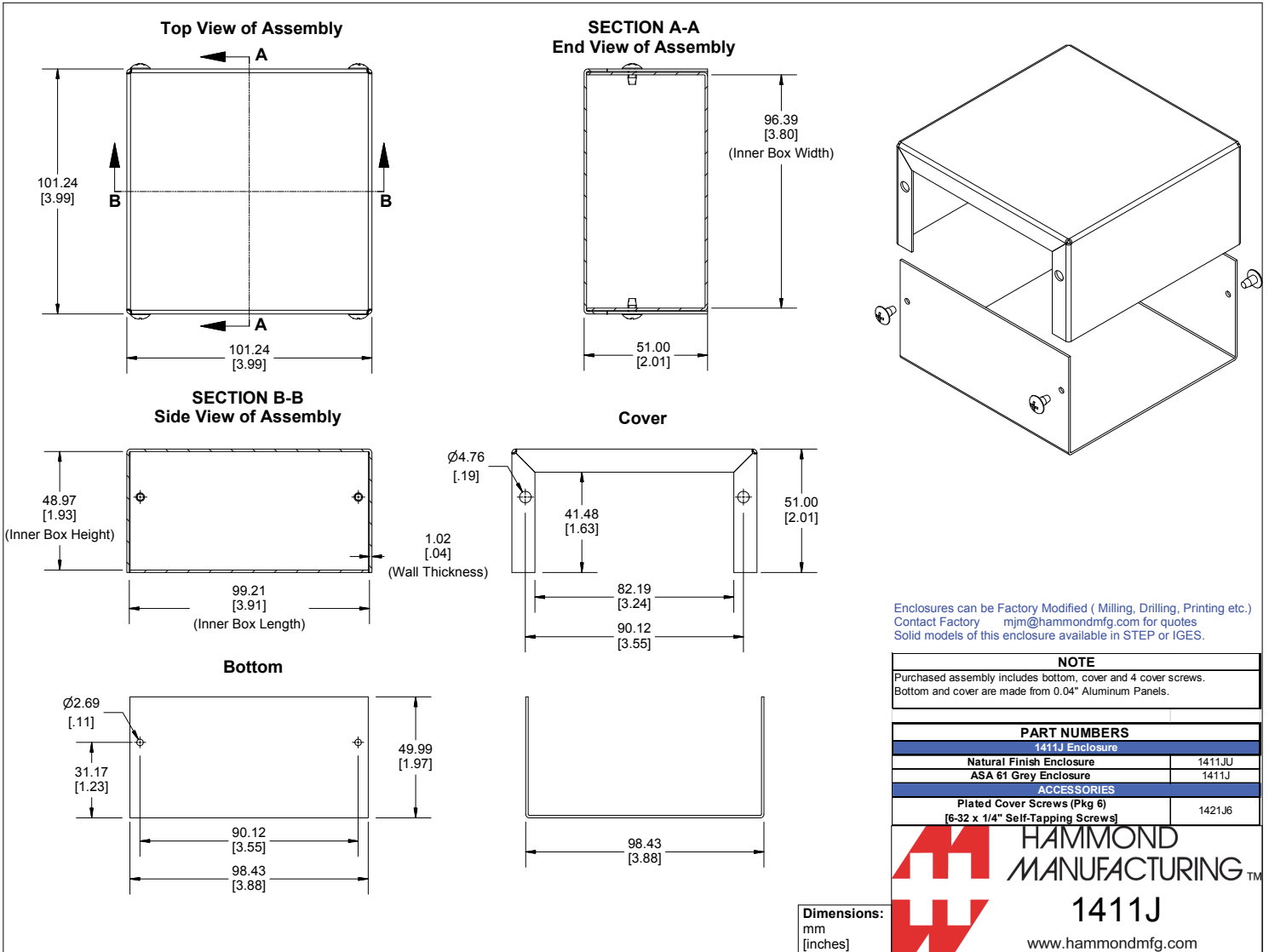
Stocking Distributor

Click to view price, real time Inventory, Delivery & Lifecycle Information:

[Hammond Manufacturing](#)
[1411J](#)

For any questions, you can email us directly:

sales@integrated-circuit.com



Enclosures can be Factory Modified (Milling, Drilling, Printing etc.)
 Contact Factory mjm@hammondmfg.com for quotes
 Solid models of this enclosure available in STEP or IGES.

NOTE
 Purchased assembly includes bottom, cover and 4 cover screws.
 Bottom and cover are made from 0.04" Aluminum Panels.

PART NUMBERS	
1411J Enclosure	
Natural Finish Enclosure	1411JU
ASA 61 Grey Enclosure	1411J
ACCESSORIES	
Plated Cover Screws (Pkg 6) [6-32 x 1/4" Self-Tapping Screws]	1421J6

HAMMOND MANUFACTURING™

1411J

www.hammondmfg.com

Dimensions:
mm
[inches]